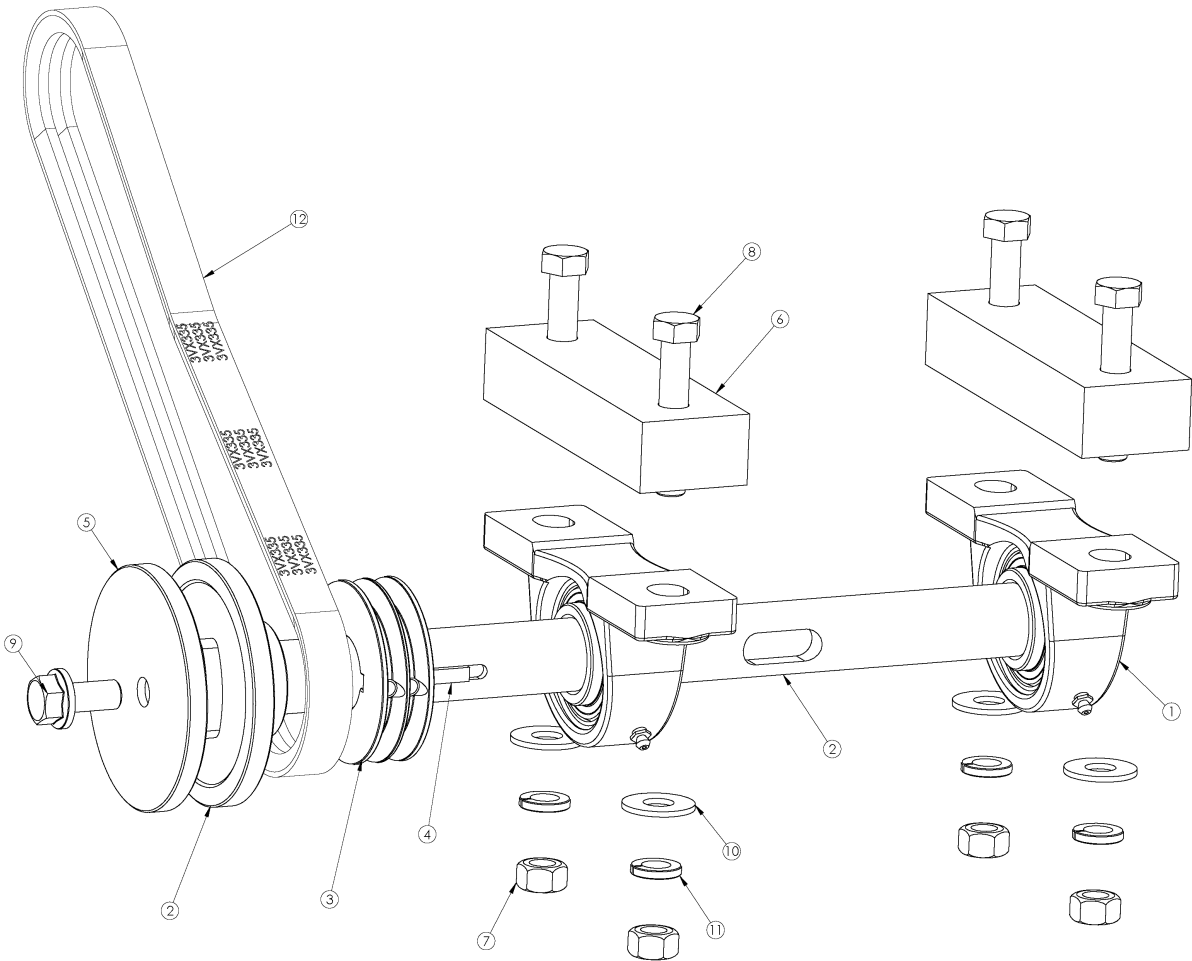




SPARE PARTS LIST

EARLY ENTRY SAWS

SOFF CUT 2000E, 2009-30

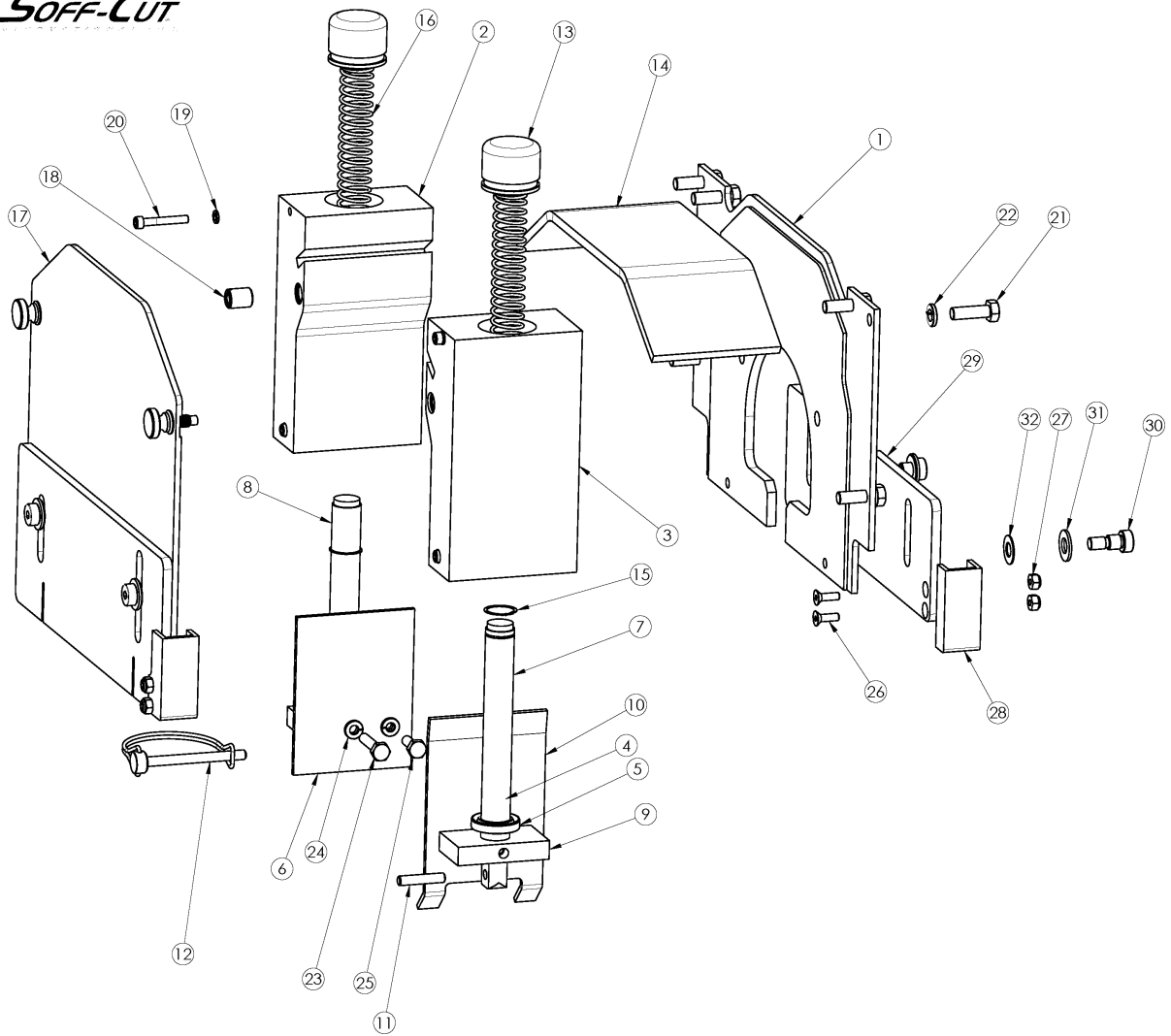


BLADE ARM

SOFF CUT 2000E, 2009-30

Ref	Part No	Description	Remark	QTY KIT
1	505 82 29-01	BLADE SHAFT		2
2	505 57 32-03	SHAFT		1
3	582 04 68-01	PULLEY		1
4	510 31 81-01	KEY		1
5	505 49 15-04	WASHER		1
6	505 81 70-01	BEARING		2
7	505 73 22-01	NUT		4
8	505 72 71-01	HEX BOLT 1/2-20-2 3/4 GR 8		4
9	505 48 37-01	BOLT		1
10	505 73 14-01	FLAT WASH 1/2 X 1 1/4 O.D. S.S		4
11	505 73 11-01	LK WASH 1/2 SPLIT SS		4
12	505 48 39-04	BELT		1

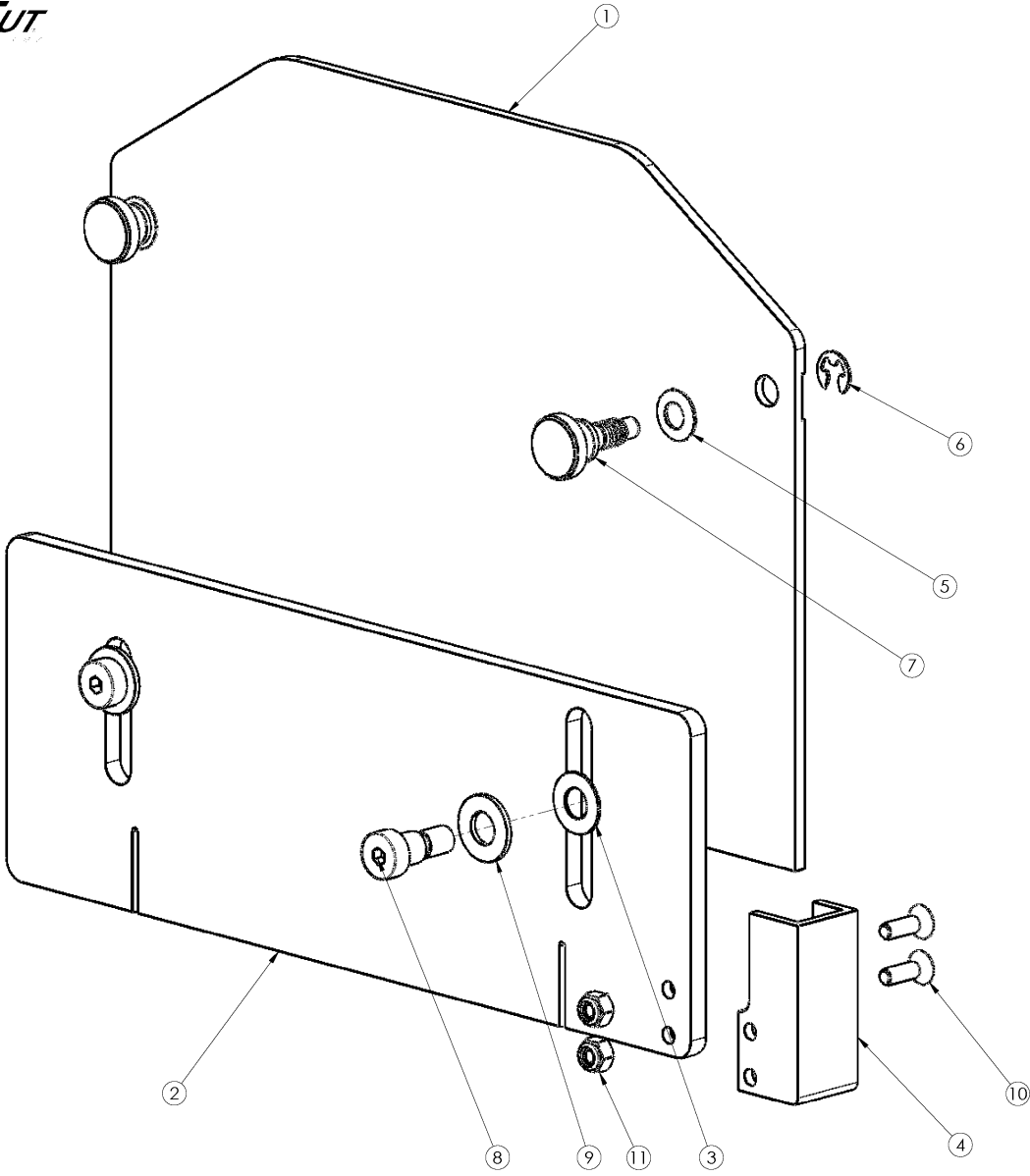
SOFF-CUT
SERRAMENTI



BLADE BLOCK

SOFF CUT 2000E, 2009-30

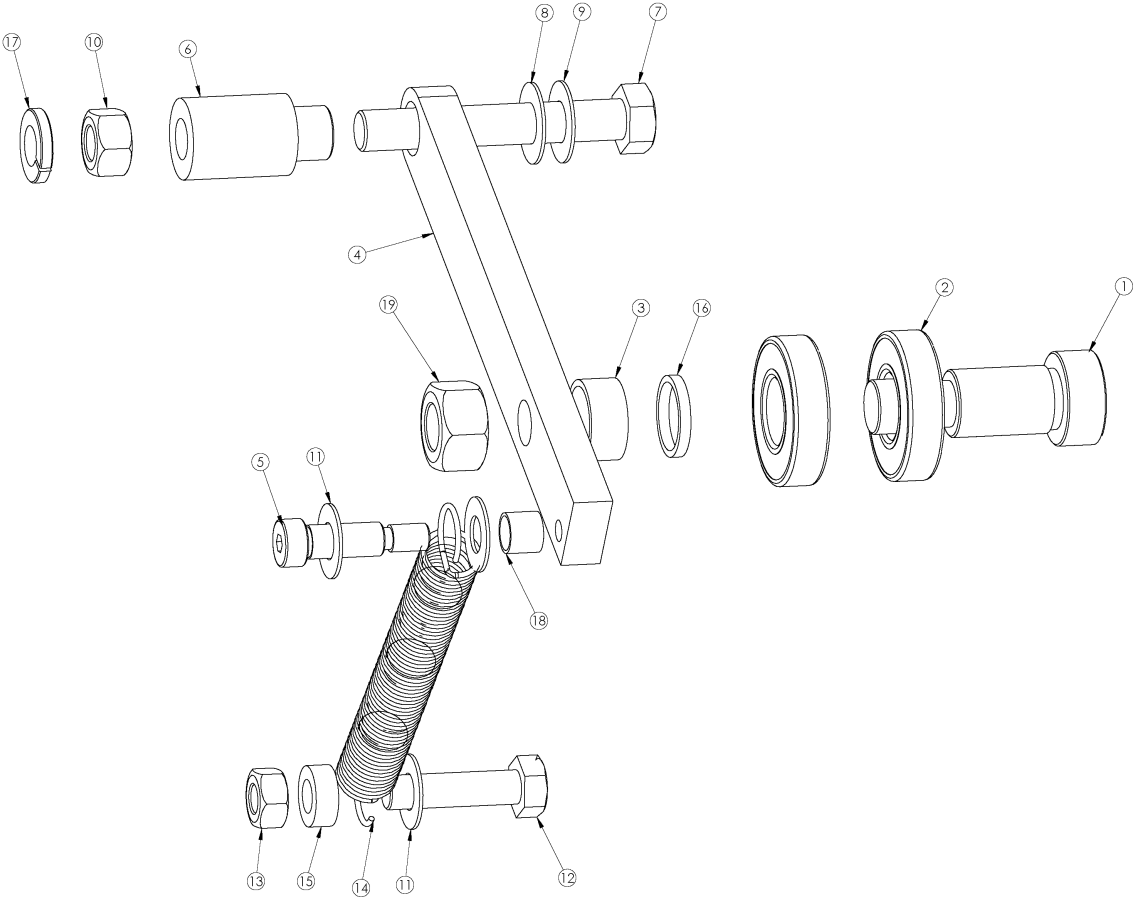
Ref	Part No	Description	Remark	QTY KIT
1	505 81 52-01	B.B. REAR COVER		1
2	505 81 53-01	B.B. REAR BLOCK		1
3	505 81 54-01	B.B. FRONT BLOCK		1
4	505 59 37-01	BRONZE BUSHING 1/4 X 1/2 X 1 1		2
5	505 73 80-01	SEAL		2
6	505 81 47-01	B.B. REAR DIVERTER		1
7	505 81 48-01	B.B. FRONT SHAFT		1
8	505 81 49-01	B.B. REAR SHAFT		1
9	505 83 98-01	BLOCK		2
10	505 81 45-01	B.B. FRONT DIVERTER		1
11	505 77 40-01	PLATE		1
12	505 77 54-01	PIN		1
13	505 81 50-01	B.B. CAP		2
14	505 81 57-01	BELT		1
15	505 74 84-01	SPIRAL RETAINING RING		2
16	505 73 72-01	SPRING		2
17	574 23 49-07	ASSEMBLY		1
18	505 74 83-01	INSERT		2
19	505 63 31-01	LK WASH #10 SPLIT SS		4
20	505 59 14-01	SHC 10-32X1 1/4 S.S.		4
21	505 72 75-01	HEX BOLT 5/16-18-1 CAD GR 5		6
22	505 63 30-01	LK WASH 5/16 SPLIT SS		6
23	505 72 83-01	HEX BOLT 1/4-20 X 1 1/4" ALL T		2
24	505 63 28-01	LK WASH 1/4 SPLIT SS		4
25	505 62 75-01	HEX BOLT 1/4-20-3/4 S.S.		2
26	505 73 02-01	FHS 10-24-5/8 S.S.		2
27	505 63 04-01	NYLOC NUT #10-24 CAD.PL.		2
28	505 81 93-01	INNER DIVERTER CHANNEL		1
29	505 81 55-01	INNER LEXAN		1
30	505 72 61-01	SHSB 3/8 X 3/8 BLK STL		2
31	505 72 46-01	FLAT WASH 3/8 STL CAD		2
32	505 63 45-01	FLAT WSHR .750X.379 X.031 DEL		2



BLADE BLOCK COVER

SOFF CUT 2000E, 2009-30

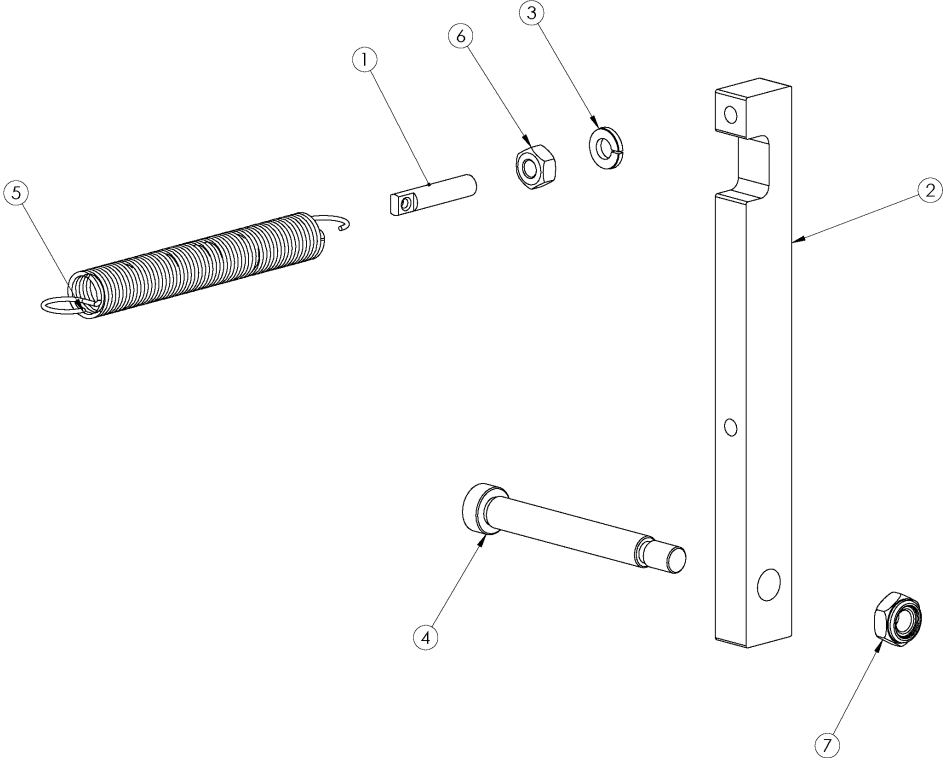
Ref	Part No	Description	Remark	QTY KIT
1	505 81 51-01	FRONT COVER		1
2	505 81 56-01	PLATE		1
3	505 63 45-01	FLAT WSHR .750X.379 X.031 DEL		2
4	505 81 94-01	PLATE		1
5	505 53 64-01	WASHER		2
6	505 53 65-01	E-CLIP		2
7	505 53 63-01	KNOB		2
8	505 72 61-01	SHSB 3/8 X 3/8 BLK STL		2
9	505 72 46-01	FLAT WASH 3/8 STL CAD		2
10	505 73 02-01	FHS 10-24-5/8 S.S.		2
11	516 00 65-03	BLOCK		2



BLADE IDLER PULLEY

SOFF CUT 2000E, 2009-30

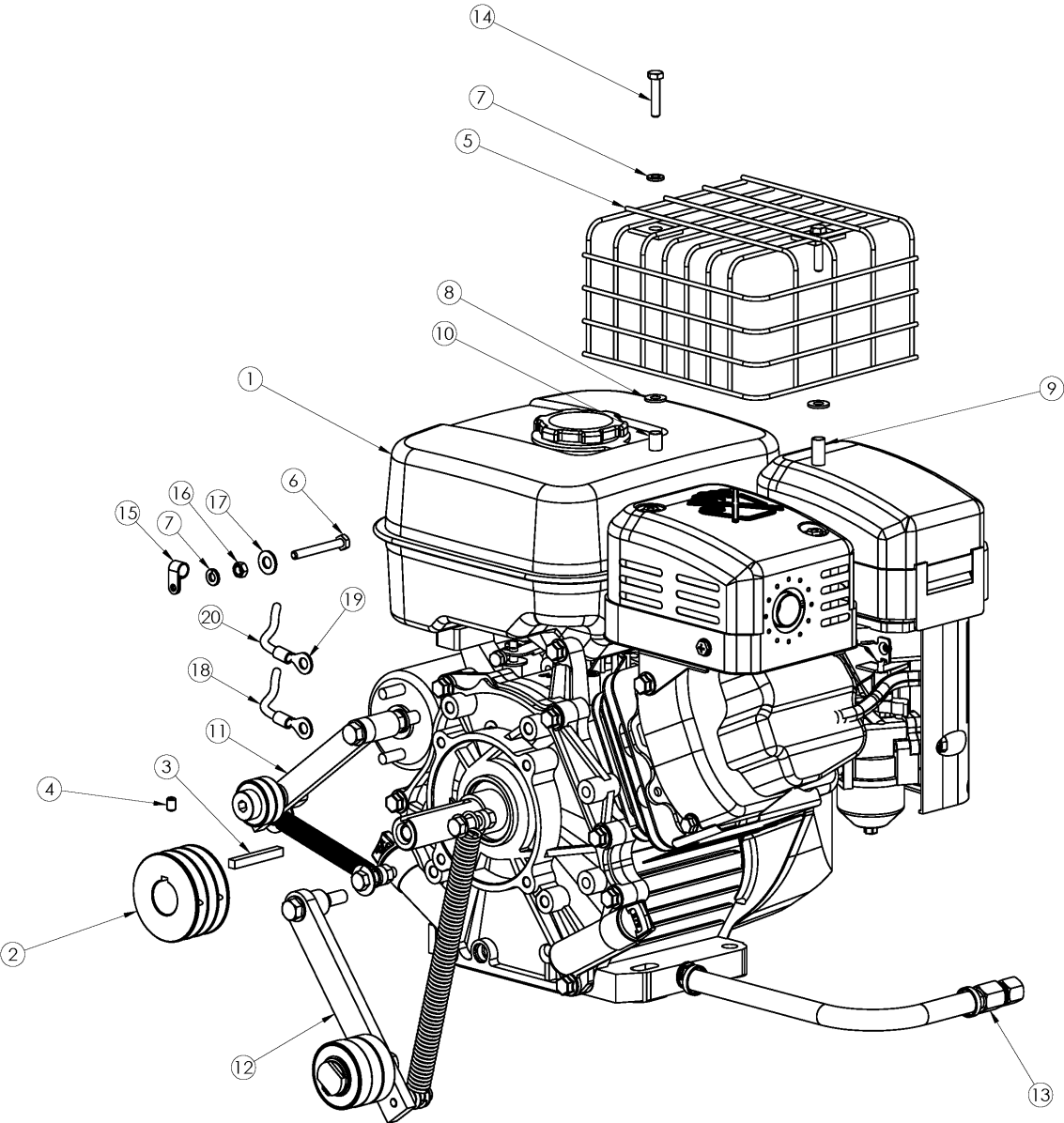
Ref	Part No	Description	Remark	QTY KIT
1	505 81 18-01	SHSB 5/8 X 1		1
2	505 73 60-01	PULLEY		2
3	505 71 46-02	SPACER		1
4	505 58 73-01	ARM		1
5	505 72 64-01	SHSB 5/16 X 3/4 BLK STL		1
6	505 81 60-01	SPACER		1
7	505 82 13-01	HEX BOLT 3/8-16 X 2 1/2 S.S.		1
8	505 63 45-01	FLAT WSHR .750X.379 X.031 DEL		1
9	505 63 42-01	FLAT WSHR.750 X .375 X .031 SS		1
10	505 73 21-01	NUT		1
11	505 72 52-01	WASHER		3
12	505 82 16-01	HEX BOLT 5/16-24X1 1/4 GR 5		1
13	505 73 28-01	5/16-24 HEX JAM NUT ZINC		1
14	505 73 79-01	SPRING		1
15	505 80 17-01	SPACER BLD IDLR PULLEY SPRING		1
16	505 71 46-03	SPACER		1
17	505 73 10-01	LK WASH 3/8 SPLIT SS		1
18	505 71 79-01	BUSHING.G.A.(.315 SPACER)		1
19	505 83 36-01	NUT		1



BLADE RELEASE ARM

SOFF CUT 2000E, 2009-30

Ref	Part No	Description	Remark	QTY KIT
1	505 77 45-01	SPRING ANCHORS		1
2	505 81 72-01	BLADE RELEASE ARM		1
3	505 63 28-01	LK WASH 1/4 SPLIT SS		1
4	505 82 08-01	SHSB 3/8 X 2 1/2 BLACK		1
5	505 73 79-01	SPRING		1
6	505 63 19-01	JAM NUT 1/4-20 STAINLESS STEEL		1
7	505 63 17-01	NYLOC NUT 5/16-18 .265"HT.		1

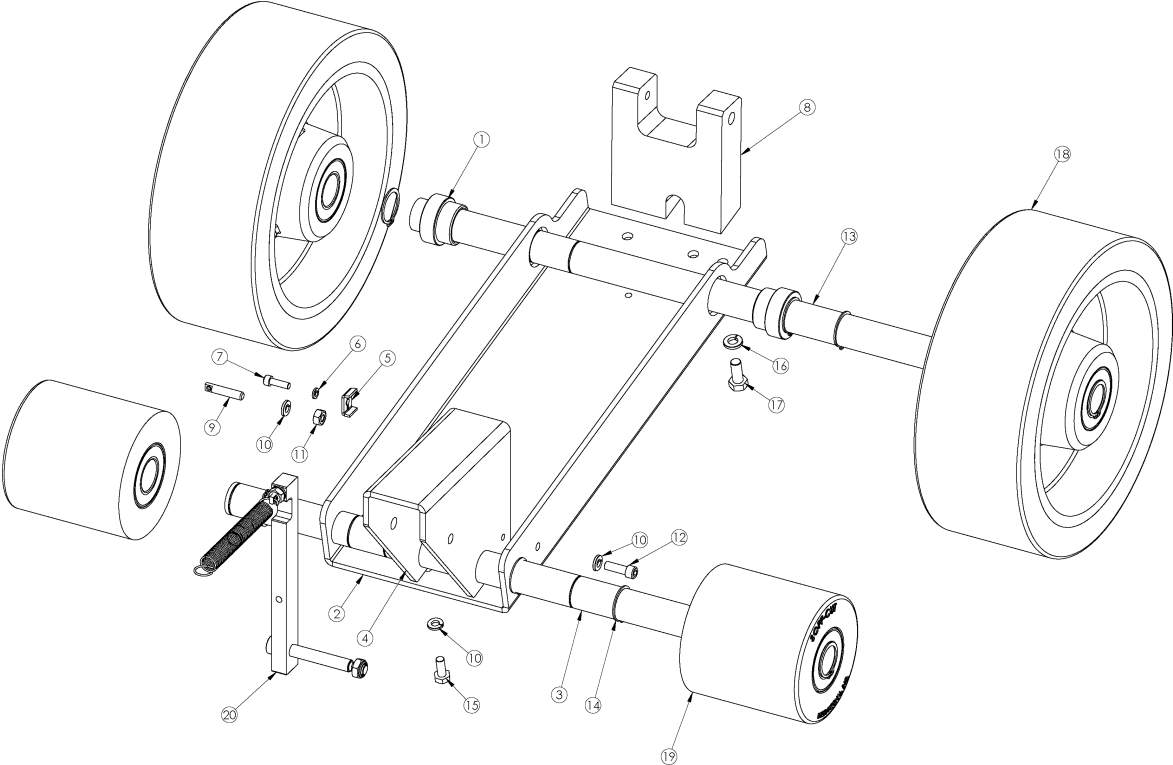


ENGINE

SOFF CUT 2000E, 2009-30

Ref	Part No	Description	Remark	QTY KIT
1	505 82 45-01	ENGINE		1
2	505 74 01-01	PULLEY		1
3	521 89 52-01	KEY		1
4	505 73 38-01	SET SCREW 1/4-20-3/8 KNURLED P		4
5	505 81 95-01	MUFFLER GUARD		1
6	505 82 18-01	HEX BOLT 6MM X 50 MM		1
7	505 63 28-01	LK WASH 1/4 SPLIT SS		3
8	505 63 20-01	WASHER		2
9	505 68 44-01	3/8 O.D. X .770 LONG X .028 WA		1
10	510 34 61-01	SPACER		1
11	505 85 68-01	PUMP		1
12	510 27 17-07	ASSEMBLY		1
13	505 85 75-04	KIT		1
14	725237401	TBD		2
15	505 74 87-01	CBL CLAMP 3/8"		1
16	731 23 16-01	HEXAGON NUT		1
17	505 63 21-01	WASHER		1
18	510 33 11-01	WIRE		1
19	505 75 32-01	RING TONGUE NYLON INS DBL INS.		2
20	510 33 10-01	WIRE		1

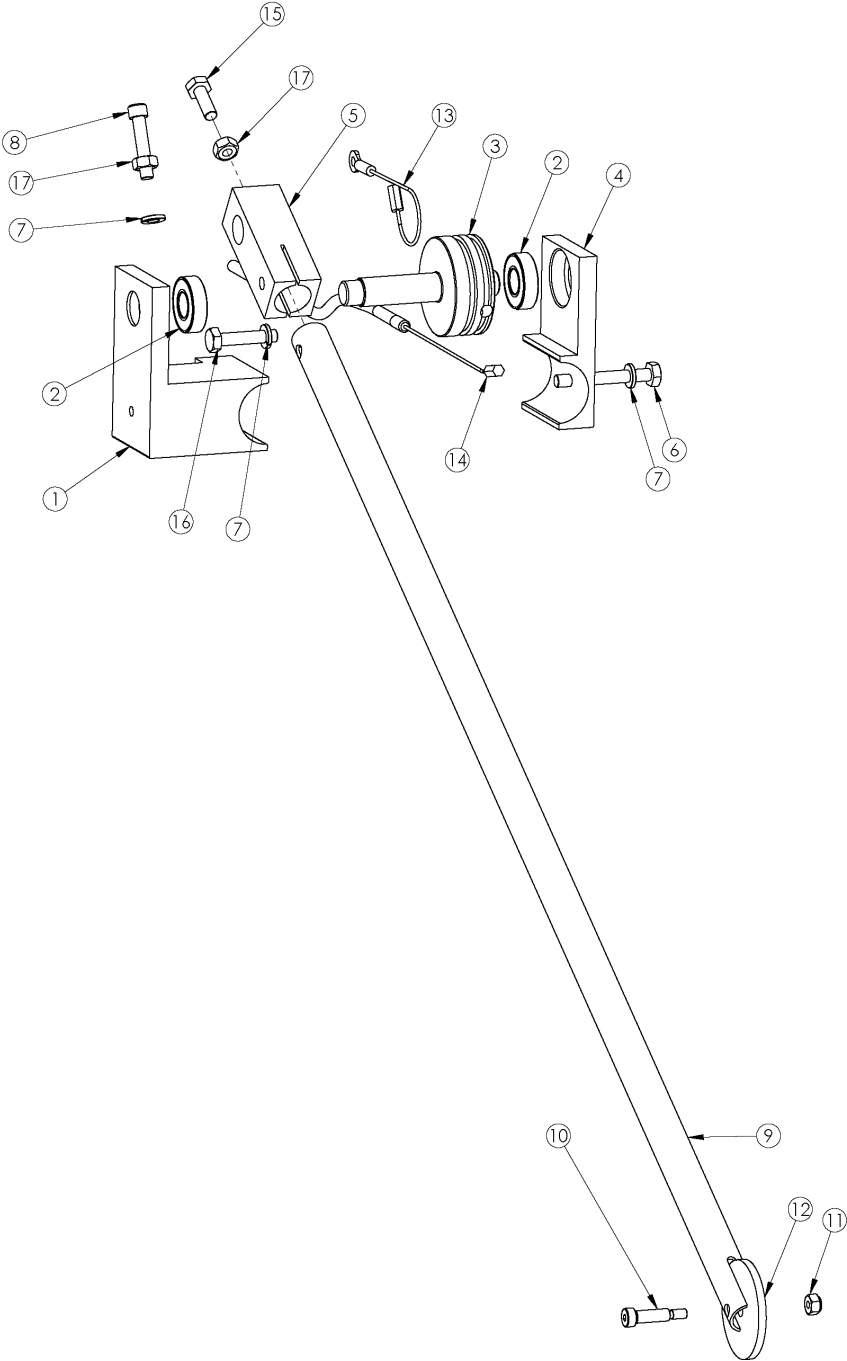
SOFF-CUT



FRON WHEEL CARRIAGE

SOFF CUT 2000E, 2009-30

Ref	Part No	Description	Remark	QTY KIT
1	505 65 51-01	BUSHING		2
2	505 81 77-01	FRONT WHEEL CARRIAGE		1
3	505 81 73-01	AXLE		1
4	505 81 79-01	DEPTH STOP BRACKET		1
5	505 64 89-01	BOLT		1
6	505 63 31-01	LK WASH #10 SPLIT SS		1
7	505 72 97-01	SHC 10-32 X 5/8 S.S.		1
8	505 81 91-01	PUMP SUPPORT BLOCK		1
9	505 77 45-01	SPRING ANCHORS		1
10	505 63 28-01	LK WASH 1/4 SPLIT SS		3
11	505 63 19-01	JAM NUT 1/4-20 STAINLESS STEEL		1
12	505 62 78-01	SHC 1/4-20-3/4 S.S.		1
13	505 81 74-01	AXLE		1
14	505 73 34-01	SNAP RING		8
15	505 62 74-01	HEX BOLT 1/4-20-5/8 S.S.		1
16	505 63 30-01	LK WASH 5/16 SPLIT SS		2
17	505 82 10-01	HEX BOLT 5/16 - 18 X 3/4 GR 5		2
18	505 86 45-01	WHEEL		2
19	505 86 44-01	WHEEL		2
20	510 27 27-07	ASSEMBLY		1

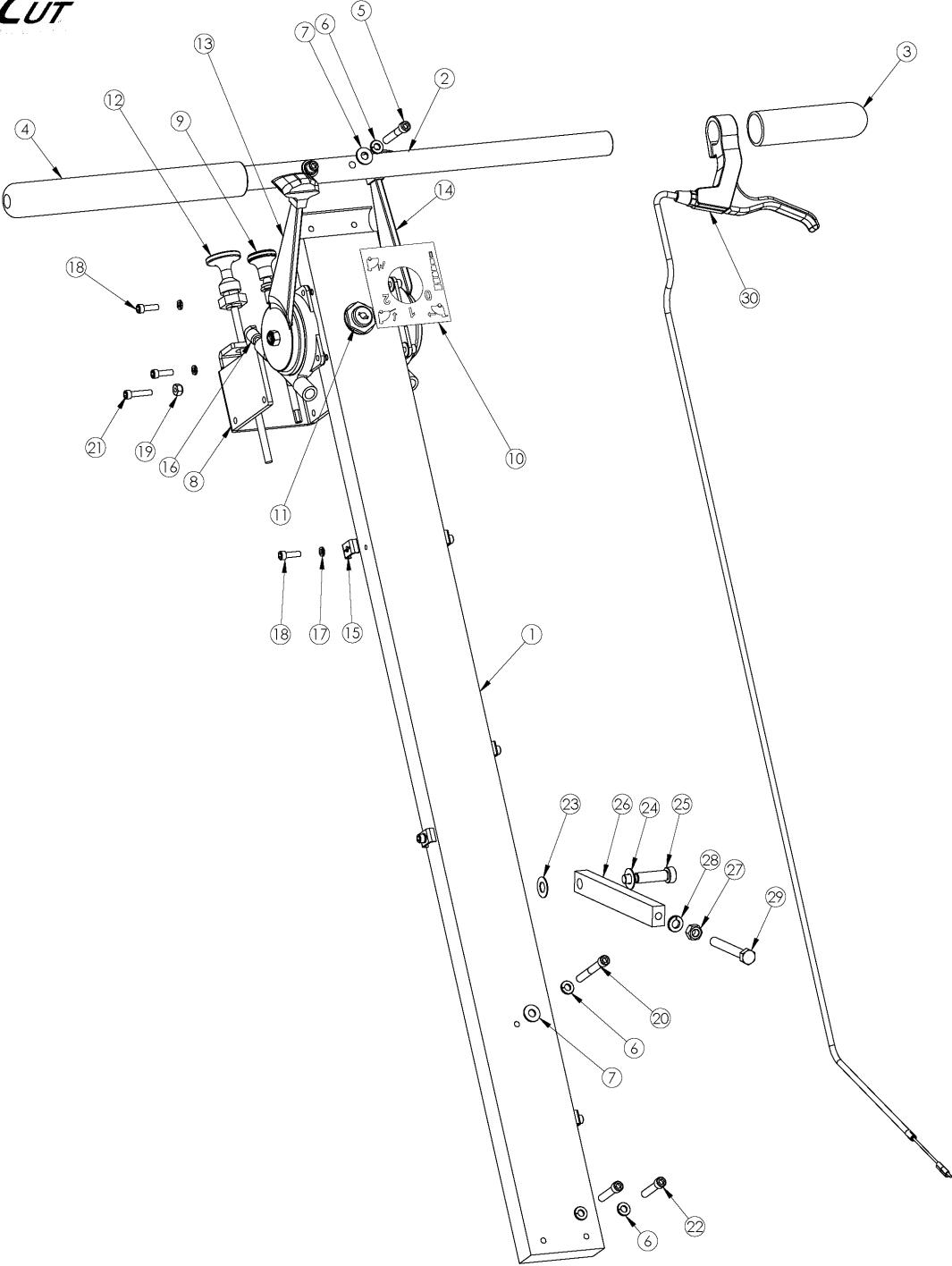


GUIDE

SOFF CUT 2000E, 2009-30

Ref	Part No	Description	Remark	QTY KIT
1	505 81 64-01	PULLEY MOUNTING BLOCK LARGE		1
2	505 65 48-01	BALL BEARING		2
3	505 81 61-01	GUIDE		1
4	505 81 63-01	PULLEY MOUNTING BLOCK SMALL		1
5	505 81 62-01	GUIDE ARM MOUNTING BLOCK		1
6	505 72 81-01	HEX BOLT 1/4-20-2 S.S. ALL THR		1
7	505 63 28-01	LK WASH 1/4 SPLIT SS		3
8	505 62 80-01	SHC 1/4-20-1 1/4 S.S.		1
9	505 67 73-01	GUIDE		1
10	505 72 58-01	SHSB 1/4 X 3/4 BLK STL		1
11	505 63 04-01	NYLOC NUT #10-24 CAD.PL.		1
12	505 61 42-01	DISC		1
13	505 82 33-01	CABLE		1
14	505 82 31-01	GUIDE		1
15	505 62 75-01	HEX BOLT 1/4-20-3/4 S.S.		1
16	505 72 83-01	HEX BOLT 1/4-20 X 1 1/4" ALL T		1
17	505 63 19-01	JAM NUT 1/4-20 STAINLESS STEEL		2

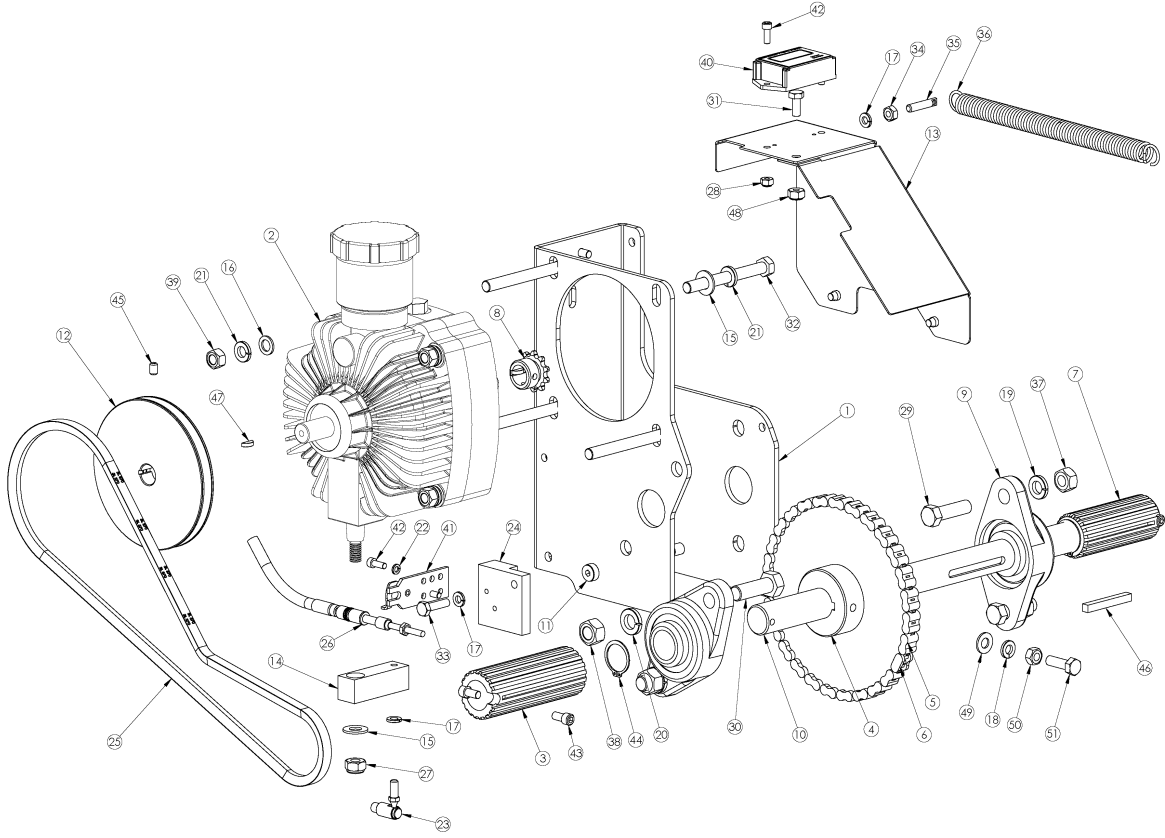
SOFF-CUT
www.soffcut.com



HANDLE

SOFF CUT 2000E, 2009-30

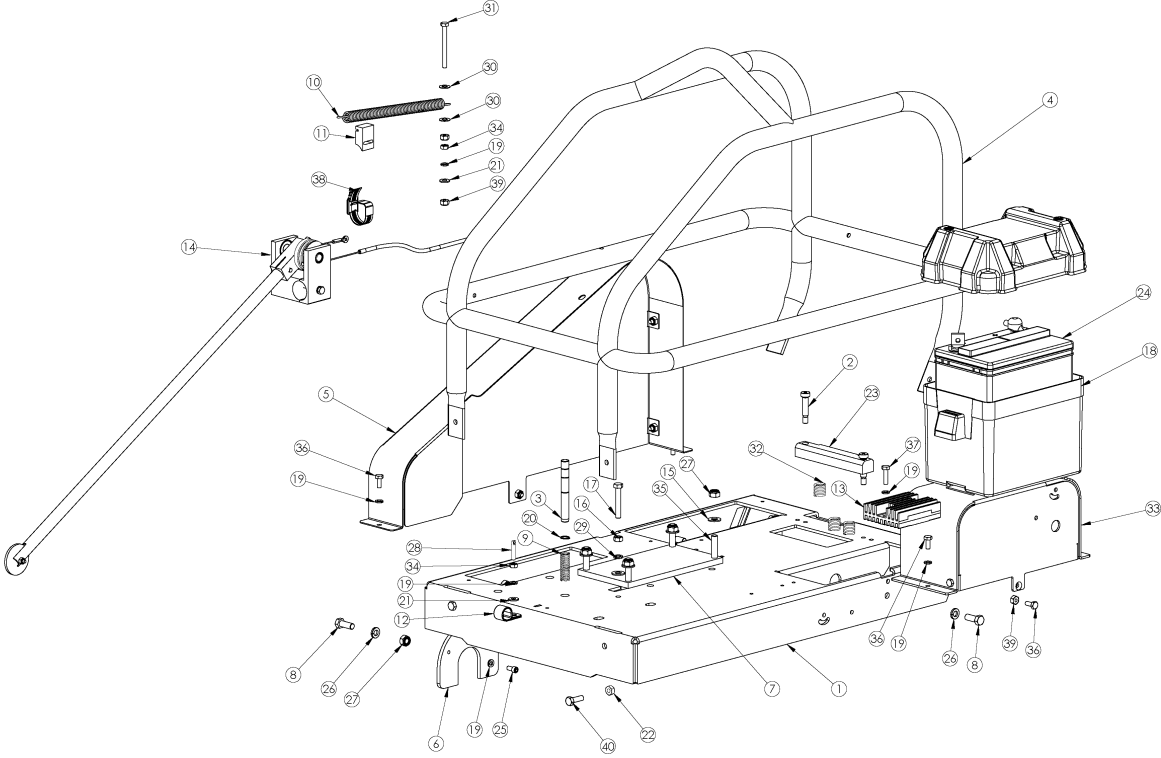
Ref	Part No	Description	Remark	QTY KIT
1	505 81 89-01	HANDLE		1
2	505 81 65-01	HANDLEBAR		1
3	505 80 28-01	.840 X 4.5 X .125 CLOSED END B		1
4	505 81 32-01	CBL FOR THROTTLE		1
5	505 72 88-01	SHC 1/4-20-1 1/2 S.S.		2
6	505 63 28-01	LK WASH 1/4 SPLIT SS		5
7	505 63 20-01	WASHER		3
8	505 81 68-01	CONTROL MOUNT BRACKET		1
9	505 82 74-01	CHOKE		1
10	510 34 15-01	STICKER. LABEL CONTROL		1
11	505 82 39-01	KEY SWITCH		1
12	505 84 29-01	THROTLLE CABLE. LOCKING		1
13	505 82 36-01	CONTROL LEVER		1
14	505 82 36-01	CONTROL LEVER		1
15	505 64 89-01	BOLT		5
16	505 82 24-01	SET SCREW 7/16-20X1/2		2
17	505 63 31-01	LK WASH #10 SPLIT SS		9
18	505 72 97-01	SHC 10-32 X 5/8 S.S.		9
19	505 82 22-01	NYLOC NUT 10-32 S.S.		2
20	505 72 89-01	SHC 1/4-20-2 S.S.		1
21	505 77 28-01	SHC 10-32 X 7/8 SS		2
22	505 62 80-01	SHC 1/4-20-1 1/4 S.S.		2
23	505 63 45-01	FLAT WSHR .750X.379 X.031 DEL		1
24	505 72 45-01	FLAT WASH STL TRA613		1
25	505 82 07-01	SHSB 3/8 X 1 1/4 BLACK		1
26	505 81 81-01	PUMP RELEASE ARM		1
27	505 72 35-01	NUT		1
28	505 63 30-01	LK WASH 5/16 SPLIT SS		1
29	505 60 16-01	HEX BOLT 5/16-18-2 1/2 GR. 8		1
30	505 86 43-01	BLADE		1



HYDRAULIC PUMP - MOTOR

SOFF CUT 2000E, 2009-30

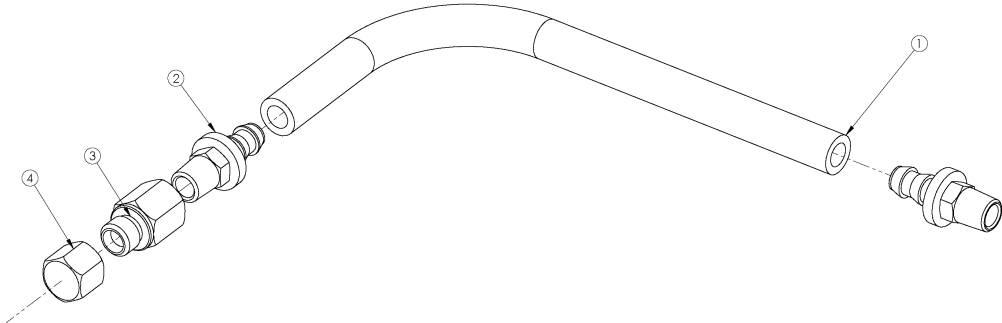
Ref	Part No	Description	Remark	QTY KIT
1	505 81 84-01	PUMP SUPPORT FRAME		1
2	505 73 83-01	HYDROSTATIC PEDAL ASSY		1
3	505 71 51-01	DRIVER		1
4	510 34 66-01	SPROCKET. 54T		1
5	505 73 95-01	CHAIN ROLLER #35		1
6	505 73 96-01	CONNECTING LINK #35		1
7	505 71 52-01	DRIVER		1
8	505 66 74-01	SPROCKET		1
9	505 68 98-01	BLADE SHAFT		2
10	505 81 82-01	PUMP DRIVE SHAFT		1
11	505 62 71-01	SHSH BOLT 3/8 X 5/8 BLK STL		2
12	505 73 98-01	PULLEY PUMP 1/3V 5.00 X 17 MM		1
13	505 81 85-01	PUMP COVER		1
14	505 81 71-01	SPEED CONTROL ARM		1
15	505 72 46-01	FLAT WASH 3/8 STL CAD		5
16	505 72 40-01	FLAT WASH 3/8 AN 960 WASHERS U		4
17	505 63 28-01	LK WASH 1/4 SPLIT SS		6
18	505 63 30-01	LK WASH 5/16 SPLIT SS		1
19	505 73 12-01	LK WASH 7/16 SPLIT SS		2
20	505 73 11-01	LK WASH 1/2 SPLIT SS		2
21	505 73 10-01	LK WASH 3/8 SPLIT SS		8
22	505 63 31-01	LK WASH #10 SPLIT SS		2
23	505 82 35-01	BALL JOINT		1
24	510 34 31-01	BLOCK. CABLE MOUNT		1
25	505 48 40-02	BELT		1
26	505 82 30-01	CONTROL CABLE		1
27	505 72 34-01	NUT		1
28	505 82 22-01	NYLOC NUT 10-32 S.S.		2
29	505 82 14-01	HEX BOLT 7/16-14X 1 1/2 GR 8		2
30	505 82 11-01	HEX BOLT 1/2 - 13 X 1 1/2 GR 8		2
31	505 62 74-01	HEX BOLT 1/4-20-5/8 S.S.		4
32	505 72 77-01	HEX BOLT 3/8-16-3 1/2 CAD GR 5		4
33	505 72 73-01	HEX BOLT 1/4-20-1 STAINLESS ST		1
34	505 63 19-01	JAM NUT 1/4-20 STAINLESS STEEL		1
35	505 77 45-01	SPRING ANCHORS		1
36	505 73 73-01	SPRING		1
37	505 73 26-01	NUT		2
38	505 73 33-01	1/2-13 HEX NUT GOLD GR.8		2
39	505 73 21-01	NUT		4
40	505 81 43-01	HOUR METER		1
41	505 82 34-01	CABLE BRACKET		1
42	505 72 96-01	SHC 10-32 X 1/2 S.S. CBL MTS		4
43	505 72 23-01	SHC 1/4-20-1/2 S.S		4
44	505 73 34-01	SNAP RING		4
45	505 73 38-01	SET SCREW 1/4-20-3/8 KNURLED P		2
46	521 89 52-01	KEY		1
47	505 73 47-01	WOODRUF #3 1/8 X 1/2		2
48	505 63 05-01	NYLOC NUT 1/4-20 CAD PL.		2
49	505 63 21-01	WASHER		1
50	505 73 24-01	NUT		1
51	505 72 75-01	HEX BOLT 5/16-18-1 CAD GR 5		1



MAINFRAME

SOFF CUT 2000E, 2009-30

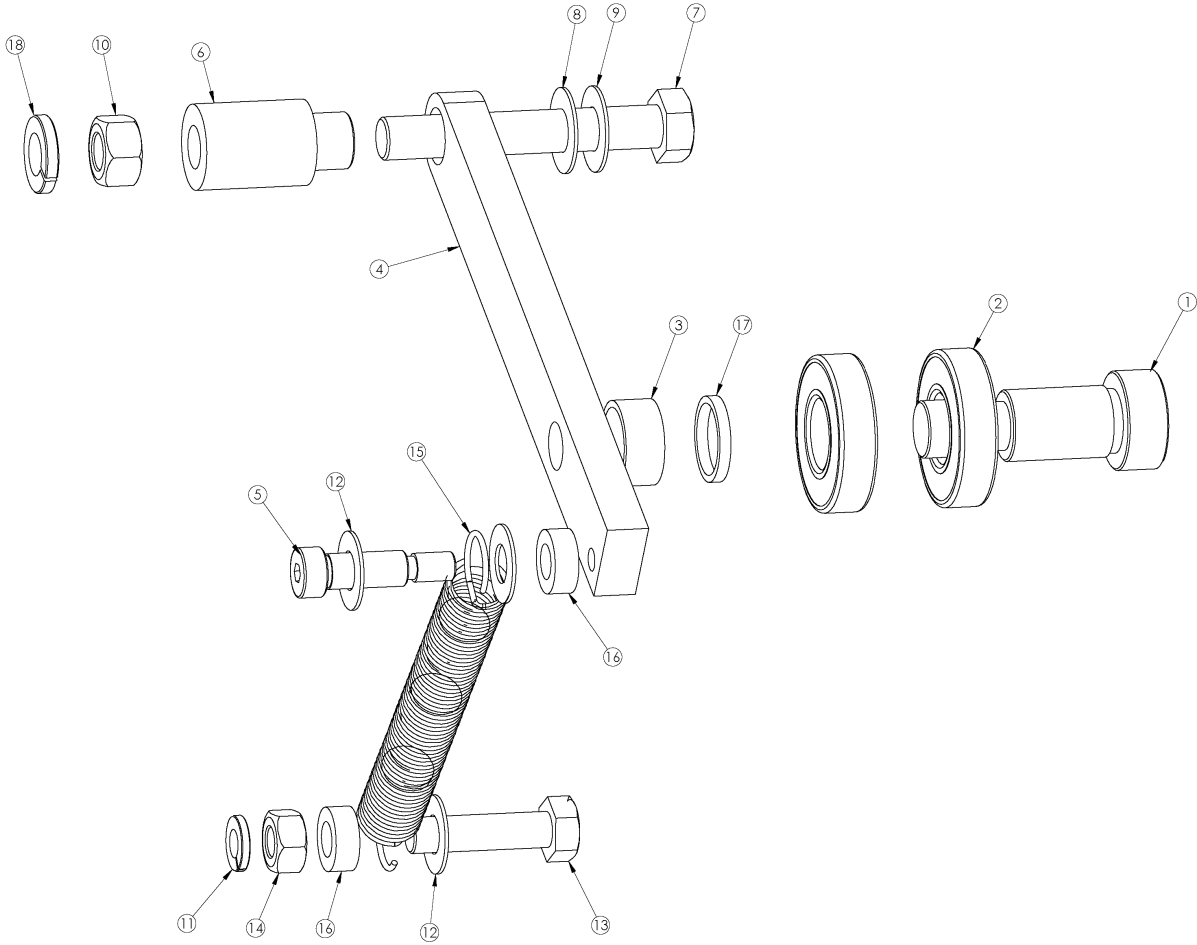
Ref	Part No	Description	Remark	QTY KIT
1	505 81 80-01	MAINFRAME		1
2	505 82 07-01	SHSB 3/8 X 1 1/4 BLACK		2
3	505 81 69-01	ARBOR LOCK SHAFT		1
4	505 81 75-01	ROLLCAGE		1
5	505 81 76-01	BELT GUARD		1
6	505 81 57-01	BELT		1
7	505 81 87-01	MOTOR PAD		1
8	516 02 86-04	BOLT		4
9	505 82 41-01	SPRING		1
10	505 73 73-01	SPRING		1
11	505 81 92-01	CABLE MOUNT BLOCK		1
12	505 77 58-01	HOSE CLAMP		1
13	505 82 58-01	REGULATOR		1
14	510 27 26-07	ASSEMBLY		1
15	505 72 46-01	FLAT WASH 3/8 STL CAD		5
16	505 73 28-01	5/16-24 HEX JAM NUT ZINC		1
17	510 29 87-01	5/16-18 X 2 HEX BOLT GRADE5		1
18	505 83 60-01	BATTERY COVER		1
19	505 63 28-01	LK WASH 1/4 SPLIT SS		10
20	505 64 78-01	1/2" SNAP RING		1
21	505 63 20-01	WASHER		2
22	505 63 06-01	NYLOC NUT 5/16-18 CAD PL.		4
23	505 83 19-01	NEW SPRING BLOCK		1
24	505 78 62-01	BATTERY		1
25	505 72 23-01	SHC 1/4-20-1/2 S.S		2
26	505 73 10-01	LK WASH 3/8 SPLIT SS		4
27	505 72 34-01	NUT		6
28	505 77 45-01	SPRING ANCHORS		1
29	505 63 30-01	LK WASH 5/16 SPLIT SS		1
30	505 72 52-01	WASHER		2
31	505 72 80-01	HEX BOLT 1/4-20-2 3/4 ALL THRD		1
32	505 82 40-01	SPRING		3
33	505 81 78-01	WHEEL COVER		1
34	505 63 19-01	JAM NUT 1/4-20 STAINLESS STEEL		2
35	505 79 57-01	HEX BOLT 3/8-16 X 2 GR 8		4
36	505 62 74-01	HEX BOLT 1/4-20-5/8 S.S.		10
37	505 72 73-01	HEX BOLT 1/4-20-1 STAINLESS ST		2
38	505 82 25-01	CLAMP		1
39	505 63 05-01	NYLOC NUT 1/4-20 CAD PL.		8
40	505 72 75-01	HEX BOLT 5/16-18-1 CAD GR 5		4



OIL DRAIN

SOFF CUT 2000E, 2009-30

Ref	Part No	Description	Remark	QTY KIT
1	505 73 85-01	GATES 6 LOLA+ 3/8 I.D. HOSE		1
2	505 73 86-01	GATES 6LOC-4RMP PUSH ON FITTIN		2
3	505 77 67-01	PMO414 1/4 NPT TO 14		1
4	505 77 66-01	DUST CAP FOR OIL DRAIN-RP85123		1



PUMP IDLER PULLEY

SOFF CUT 2000E, 2009-30

Ref	Part No	Description	Remark	QTY KIT
1	505 81 18-01	SHSB 5/8 X 1		1
2	505 73 60-01	PULLEY		2
3	505 71 46-02	SPACER		1
4	505 58 73-01	ARM		1
5	505 72 64-01	SHSB 5/16 X 3/4 BLK STL		1
6	505 81 60-01	SPACER		1
7	505 82 13-01	HEX BOLT 3/8-16 X 2 1/2 S.S.		1
8	505 63 45-01	FLAT WSHR .750X.379 X.031 DEL		1
9	505 63 42-01	FLAT WSHR.750 X .375 X .031 SS		1
10	505 73 21-01	NUT		1
11	505 63 28-01	LK WASH 1/4 SPLIT SS		1
12	505 72 52-01	WASHER		3
13	505 82 16-01	HEX BOLT 5/16-24X1 1/4 GR 5		1
14	505 73 28-01	5/16-24 HEX JAM NUT ZINC		1
15	505 73 79-01	SPRING		1
16	505 80 17-01	SPACER BLD IDLR PULLEY SPRING		2
17	505 71 46-03	SPACER		1
18	505 73 10-01	LK WASH 3/8 SPLIT SS		1