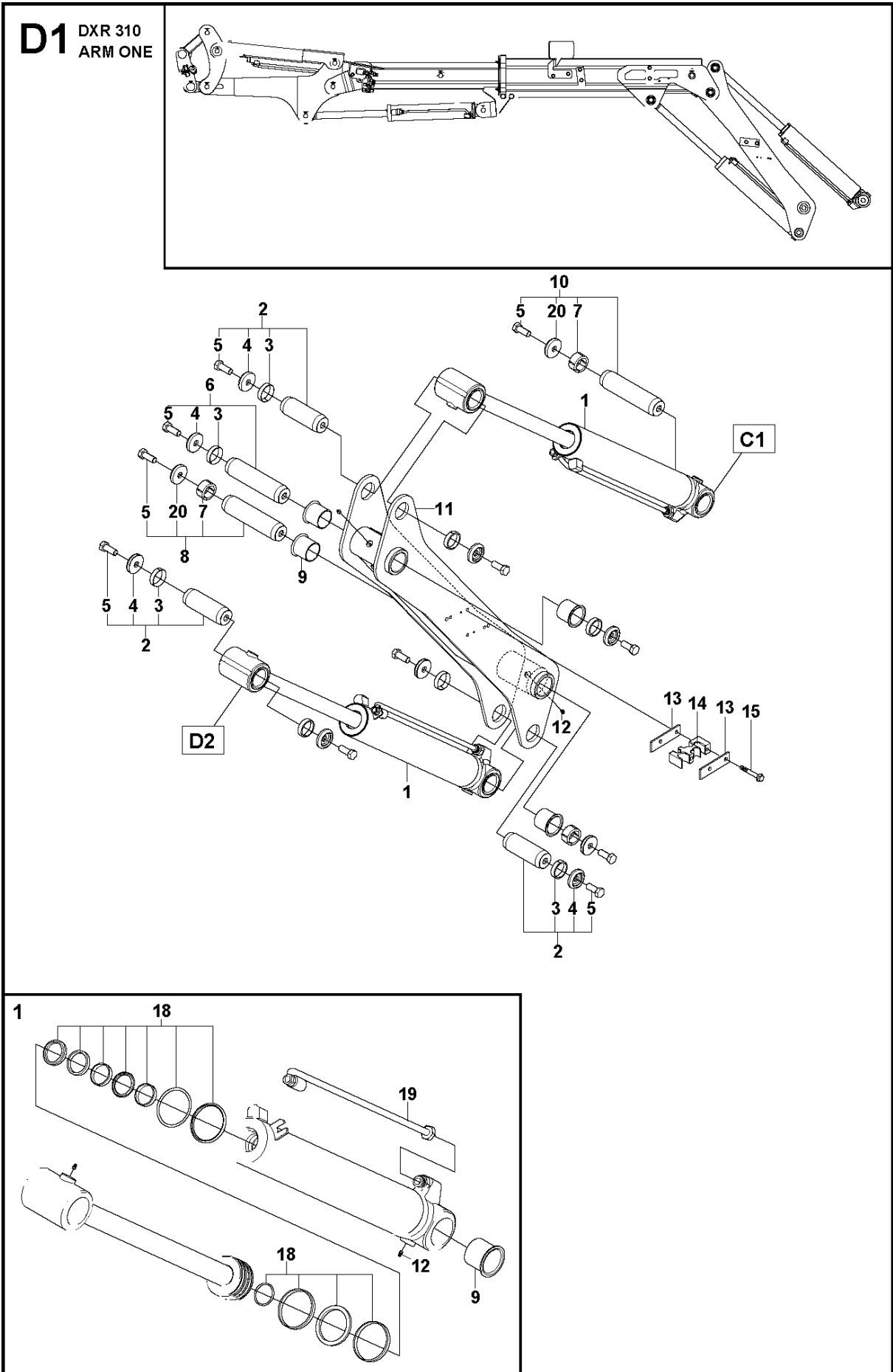




SPARE PARTS LIST

DEMOLITION ROBOTS

DXR310, Valid for machine 44 and
forward, 2013-08

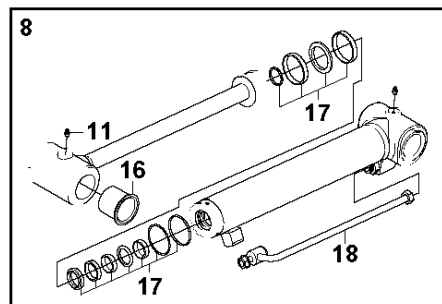
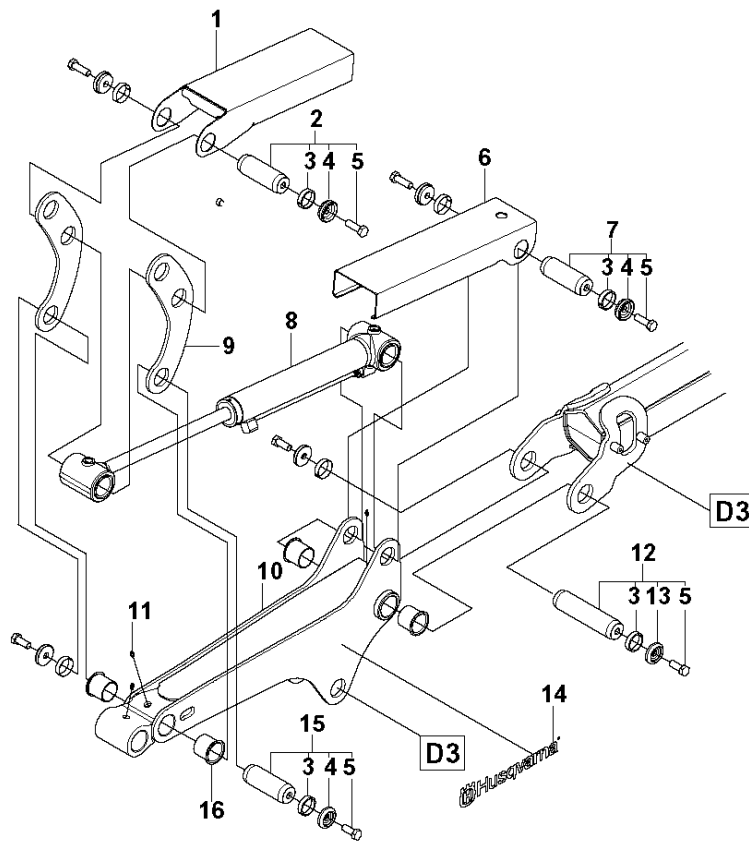
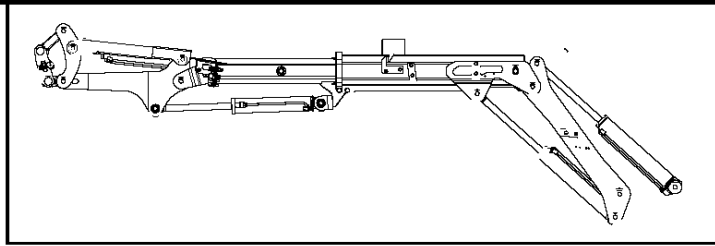


ARM ONE

DXR310, Valid for machine 44 and forward, 2013-08

Ref	Part No	Description	Remark	QTY	KIT
1	521 90 66-01	CYLINDER		2	
2	505 24 82-01	SHAFT ASSY		2	
3	522 84 17-01	SLEEVE		4	2, 8
4	522 84 19-01	WASHER		8	2,6,8,10
5	522 84 23-01	SCREW EHHM		8	2,6,8,10
6	504 90 62-01	SHAFT ASSY		1	
7	522 84 14-01	SLEEVE		6	6,1
8	505 31 68-01	SHAFT ASSY		1	
9	504 89 49-01	BEARING BUSH		12	1
10	504 90 58-01	SHAFT ASSY		1	
11	504 88 98-01	ARM		1	
12	504 89 53-01	LUBRICATION NIPPLE		4	1
13	588 90 09-01	PLATE		4	
14	588 89 96-01	HOSE CLAMP		2	
15	576 20 11-01	SCREW EHHFM		4	
18	522 85 73-01	SEAL		1	1
19	522 91 49-01	HYDRAULIC PIPE		1	1
20	582 30 04-01	WASHER		1	

D4 DXR 310
ARM THREE

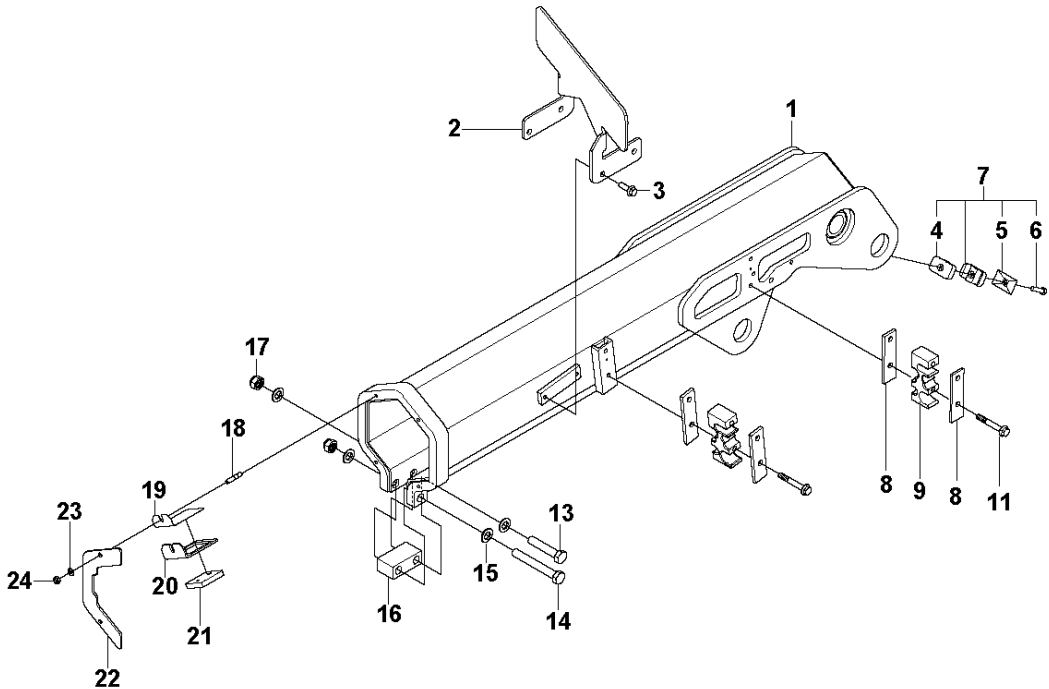
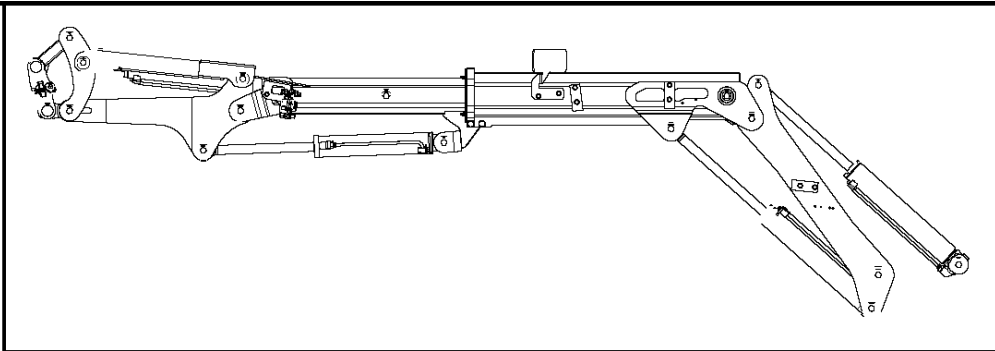


ARM THREE

DXR310, Valid for machine 44 and forward, 2013-08

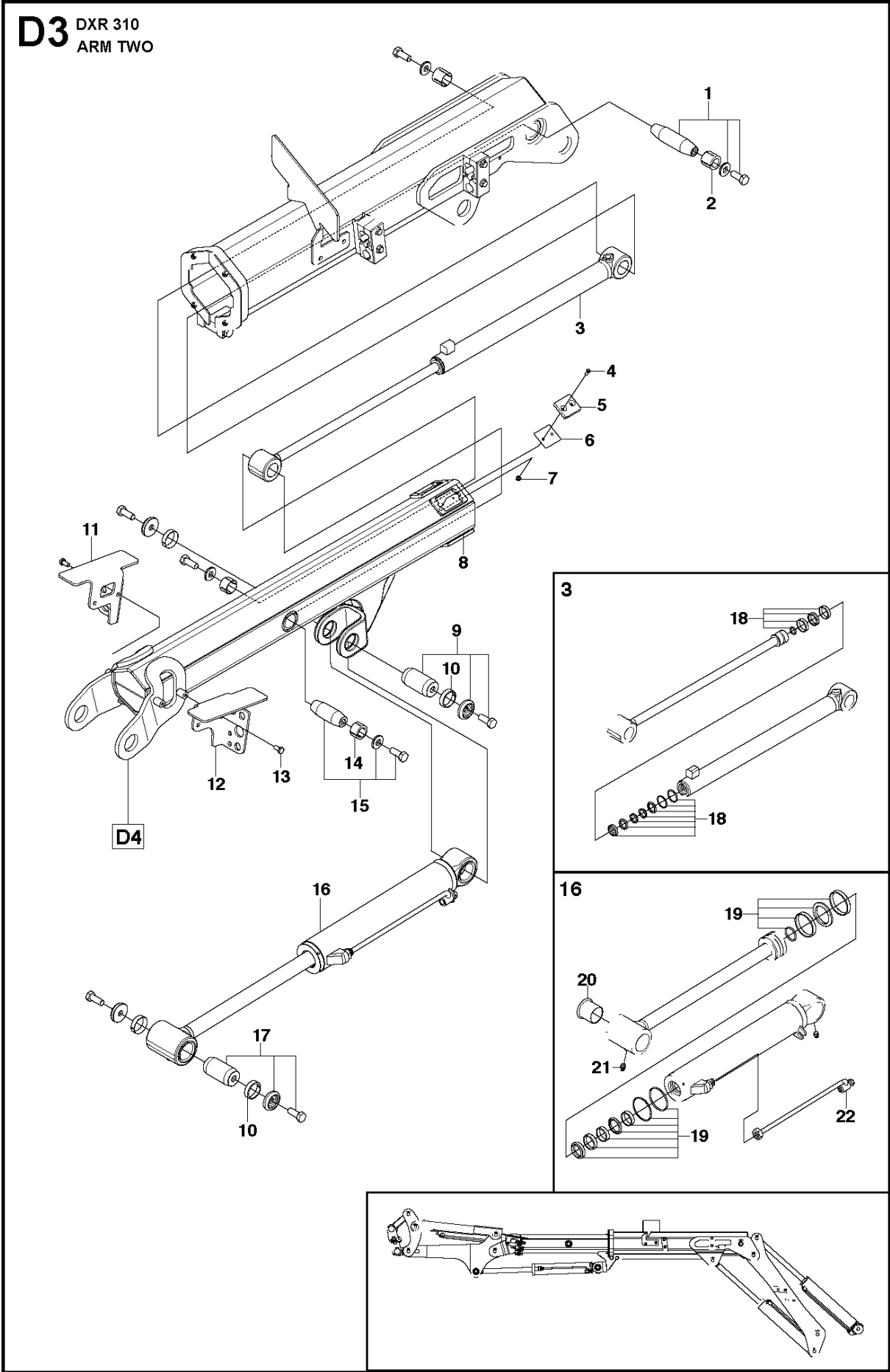
Ref	Part No	Description	Remark	QTY	KIT
1	505 33 37-01	PROTECTION		1	
2	510 16 64-01	SHAFT ASSY		1	
3	522 84 14-01	SLEEVE		8	2, 7, 12, 15
4	522 84 21-01	WASHER		8	2, 7
5	522 84 23-01	SCREW EHHM		8	2, 7, 12, 15
6	505 33 40-01	PROTECTION		1	
7	522 85 92-01	SHAFT ASSY		1	
8	522 72 29-01	CYLINDER		1	
9	505 33 20-01	PLATE		2	
10	504 89 78-01	ARM		1	
11	504 89 53-01	LUBRICATION NIPPLE		5	8
12	505 24 82-01	SHAFT ASSY		1	
13	522 84 19-01	WASHER		2	12, 15
14	525 75 39-01	STICKER		2	
15	504 90 58-01	SHAFT ASSY		1	
16	504 89 49-01	BEARING BUSH		8	8
17	522 85 73-01	SEAL		1	8
18	522 91 51-01	HYDRAULIC PIPE		1	8

D2 DXR 310

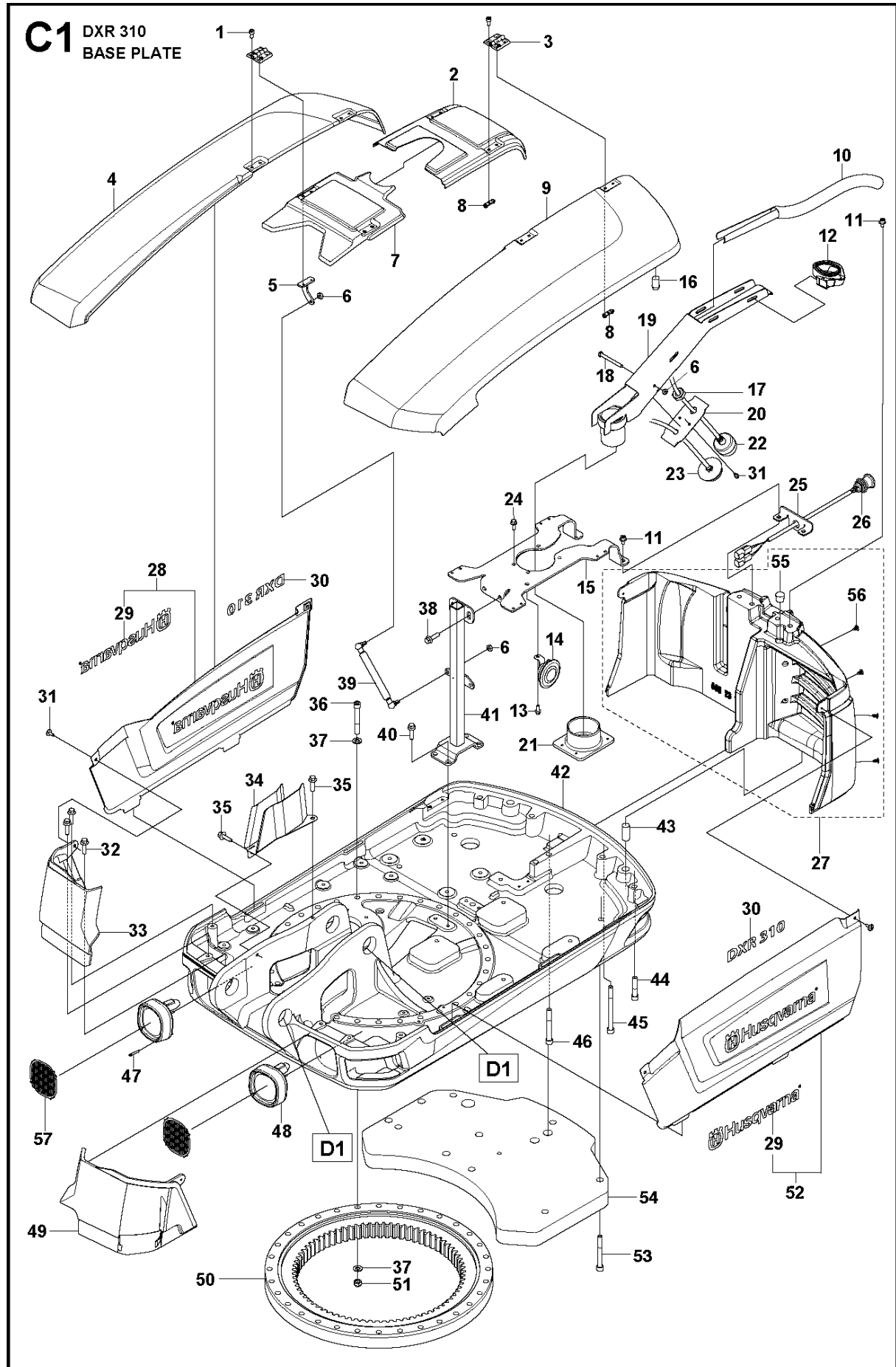


Ref	Part No	Description	Remark	QTY KIT
1	504 89 01-01	ARM		1
2	522 99 06-01	PLATE		1
3	522 70 66-01	SCREW EHHFM		4
4	576 45 26-01	HOSE CLAMP		2
5	522 72 34-01	PLATE		1
6	522 70 84-01	SCREW EHHM		1
7	576 45 25-01	HOSE CLAMP		1
8	588 90 09-01	PLATE		8
9	588 89 96-01	HOSE CLAMP		4
11	576 20 11-01	SCREW EHHFM		8
13	522 66 75-01	SCREW EHHM		1
14	522 66 76-01	SCREW EHHM		1
15	522 67 19-01	WASHER		4
16	504 89 64-01	SPACER		1
17	522 66 97-01	LOCK NUT		2
18	522 59 93-01	SCREW		4
19	504 89 66-01	SPACER	0.2 mm	1
19	504 89 66-02	SPACER	0.3 mm	1
19	504 89 66-03	SPACER	0.5 mm	1
19	504 89 66-04	SPACER	1.0 mm	1
20	579 55 80-01	BRACKET		4
21	579 55 77-01	BEARING		8
22	504 89 57-01	PLATE		2
23	522 67 16-01	WASHER		4
24	522 66 94-01	LOCK NUT		4

D3 DXR 310
ARM TWO



Ref	Part No	Description	Remark	QTY	KIT
1	504 90 26-01	SHAFT ASSY		1	
2	522 84 16-01	SLEEVE		2	
3	521 90 75-01	CYLINDER		1	
4	725 63 72-51	SCREW IHCSFM		8	
5	579 55 77-01	BEARING		8	
6	579 55 85-01	SHIM	0.2 mm	1	
6	579 55 85-02	SHIM	0.3 mm	1	
6	579 55 85-03	SHIM	0.5 mm	1	
6	579 55 85-04	SHIM	1.0 mm	1	
7	731 43 16-01	HEXAGON THIN NUT		8	
8	580 68 19-01	ARM		1	
9	504 90 64-01	SHAFT ASSY		1	
10	522 84 14-01	SLEEVE		4	
11	505 26 16-01	COVER		1	
12	505 25 77-01	COVER		1	
13	522 70 66-01	SCREW EHHFM		4	
14	522 84 15-01	SLEEVE		2	
15	504 90 27-01	SHAFT ASSY		1	
16	521 90 71-01	CYLINDER		1	
17	505 24 82-01	SHAFT ASSY		1	
18	522 85 75-01	SEAL		1	3
19	522 85 73-01	SEAL		1	16
20	504 89 49-01	BEARING BUSH		2	16
21	504 89 53-01	LUBRICATION NIPPLE		2	16
22	522 91 50-01	HYDRAULIC PIPE		1	16

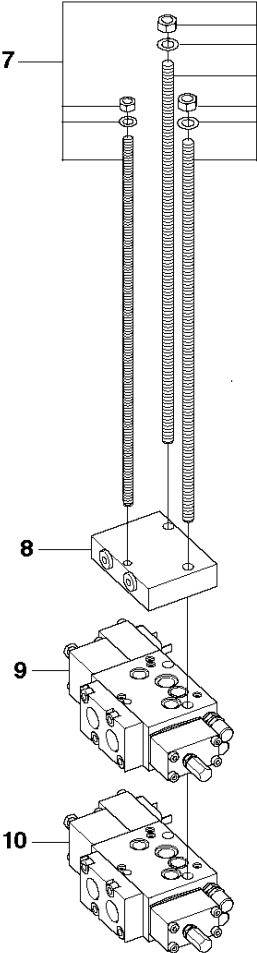
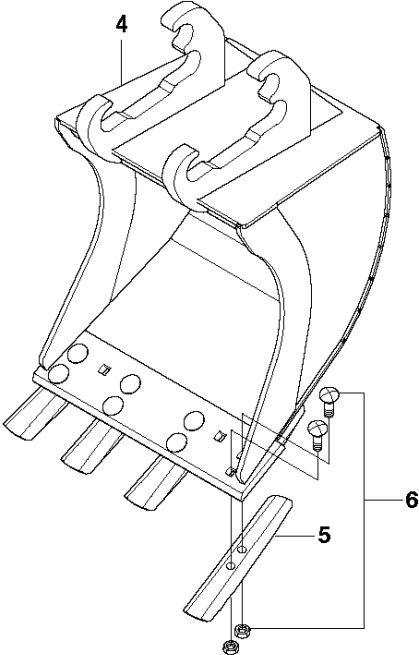


BASE PLATE

DXR310, Valid for machine 44 and forward, 2013-08

Ref	Part No	Description	Remark	QTY	KIT
1	522 66 90-01	SCREW IHSCFM		16	
2	505 31 90-01	COVER		1	
3	510 36 21-01	HINGE		2	
4	576 29 19-01	COVER		1	
5	576 29 24-01	CONSOLE		2	
6	522 66 94-01	LOCK NUT		3	
7	505 31 91-01	COVER		1	
8	576 27 15-01	NUT WASHER		4	
9	576 29 20-01	COVER		1	
10	510 14 16-01	CABLE CLAMP		1	
11	574 25 11-01	SCREW EHHFM		4	
12	522 73 36-01	STRAP		2	
13	522 66 87-01	SCREW EHHFM		1	
14	510 12 60-01	HORN		1	
15	576 29 23-01	BRACKET		1	
16	521 93 07-01	SPACER		2	
17	581 48 08-01	NUT		2	
18	725 54 67-55	SCREW IHSCM		3	
19	581 47 98-01	CABLE HOLDER		1	
20	581 48 03-01	BRACKET		1	
21	581 74 52-01	HOLDER		1	
22	581 10 35-01	LIGHT		1	
23	580 28 92-01	ANTENNA		1	
24	522 60 87-01	DRILL BIT		4	
25	505 25 22-01	BRACKET		1	
26	584 85 16-01	SWITCH		1	
27	587 20 13-01	COUNTERWEIGHT	90 kg	1	
28	576 29 25-01	PAN		1	
29	525 75 39-02	STICKER		2	
30	581 48 28-01	STICKER		2	
31	522 66 84-01	SCREW EHHFM		4	
32	522 70 67-01	SCREW EHHFM		6	
33	505 15 47-01	PANEL		1	
34	576 20 13-01	BRACKET		1	
35	522 70 66-01	SCREW EHHFM		2	
36	525 61 80-01	SCREW EHHM		32	
37	522 67 18-01	WASHER		64	
38	574 25 89-01	SCREW EHHFM		2	
39	510 13 47-02	SPRING		2	
40	522 70 66-01	SCREW EHHFM		4	
41	576 29 21-01	CABLE HOLDER		1	
42	577 64 89-01	BASEPLATE		1	
43	505 28 16-01	GUIDE PIN		6	
44	522 59 75-01	SCREW IHSCM		2	
45	522 59 81-01	SCREW IHSCM		2	
46	522 59 79-01	SCREW IHSCM		2	
47	529 31 69-01	SCREW IHSCM		8	
48	505 34 90-01	HEADLIGHT		2	
49	577 64 93-01	PANEL	Valid for machine S/N 102 and forward, For new baseplate with 2 screws	1	
49	505 15 49-01	PAN	Valid for machine S/N 1-101, For old baseplate with 3 screws	1	
50	505 26 48-01	BEARING		1	
51	522 66 96-01	NUT		32	
52	576 29 26-01	PAN		1	
53	510 24 35-01	SCREW		6	
54	510 11 13-01	COUNTERWEIGHT	90 kg	1	
55	586 73 31-01	PLUG		1	27
56	586 84 42-01	PLUG		4	27
57	588 90 37-01	LENS		1	

J DXR 310
CHISELS & BUCKET

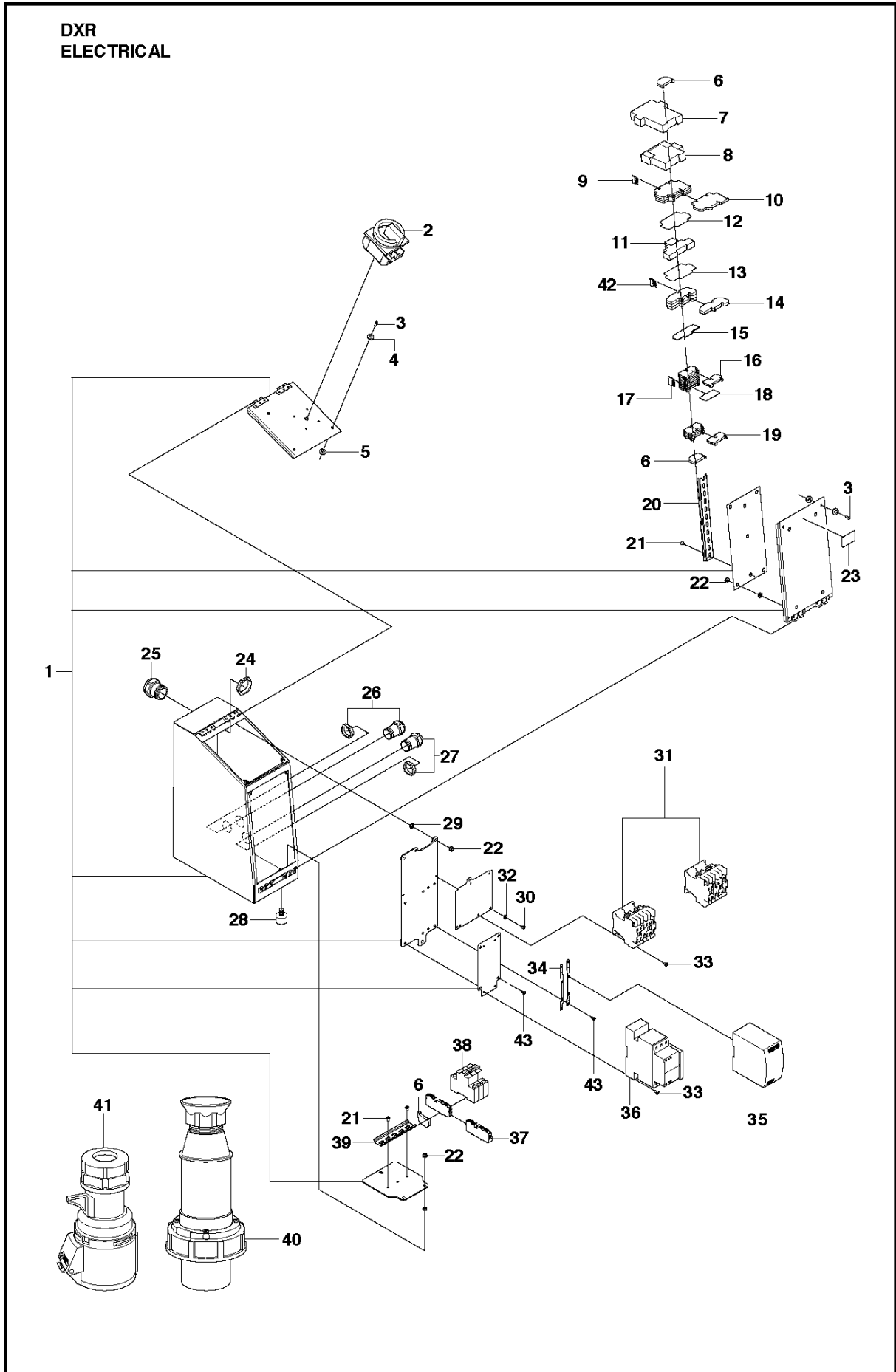


CHISELS & BUCKET

DXR310, Valid for machine 44 and forward, 2013-08

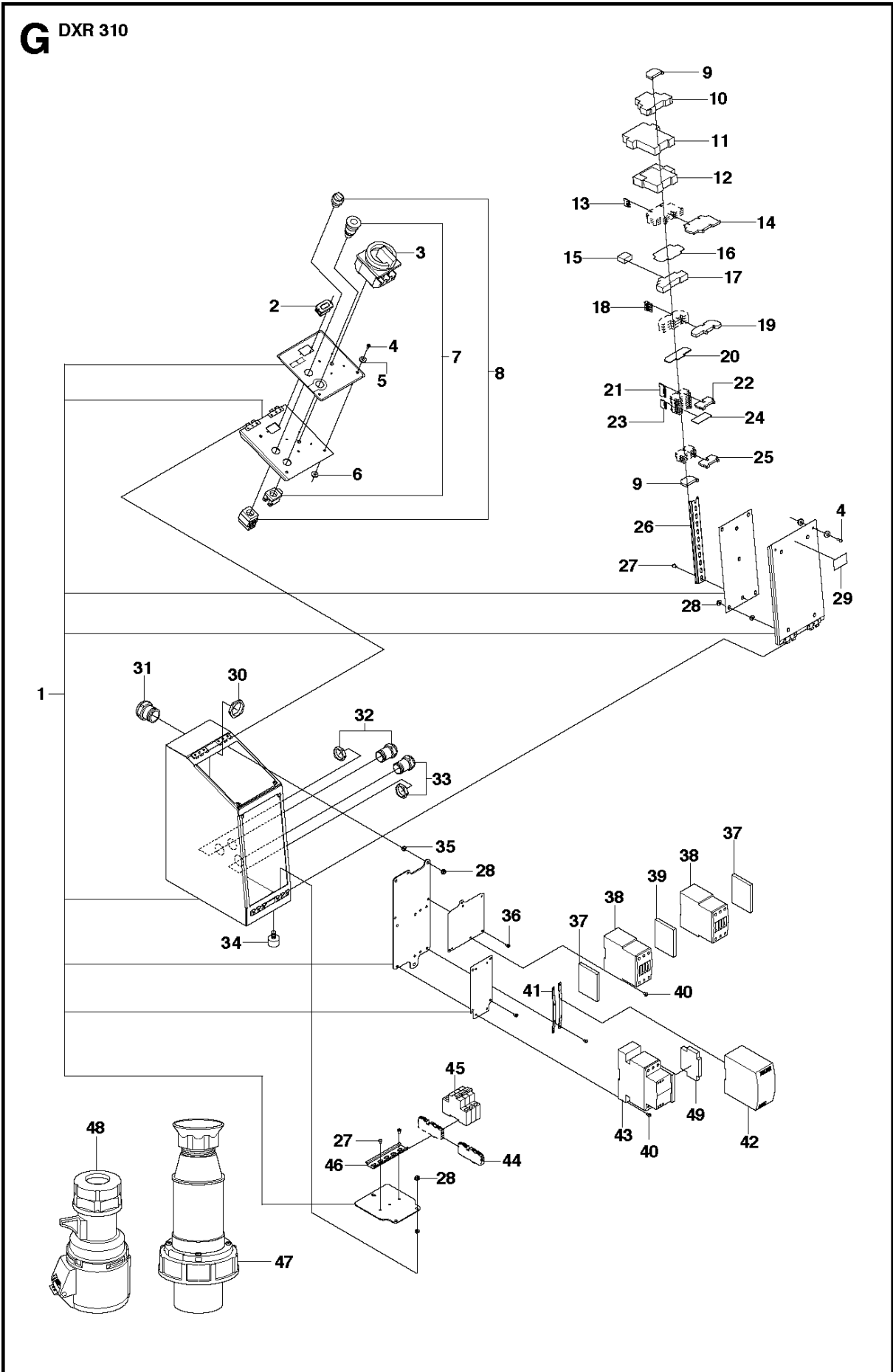
Ref	Part No	Description	Remark	QTY KIT
4	522 84 49-01	TOOL		1
5	576 70 33-01	TOOTH		1
6	576 70 34-01	KIT		2
7	522 96 34-01	TAP		1
7	523 06 20-01	TAP	1 extra section	1
7	523 06 24-01	TAP	2 extra sections	1
8	522 80 04-01	VALVE		1
9	566 37 31-01	VALVE		1
10	576 38 72-01	VALVE		1

**DXR
ELECTRICAL**



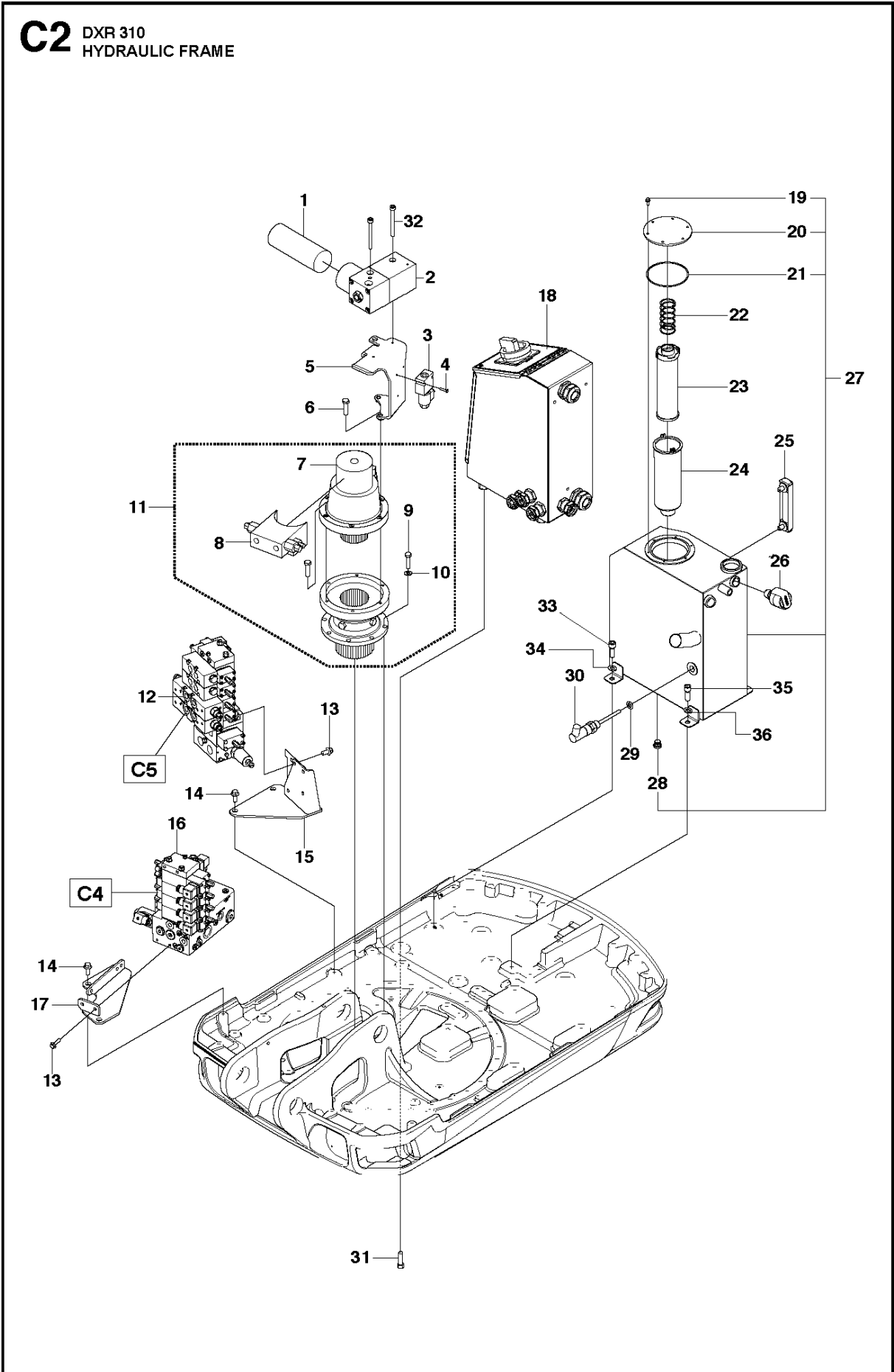
ELECTRICAL, Valid for machine 114 and forward DXR310, Valid for machine 44 and forward, 2013-08

Ref	Part No	Description	Remark	QTY KIT
1	584 79 81-01	ELECTRONIC BOX		1
2	522 87 14-01	MAIN SWITCH		1
3	724 13 29-51	SCREW CRPANM		16
4	734 11 46-60	WASHER		16
5	580 43 43-01	WASHER		16
6	584 82 16-01	TERMINAL BLOCK		3
7	584 82 54-01	RELAY	B1, Safety relay	1
8	522 86 92-01	RELAY	K1, Phase sequence relay	1
9	575 89 44-01	BAR		1
10	522 92 25-01	RELAY	K2, K3, K4, K5	4
11	575 88 88-01	RELAY	K6, Start relay	1
12	575 89 49-01	PLATE		1
13	584 82 07-01	TERMINAL BLOCK		1
14	584 80 60-01	FUSE HOLDER		7
15	584 82 12-01	TERMINAL BLOCK		1
16	584 80 57-01	TERMINAL BLOCK		7
17	584 81 00-01	TERMINAL BLOCK		1
18	584 85 35-01	TERMINAL BLOCK		1
19	584 85 32-01	TERMINAL BLOCK		2
20	523 05 53-01	RAIL		1
21	581 31 05-01	SCREW IHANM		9
22	503 22 00-06	HEXAGON NUT		10
23	523 35 05-01	STICKER		1
24	576 43 11-01	NUT		2
25	575 88 98-01	CABLE		2
26	523 05 74-01	CABLE		3
27	523 05 73-01	CABLE		1
28	510 28 25-01	DAMPER		4
29	731 43 18-01	HEXAGON THIN NUT		10
30	725 52 89-01	SCREW IHSCM		4
31	584 80 52-01	CONTACTOR		1
32	585 27 84-01	WASHER		4
33	585 27 89-01	SCREW IHSCFM		4
34	581 28 66-01	BRACKET		2
35	505 52 74-01	TRANSFORMER	T1	1
36	577 97 79-01	STARTER	T2	1
37	523 06 00-01	TERMINAL BLOCK		2
38	522 91 18-01	FUSE		1
39	523 05 53-03	RAIL		1
40	510 27 77-01	CABLE		1
41	531 11 71-32	SOCKET		1
42	584 81 95-01	TERMINAL BLOCK		2
43	725 52 87-01	SCREW IHSCM		8



Ref	Part No	Description	Remark	QTY KIT
1	584 79 82-01	ELECTRONIC BOX		1
2	510 28 49-01	HOUR METER		1
3	522 87 14-01	MAIN SWITCH		1
4	724 13 29-51	SCREW CRPANM		16
5	734 11 46-60	WASHER		15
6	580 43 43-01	WASHER		16
7	510 28 52-01	SWITCH		1
8	575 88 81-01	SWITCH		1
9	522 92 21-01	STOP		3
10	575 46 49-01	CONTROL		1
11	522 91 16-01	RELAY		1
12	522 86 92-01	RELAY		1
13	575 89 44-01	BAR		1
14	522 92 25-01	RELAY		6
15	575 88 90-01	RELAY		1
16	575 89 49-01	PLATE		1
17	575 88 91-01	RELAY		1
18	575 89 42-01	JUMPER BAR		3
19	522 92 18-01	FUSE HOLDER		4
20	575 89 48-01	PLATE		1
21	575 89 45-01	JUMPER BAR		1
22	575 88 79-01	TERMINAL BLOCK		9
23	575 89 46-01	JUMPER BAR		1
24	522 92 65-01	TERMINAL BLOCK		5
25	575 88 80-01	TERMINAL BLOCK		5
26	523 05 53-01	RAIL		1
27	581 31 05-01	SCREW IHANM		9
28	503 22 00-06	HEXAGON NUT		10
29	523 35 05-01	STICKER		1
30	576 43 11-01	NUT		2
31	575 88 98-01	CABLE		2
32	523 05 74-01	CABLE		3
33	523 05 73-01	CABLE		1
34	510 28 25-01	DAMPER		4
35	731 43 18-01	HEXAGON THIN NUT		10
36	725 52 87-01	SCREW IHSCM		11
37	523 04 68-01	RELAY		2
38	523 04 69-01	CONTACTOR		2
39	523 04 70-01	CONNECTION		1
40	725 52 91-01	SCREW IHSCM		8
41	581 28 66-01	BRACKET		2
42	505 52 74-01	TRANSFORMER		1
43	577 97 79-01	STARTER		1
44	523 06 00-01	TERMINAL BLOCK		2
45	522 91 18-01	FUSE		1
46	523 05 53-03	RAIL		1
47	510 27 77-01	CABLE		1
48	531 11 71-32	SOCKET		1
49	577 97 80-01	RELAY		1

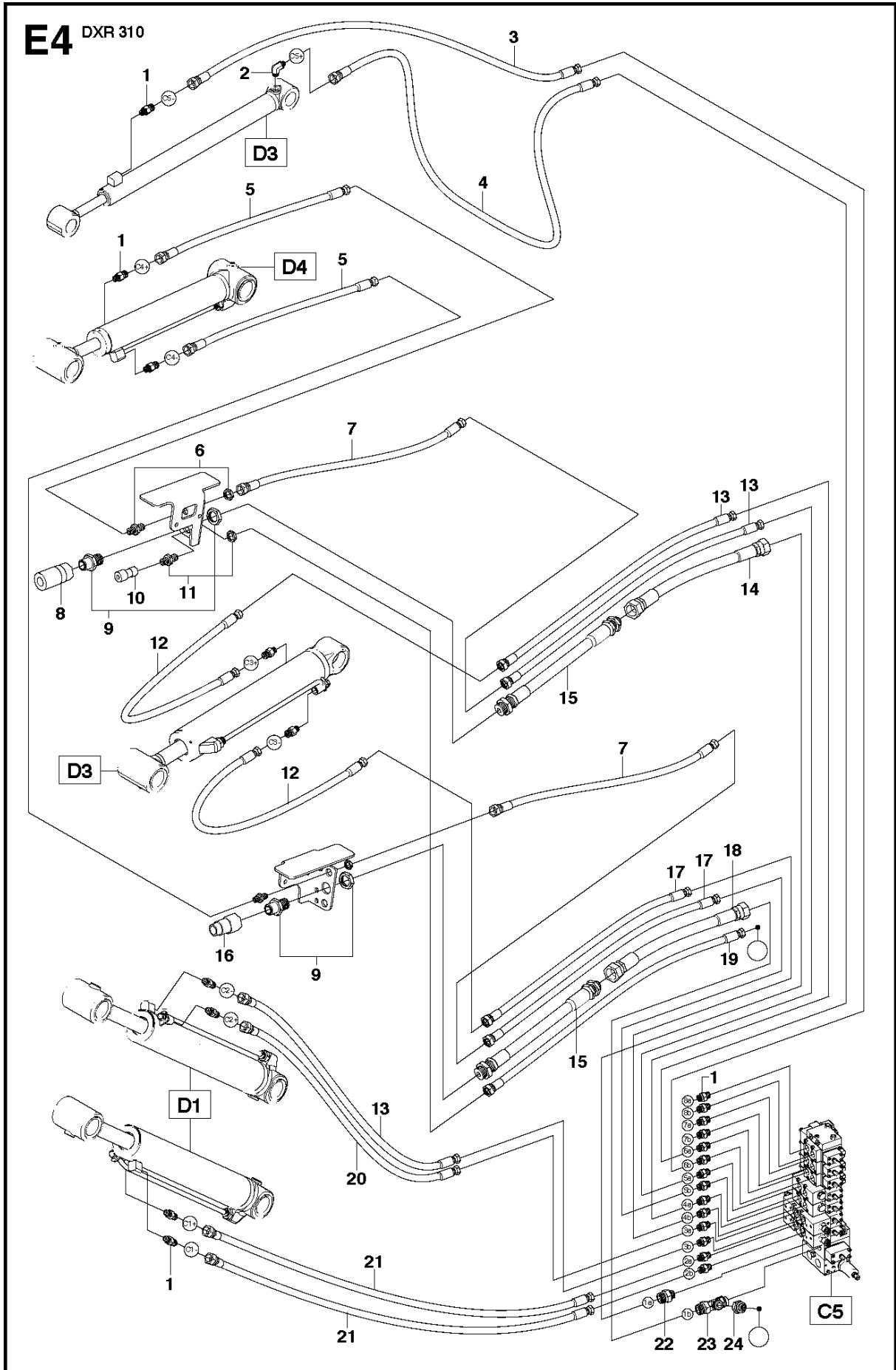
C2 DXR 310
HYDRAULIC FRAME



HYDRAULIC FRAME

DXR310, Valid for machine 44 and forward, 2013-08

Ref	Part No	Description	Remark	QTY KIT	
1	521 91 77-01	GREASE		1	
2	505 27 78-01	PUMP		1	
3	522 96 27-01	VALVE ASSY		1	
4	577 37 56-01	SCREW EHHFM		1	
5	510 13 86-01	BRACKET		1	
6	725 54 64-50	SCREW IHSCM		2	
7	522 78 18-01	HYDRAULIC MOTOR		1	11
8	522 78 23-01	VALVE HOUSING		1	11
9	725 24 95-76	SCREW EHHM		8	11
10	522 44 98-01	WASHER		8	11
11	577 25 46-01	HYDRAULIC MOTOR ASSY		1	
12	505 28 79-01	VALVE		1	
13	522 70 71-01	SCREW EHHFM		8	
14	522 70 66-01	SCREW EHHFM		6	
15	505 51 48-01	CONSOLE		1	
16	576 48 69-01	VALVE		1	
17	505 27 51-01	CONSOLE		1	
18	584 79 81-01	ELECTRONIC BOX		1	
19	725 23 68-71	SCREW EHHM		6	27
20	505 32 35-01	LID		1	27
21	521 92 47-01	O-RING		1	27
22	510 14 27-01	FILTER HOLDER		1	
23	510 14 45-01	FILTER		1	
24	505 29 19-01	FILTER HOLDER		1	
25	505 31 87-01	LEVEL GLASS		1	
26	505 29 06-01	AIR FILTER		1	
27	577 53 84-01	HYDRAULIC TANK		1	
28	505 32 41-01	OIL PLUG		1	27
29	522 84 77-01	WASHER		1	27
30	510 19 58-02	GAUGE		1	27
31	725 54 53-01	SCREW IHSCM		4	
32	725 54 67-55	SCREW IHSCM		2	27
33	725 54 49-01	SCREW IHSCM		2	
34	522 67 16-01	WASHER		2	
35	522 66 69-01	SCREW IHSCM		2	
36	522 67 18-01	WASHER		2	

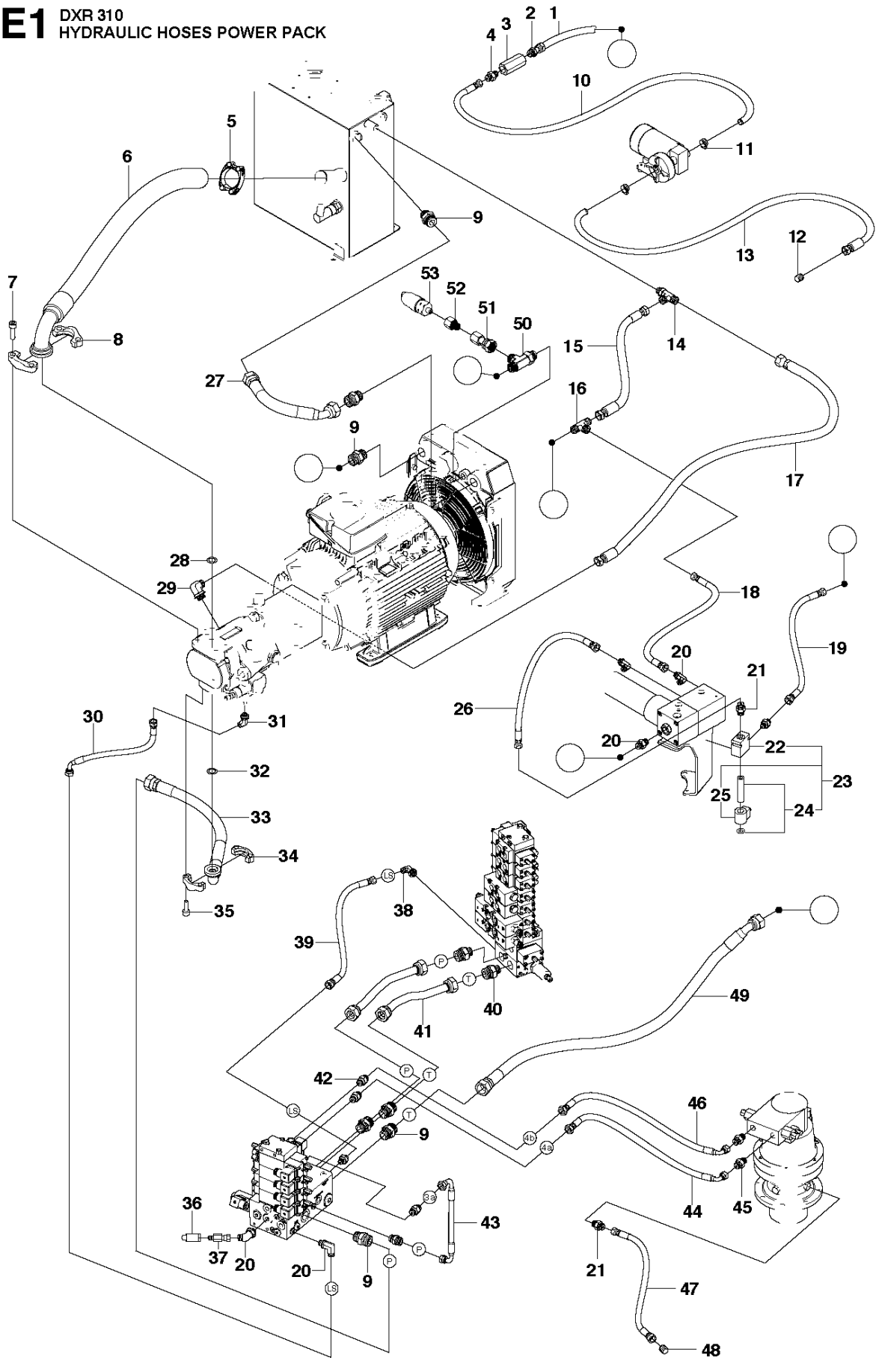


HYDRAULIC HOSES ARM

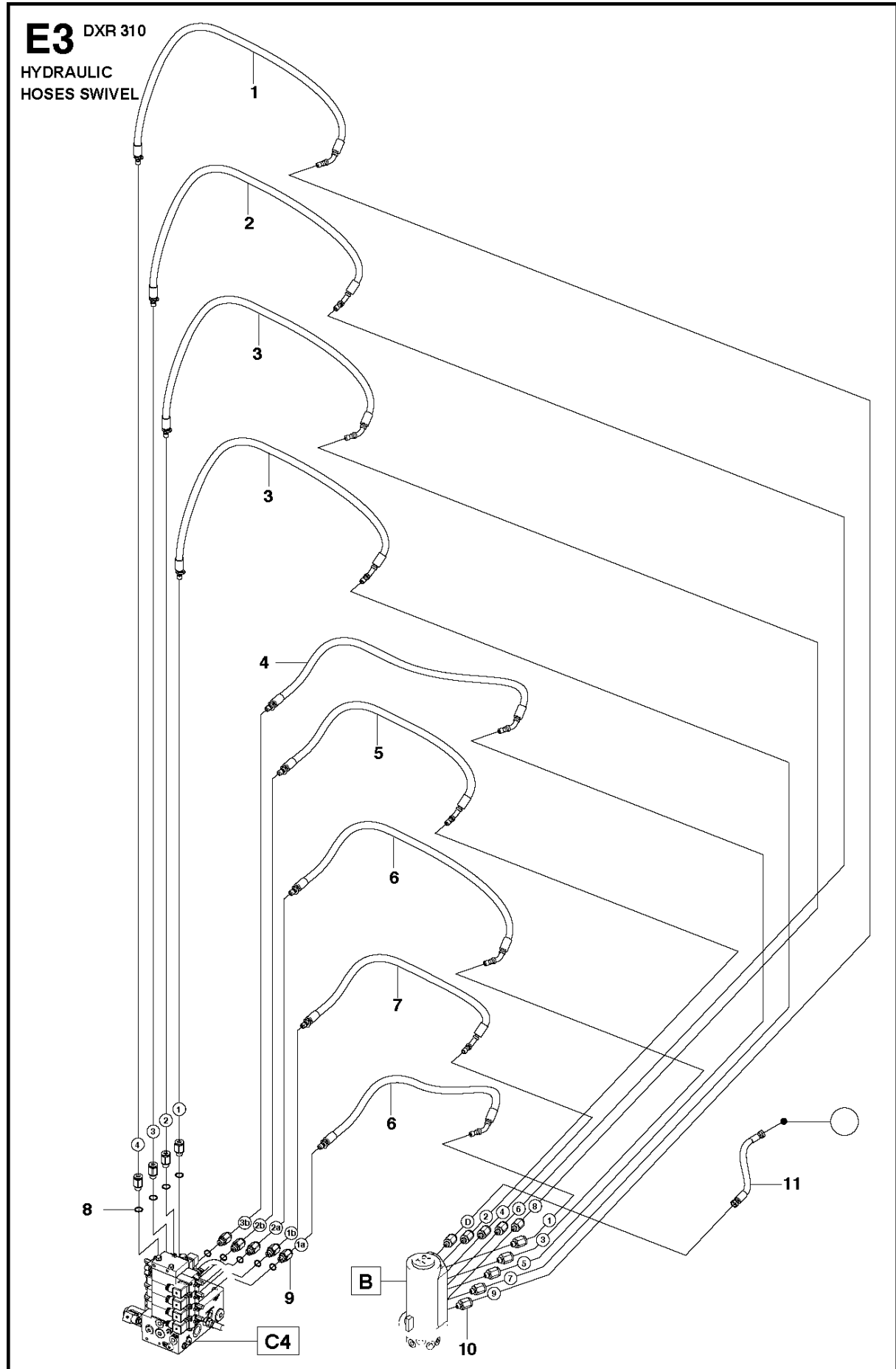
DXR310, Valid for machine 44 and forward, 2013-08

Ref	Part No	Description	Remark	QTY KIT
1	510 24 58-01	ADAPTER		19
2	521 89 27-01	ADAPTER		1
3	510 17 44-10	HOSE ASSY		1
4	510 17 44-09	HOSE ASSY		1
5	510 06 97-07	HOSE ASSY		2
6	505 15 97-01	ADAPTER		2
7	576 41 21-02	HOSE ASSY		2
8	510 26 81-01	QUICK COUPLING		1
9	510 25 84-01	ADAPTER		2
10	510 26 79-01	QUICK COUPLING		1
11	510 25 79-01	ADAPTER		1
12	576 41 21-01	HOSE ASSY		2
13	510 06 97-12	HOSE ASSY		6
14	510 19 51-06	HOSE ASSY		1
15	574 38 05-04	HOSE ASSY		1
16	510 26 80-01	QUICK COUPLING		1
17	510 06 97-13	HOSE ASSY		2
18	522 99 96-01	HOSE ASSY		1
19	510 25 18-28	HOSE ASSY		1
20	510 06 97-11	HOSE ASSY		2
21	510 06 97-01	HOSE ASSY		2
22	510 25 87-01	ADAPTER		1
23	522 61 36-01	ADAPTER		1
24	522 83 74-01	ADAPTER		1

E1 DXR 310
HYDRAULIC HOSES POWER PACK



Ref	Part No	Description	Remark	QTY KIT
1	510 17 00-03	HOSE ASSY		1
2	510 24 58-01	ADAPTER		6
3	510 26 76-01	CHECK VALVE		1
4	510 26 11-01	ADAPTER		1
5	510 36 32-01	HOSE CLAMP		1
6	510 19 47-01	HOSE ASSY		1
7	725 25 38-71	SCREW EHHM		4
8	510 26 63-01	FLANGE		2
9	510 26 46-01	ADAPTER		7
10	510 25 28-05	HOSE ASSY		1
11	522 67 20-01	HOSE CLAMP		2
12	522 83 17-01	ADAPTER		1
13	510 25 28-02	HOSE ASSY		1
14	516 01 82-01	ADAPTER		1
15	510 06 97-15	HOSE ASSY		1
16	522 53 21-01	ADAPTER		1
17	578 18 48-01	HOSE ASSY		1
18	510 22 87-06	HOSE ASSY		1
19	510 23 48-03	HOSE ASSY		1
20	510 26 54-01	ADAPTER		5
21	510 24 57-01	ADAPTER		4
22	522 96 28-01	VALVE HOUSING		1
23	522 96 27-01	VALVE ASSY		1
24	522 96 29-01	VALVE		1
25	522 96 30-01	SOLENOID		1
26	522 67 25-01	HOSE ASSY		1
27	578 18 46-01	HOSE ASSY		2
28	501 74 91-04	O-RING		1
29	510 26 57-01	ADAPTER		1
30	510 23 48-01	HOSE ASSY		1
31	510 26 52-01	ADAPTER		1
32	501 74 91-02	O-RING		1
33	510 19 28-01	HOSE ASSY		1
34	510 26 62-01	FLANGE		2
35	725 24 95-76	SCREW EHHM		4
36	522 49 53-02	SENSOR		1
37	510 40 87-01	ADAPTER		1
38	510 26 54-01	ADAPTER		3
39	510 25 18-04	HOSE ASSY		1
40	510 25 87-01	ADAPTER		2
41	510 19 51-04	HOSE ASSY		1
42	510 24 58-01	ADAPTER		6
43	576 48 84-01	HOSE ASSY		1
44	510 17 45-01	HOSE ASSY		1
45	510 24 58-01	ADAPTER		6
46	510 17 45-02	HOSE ASSY		1
47	522 67 25-07	HOSE ASSY		1
48	522 77 48-01	ADAPTER		1
49	510 19 53-01	HOSE ASSY		1
50	580 68 67-01	ADAPTER		1
51	576 53 57-01	ADAPTER		1
52	578 20 10-01	ADAPTER		1
53	510 14 17-01	SWITCH		1

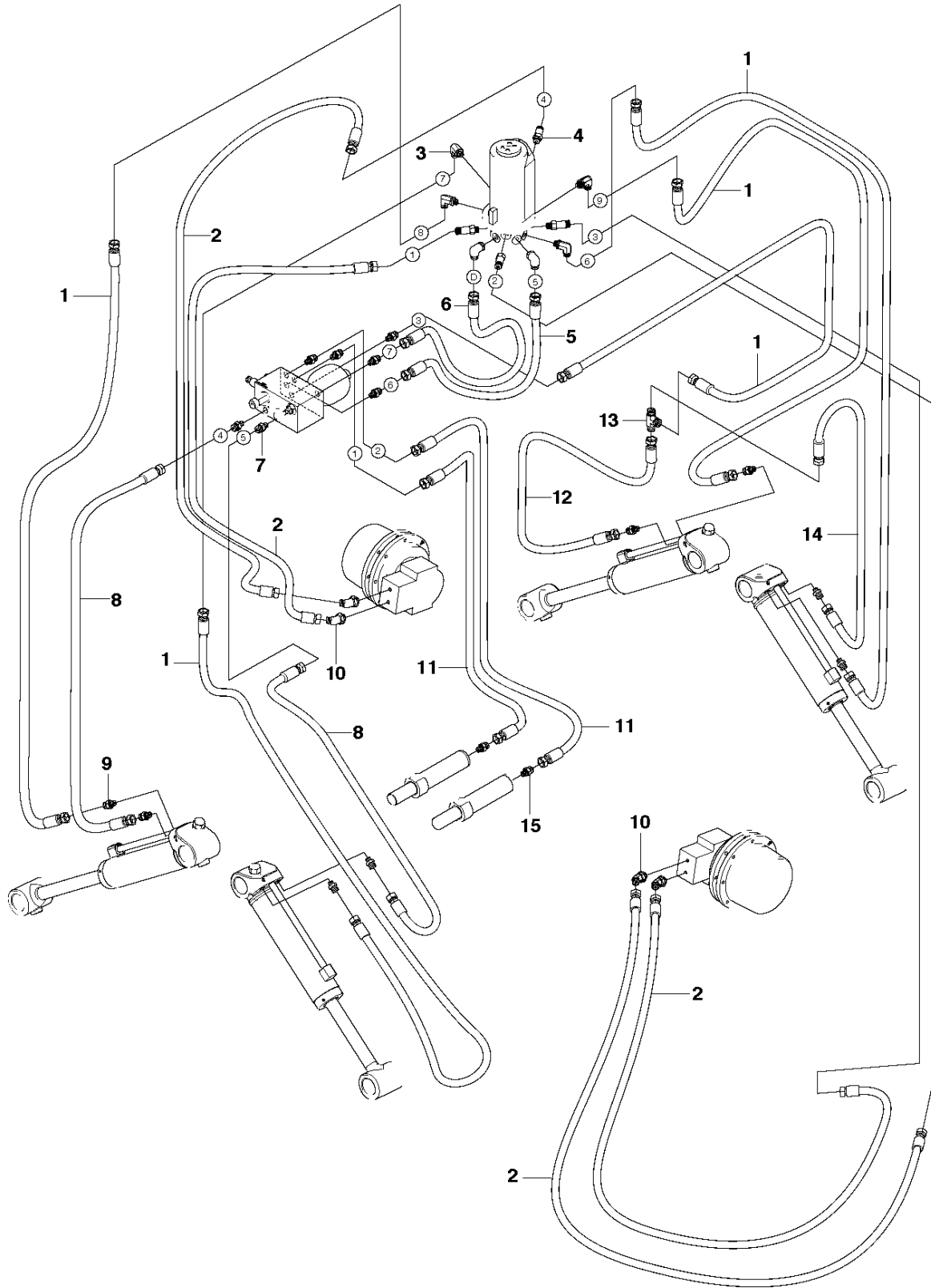


HYDRAULIC HOSES SWIVEL

DXR310, Valid for machine 44 and forward, 2013-08

Ref	Part No	Description	Remark	QTY KIT
1	510 19 24-07	HOSE ASSY		1
2	510 19 24-04	HOSE ASSY		1
3	510 19 24-02	HOSE ASSY		2
4	510 19 24-01	HOSE ASSY		1
5	510 19 24-10	HOSE ASSY		1
6	510 19 24-06	HOSE ASSY		2
7	510 19 24-09	HOSE ASSY		1
8	510 25 50-01	WASHER		9
9	510 24 89-01	CONNECTION		9
10	505 34 26-01	CONNECTION		10
11	522 67 24-01	HOSE ASSY		1

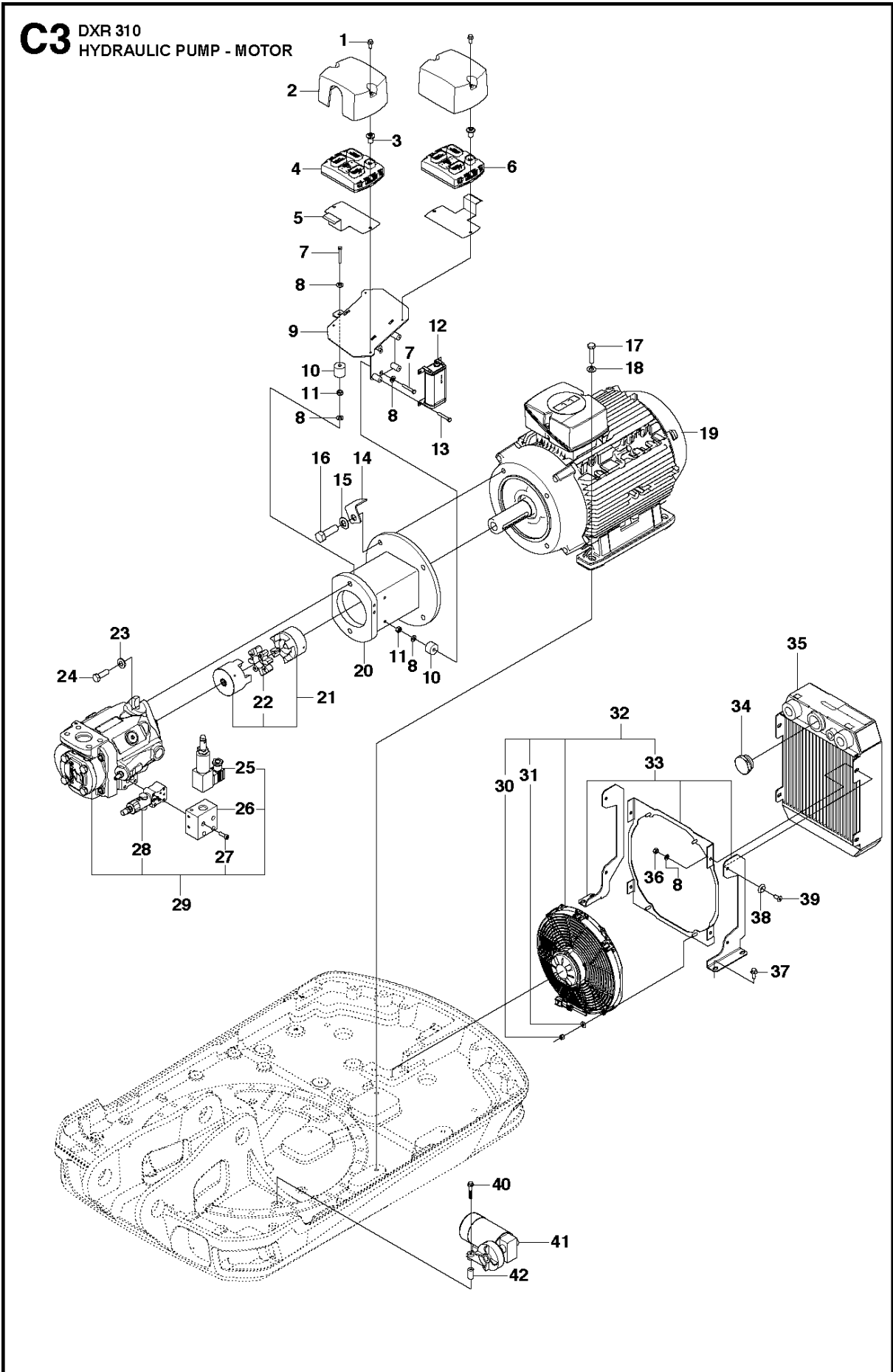
E2 DXR 310
HYDRAULIC HOSES TRACKS & SUPPORT LEGS



HYDRAULIC HOSES TRACKS & SUPPORT LEGS
2013-08

DXR310, Valid for machine 44 and forward,

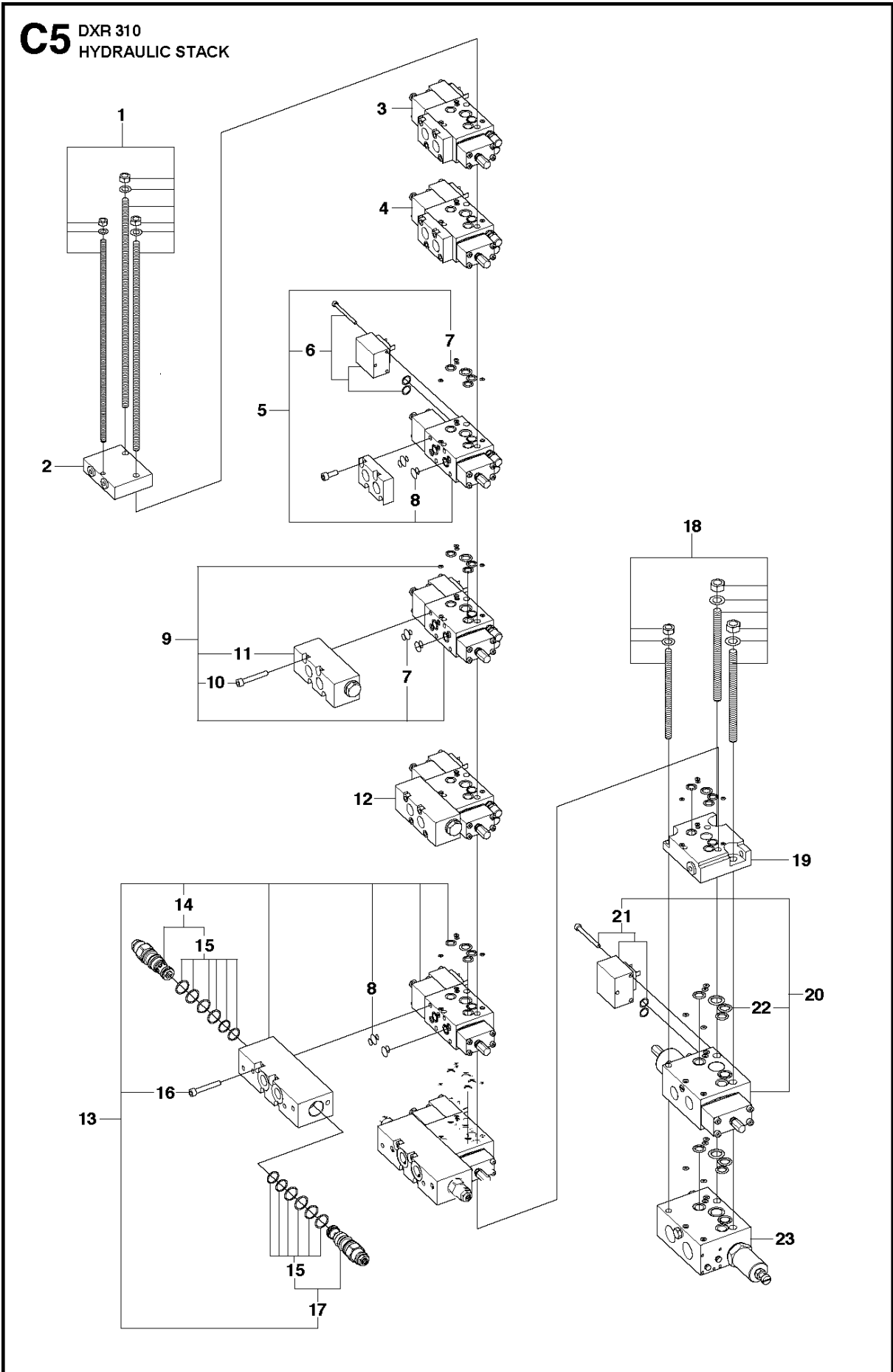
Ref	Part No	Description	Remark	QTY KIT
1	510 22 87-02	HOSE ASSY		5
2	510 17 00-01	HOSE ASSY		4
3	505 34 27-01	ADAPTER		6
4	505 34 29-01	ADAPTER		4
5	510 17 44-03	HOSE ASSY		1
6	510 17 44-02	HOSE ASSY		1
7	510 24 58-01	ADAPTER		8
8	510 22 87-04	HOSE ASSY		2
9	522 73 00-01	ADAPTER		9
10	510 24 72-01	ADAPTER		4
11	510 22 87-01	HOSE ASSY		2
12	510 25 18-03	HOSE ASSY		2
13	510 24 73-01	ADAPTER		1
14	510 25 18-03	HOSE ASSY		2
15	510 24 57-01	ADAPTER		2



HYDRAULIC PUMP - MOTOR

DXR310, Valid for machine 44 and forward, 2013-08

Ref	Part No	Description	Remark	QTY	KIT
1	522 66 86-01	SCREW EHHFM		4	
2	574 66 49-01	PROTECTION		2	
3	574 70 15-01	SCREW		4	
4	576 73 75-01	ELECTRONIC BOX	Master	1	
5	574 70 14-01	BRACKET		2	
6	576 73 75-02	ELECTRONIC BOX	Slave	1	
7	725 24 45-71	SCREW EHHM		3	
8	522 67 16-01	WASHER		6	
9	576 27 23-01	BRACKET		1	
10	510 28 25-01	DAMPER		3	
11	731 23 18-01	HEXAGON NUT		3	
12	505 27 45-02	ELECTRIC BOX		1	
13	725 52 87-01	SCREW IHSCM		4	
14	522 73 37-01	BRACKET		2	
15	522 67 19-01	WASHER		8	
16	522 66 79-01	SCREW EHHM		4	
17	525 40 12-01	SCREW EHHFM		4	
18	525 39 55-01	WASHER		4	
19	579 44 30-01	MOTOR	22 kW	1	
20	578 90 89-01	BRACKET		1	
21	510 09 71-01	COUPLING		1	
22	510 01 68-01	COUPLING	rubber part	1	
23	522 67 18-01	WASHER		2	
24	510 24 12-01	SCREW IHSCM		2	
25	576 03 64-01	VALVE		1	29
26	575 38 74-01	MANIFOLD		1	29
27	593 10 45-01	BOLT		4	29
28	575 38 76-01	REGULATOR		1	29
29	506 00 72-02	HYDRAULIC PUMP		1	
30	522 66 93-01	LOCK NUT		4	32
31	522 67 15-01	WASHER		4	32
32	523 03 20-01	FAN		1	
33	523 04 44-01	BRACKET		1	32
34	585 31 48-01	VALVE		1	
35	523 03 21-01	OIL COOLER		1	
36	522 66 94-01	LOCK NUT		4	
37	522 70 71-01	SCREW EHHFM		4	
38	523 04 24-01	WASHER		4	
39	725 64 51-01	SCREW IHCSFM		4	
40	522 70 68-01	SCREW EHHFM		2	
41	589 38 14-01	OIL PUMP		1	
42	522 51 65-01	SLEEVE		2	

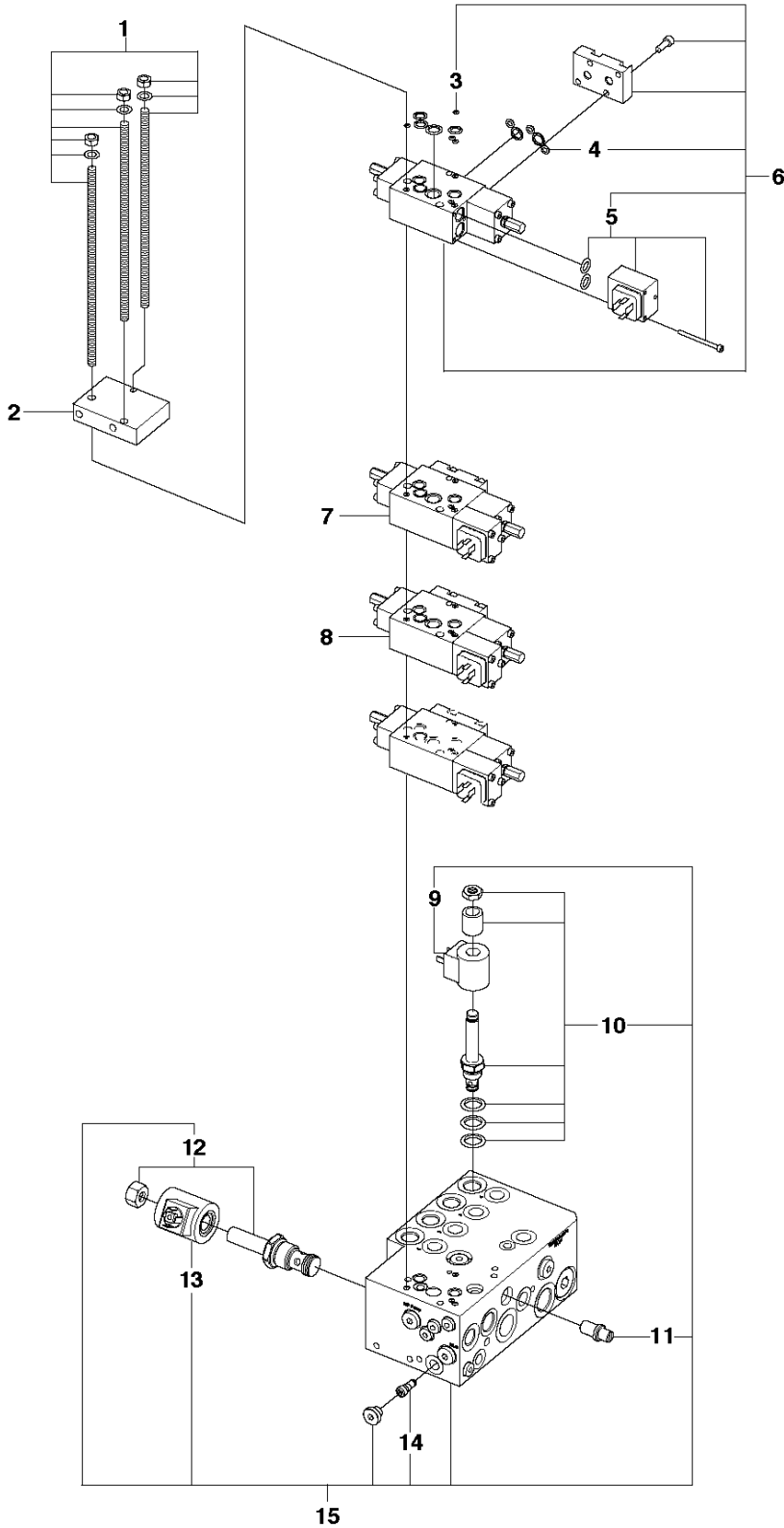


HYDRAULIC STACK

DXR310, Valid for machine 44 and forward, 2013-08

Ref	Part No	Description	Remark	QTY	KIT
23	522 79 95-01	VALVE		1	
1	522 96 34-01	TAP	5 sections	1	
1	523 06 20-01	TAP	Extra hydraulic function 1 (6 sections)	1	
1	523 06 24-01	TAP	Extra hydraulic function 2 (7 sections)	1	
2	522 80 04-01	VALVE		1	
3	576 38 72-01	VALVE		3	
4	576 38 72-01	VALVE		5	
5	522 80 02-01	VALVE	C5	5	
6	522 96 13-01	SOLENOID		8	
7	522 96 14-01	O-RING	C4	2	
8	522 96 16-01	O-RING		7	
9	522 80 01-01	VALVE	C4	1	
10	725 53 78-51	SCREW IHSCM		2	
11	522 96 25-01	VALVE		2	10
12	522 80 00-01	VALVE	C3	4	10
13	522 79 99-01	VALVE	C1, C2	8	10
14	522 96 22-01	VALVE		2	10
15	522 96 24-01	O-RING		1	
16	725 53 80-51	SCREW IHSCM		1	
17	522 96 23-01	VALVE		1	
21	522 96 18-01	SOLENOID		1	
22	522 96 19-01	O-RING		2	
18	522 96 33-01	TAP		2	17
19	522 79 98-01	VALVE		1	17
20	522 79 97-01	VALVE	Tool	1	

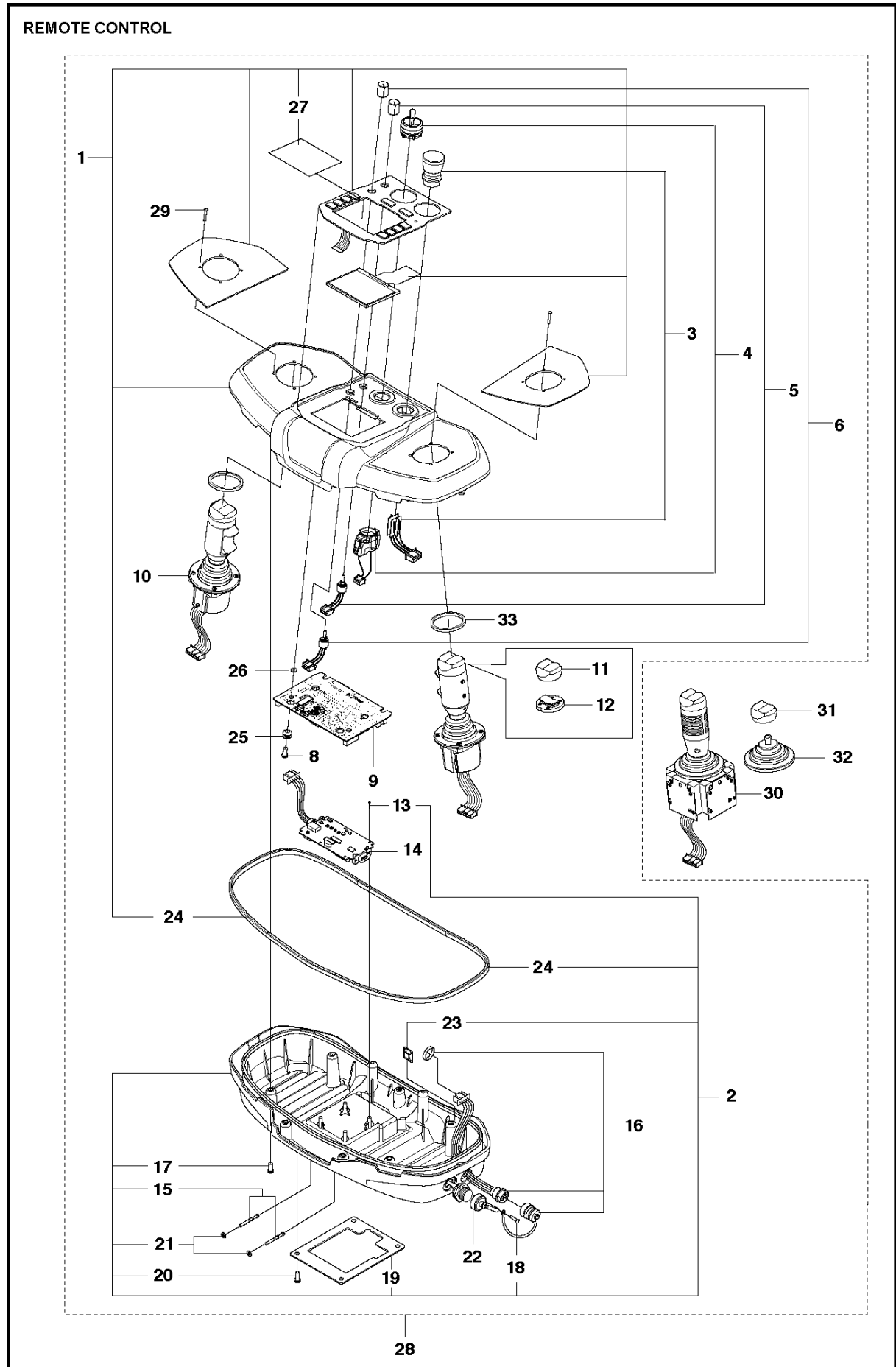
C4 DXR 310
HYDRAULIC STACK



HYDRAULIC STACK

DXR310, Valid for machine 44 and forward, 2013-08

Ref	Part No	Description	Remark	QTY KIT	
1	522 96 36-01	TAP	4 sections	1	
2	522 80 04-01	VALVE		1	
3	522 96 14-01	O-RING		5	6
4	522 96 16-01	O-RING		5	6
5	522 96 13-01	SOLENOID		4	6
6	522 80 10-01	VALVE	Slew motor	1	
7	522 80 09-01	VALVE	Outriggers	1	
8	522 80 06-01	VALVE	Track drive motor left & right	2	
9	522 95 87-01	SOLENOID		4	15
10	522 95 85-01	VALVE	Outriggers	4	15
11	522 95 99-01	VALVE	Pressure reducing valve, Pilot pressure	1	15
12	522 95 92-01	VALVE	circulation valve	1	15
13	522 95 93-01	SOLENOID		1	15
14	522 96 00-01	VALVE	Shuttel valve, Load- sensing signal	1	15
15	522 95 81-01	MANIFOLD		1	



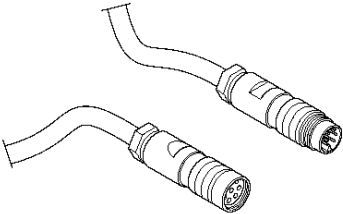
REMOTE CONTROL

DXR310, Valid for machine 44 and forward, 2013-08

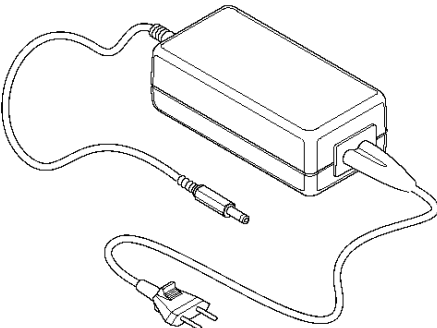
Ref	Part No	Description	Remark	QTY	KIT
1	587 36 11-01	COVER KIT		1	28
2	587 36 61-01	COVER KIT		1	28
3	510 36 33-01	SWITCH	Machine stop	1	28
4	510 36 35-01	SWITCH	Main switch, ON/OFF	1	28
5	522 96 65-01	POTENTIOMETER	Tool	1	28
6	522 96 66-01	POTENTIOMETER	Machine	1	28
8	522 66 89-01	SCREW CRPANT		4	28
9	510 21 73-07	CONTROL BOARD	No firmware installed	1	28
10	582 45 09-01	JOYSTICK		1	28
11	582 42 18-01	PROTECTION		1	10
12	582 42 10-01	BUTTON KIT		1	10
13	522 79 66-01	SCREW CCRPANT		4	2,28
14	510 21 78-01	CONTROL BOARD	Bluetooth	1	28
15	510 22 26-01	SPRING PIN		2	2,28
16	522 96 67-01	CONNECTION	Communication cable	1	28
17	503 21 74-16	SCREW IHST		9	2,28
18	523 00 50-01	SCREW CRPANT		1	2,28
19	510 10 85-01	PLATE		1	2,28
20	586 18 79-01	SCREW CRPANT		4	2,28
21	734 11 24-01	WASHER		1	2,28
22	586 14 66-01	CONTACT	USB	1	28
23	577 96 36-01	CABLE HOLDER		1	2,28
24	576 88 80-05	SEALING STRIP		1	1,2,28
25	510 21 76-01	BUSHING		1	28
26	734 11 36-60	WASHER		1	28
27	585 30 68-01	PROTECTION		1	1,28
28	585 16 11-01	REMOTE CONTROL		1	
29	582 42 06-02	SCREW		1	28
30	510 21 40-01	JOYSTICK	LEFT	1	
30	510 21 40-02	JOYSTICK	RIGHT	1	
31	576 63 31-01	SEAL		2	30
32	576 63 32-01	SEAL		2	30
33	589 75 28-01	WASHER		1	28

F2 REMOTE CONTROL ACCESSORIES

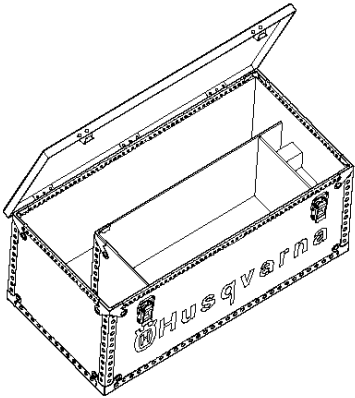
3



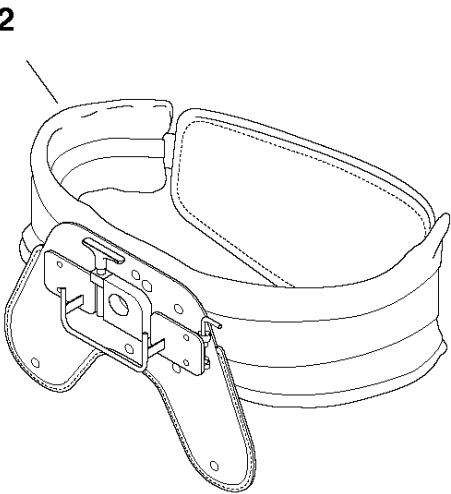
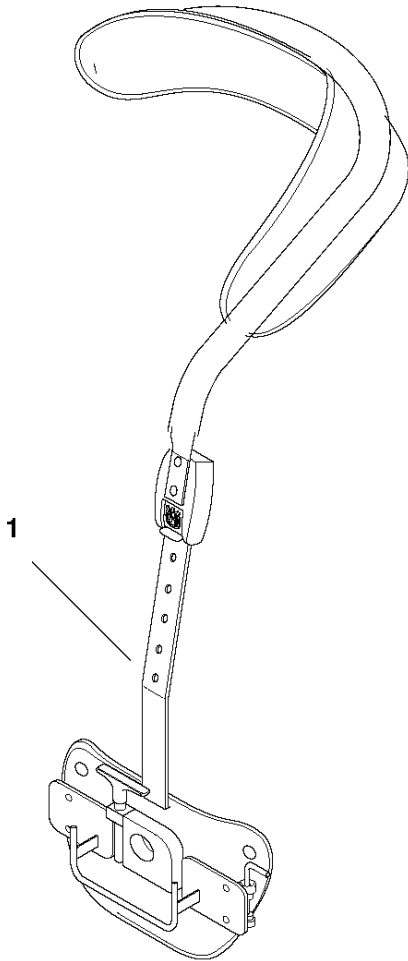
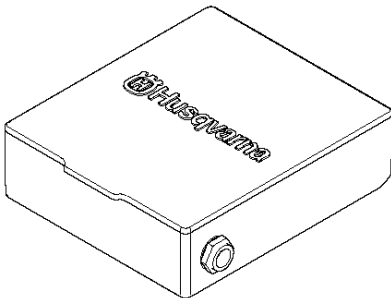
4



5



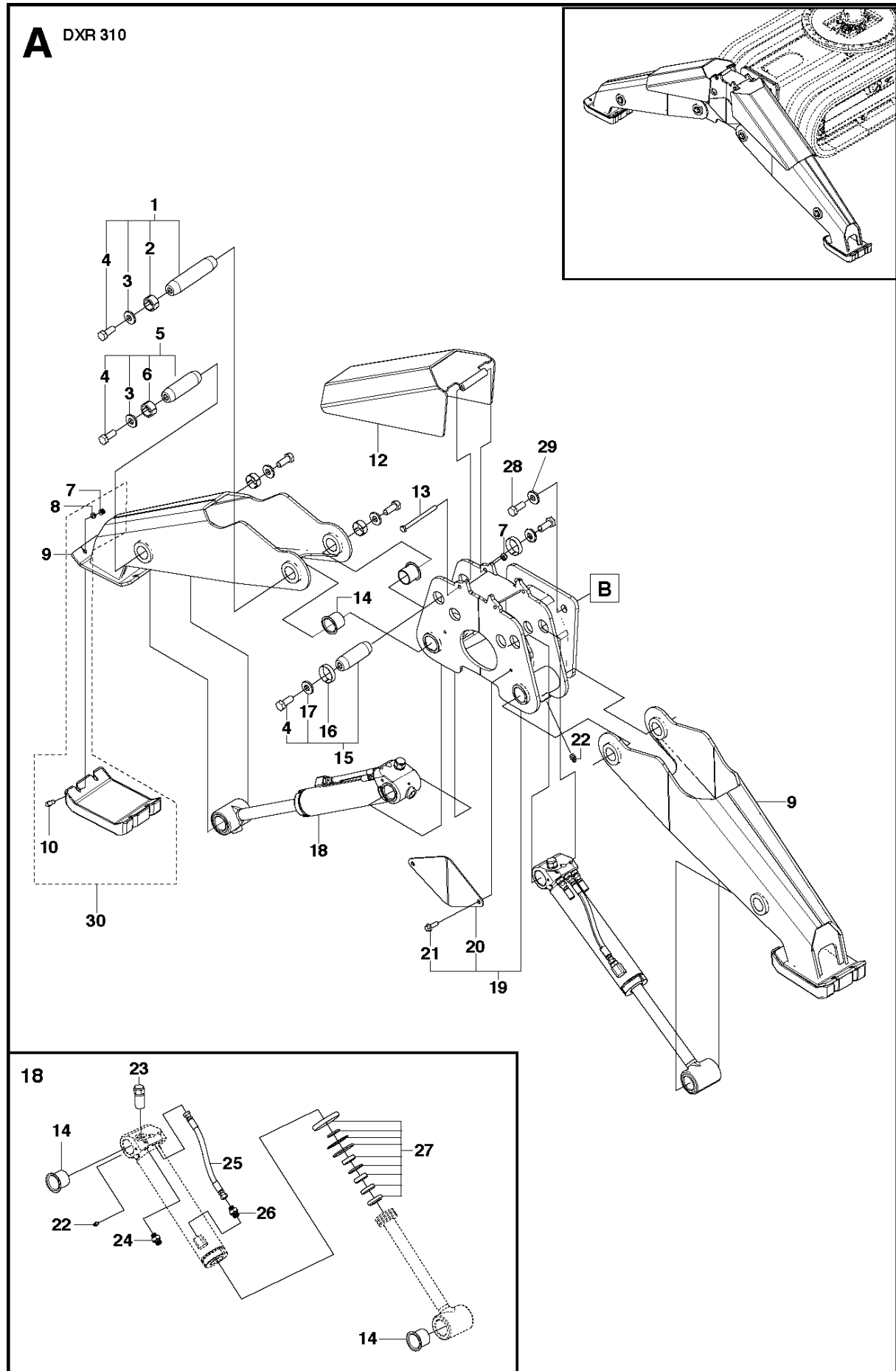
6



REMOTE CONTROL ACCESSORIES

DXR310, Valid for machine 44 and forward, 2013-08

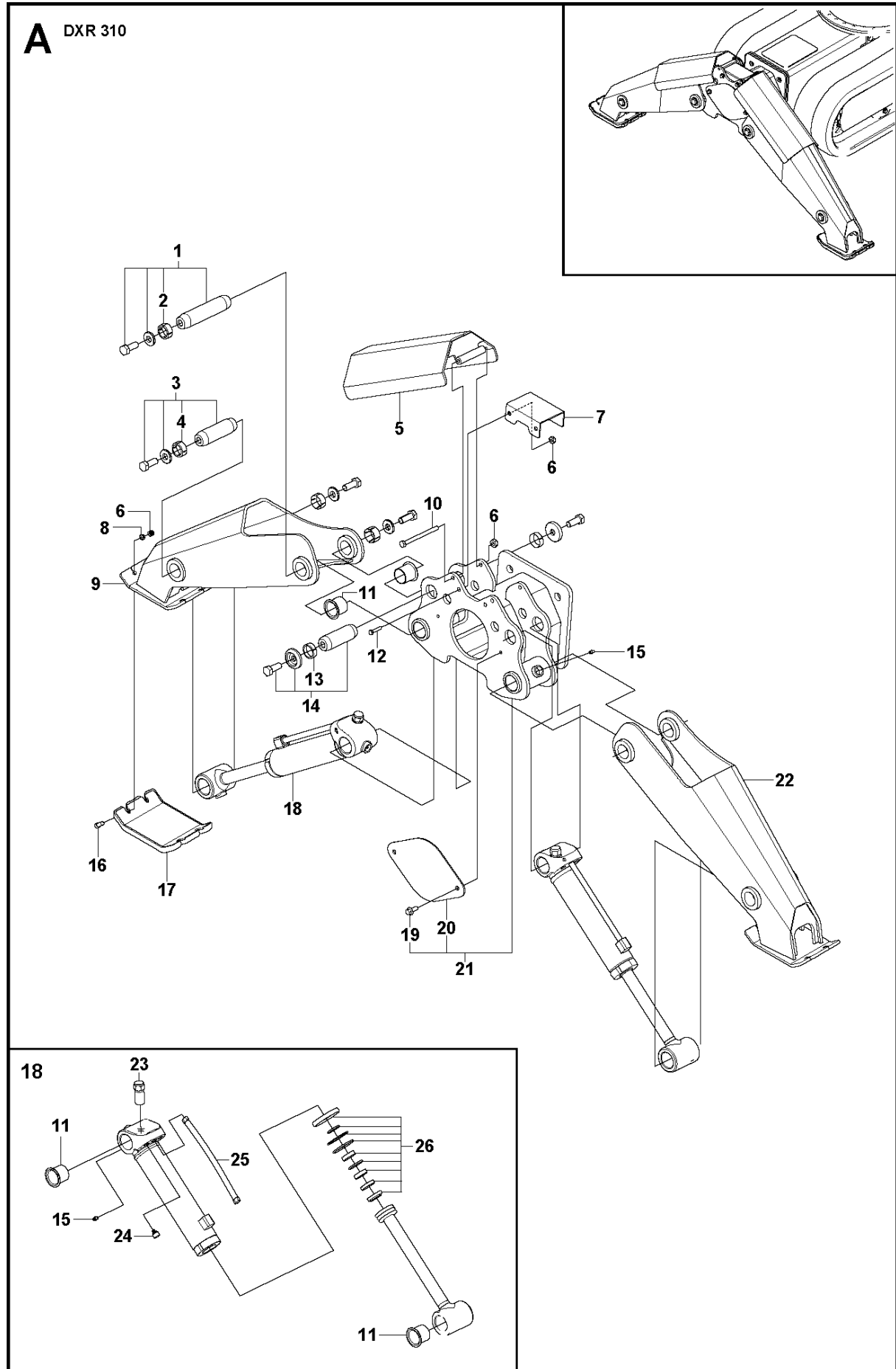
Ref	Part No	Description	Remark	QTY KIT
1	501 79 30-01	HARNES		1
2	501 79 31-01	HARNES		1
3	510 28 20-01	CABLE		1
4	510 28 50-03	CHARGER		1
5	525 74 75-01	PACKING		1
6	587 31 16-01	BATTERY		1



SUPPORT LEGS, Valid for machine 103 and forward
2013-08

DXR310, Valid for machine 44 and forward,

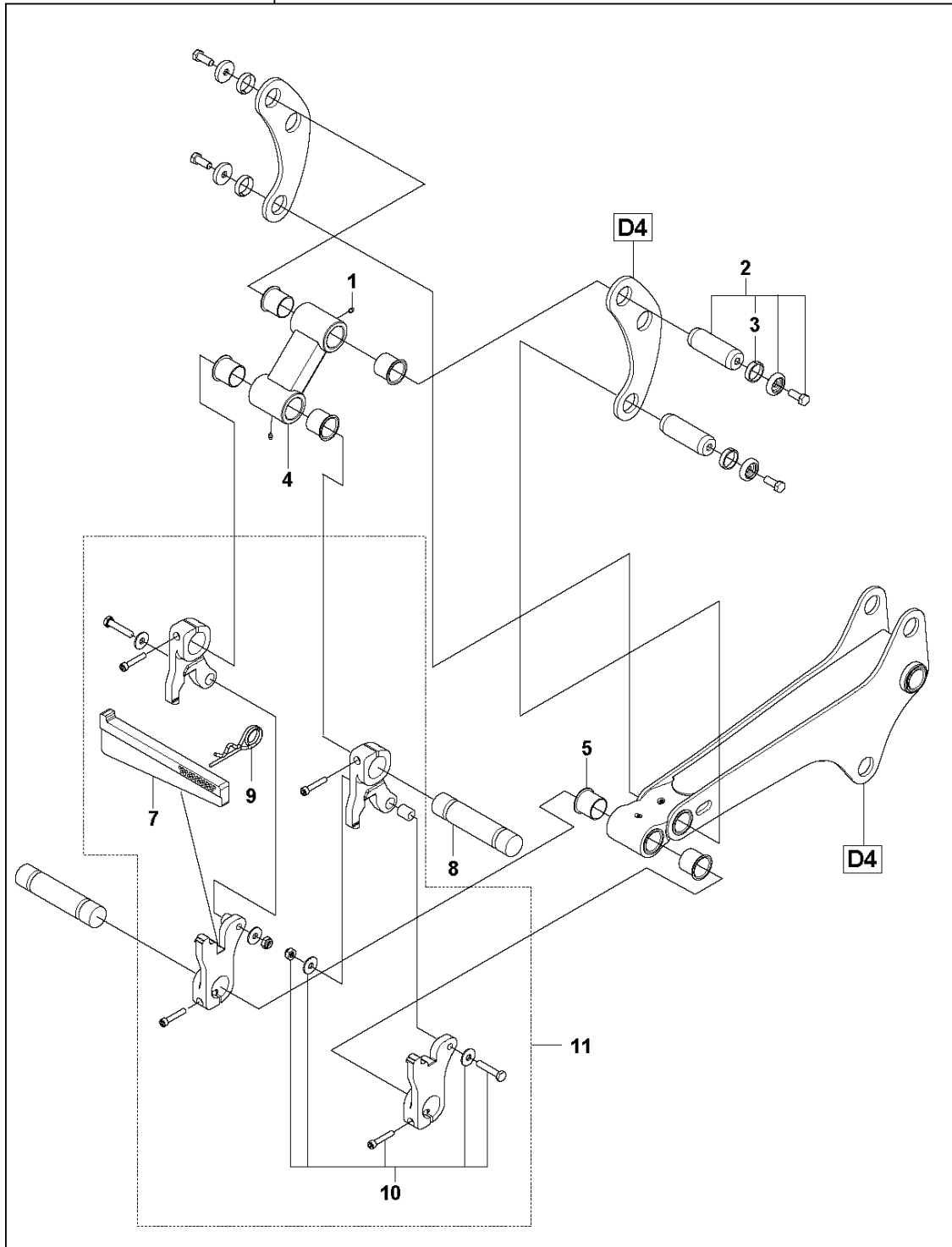
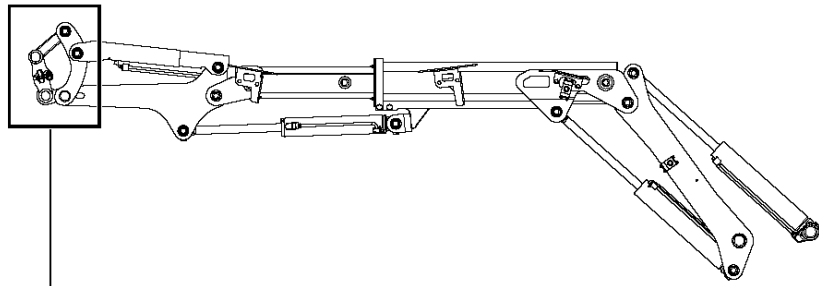
Ref	Part No	Description	Remark	QTY	KIT
1	505 25 20-01	SHAFT ASSY		4	
2	522 84 13-01	SLEEVE		4	
3	582 30 03-01	WASHER		8	
4	522 84 23-01	SCREW EHHM		12	
5	505 25 18-01	SHAFT ASSY		4	
6	522 84 12-01	SLEEVE		4	
7	522 66 95-01	LOCK NUT		16	
8	522 67 17-01	WASHER		16	
9	580 98 53-01	BEAM		4	
10	522 66 72-01	SCREW IHSCM		16	
12	581 63 97-01	PROTECTION		4	
13	576 43 68-01	SCREW EHHFM		8	
14	505 25 08-01	BEARING BUSH		16	
15	505 25 15-01	SHAFT ASSY		4	
16	522 84 11-01	SLEEVE		4	
17	522 84 19-01	WASHER		2	
18	581 00 05-01	HYDRAULIC CYLINDER		4	
19	580 98 94-01	BRACKET		2	
20	580 99 19-01	PLATE		1	
21	574 25 89-01	SCREW EHHFM		2	
22	504 89 53-01	LUBRICATION NIPPLE		8	18
23	581 00 03-01	VALVE		4	18
24	522 73 00-01	ADAPTER		16	18
25	510 22 87-08	HOSE ASSY		4	18
26	510 24 58-01	ADAPTER		16	
27	522 85 74-01	SEAL		4	18
28	522 80 72-01	SCREW IHSCM		8	
29	522 67 22-01	WASHER		8	
30	587 18 63-02	FOOTPLATE		1	7,8,10,1 1



SUPPORT LEGS, Valid for machine 44 - 102 DXR310, Valid for machine 44 and forward, 2013-08

Ref	Part No	Description	Remark	QTY	KIT
1	505 25 20-01	SHAFT ASSY		4	
2	522 84 13-01	SLEEVE		4	
3	505 25 18-01	SHAFT ASSY		4	
4	522 84 12-01	SLEEVE		4	
5	576 36 69-01	PROTECTION		4	
6	522 66 95-01	LOCK NUT		16	
7	576 36 73-01	PLATE		2	
8	522 67 17-01	WASHER		16	
9	504 89 46-01	BEAM		2	
10	576 43 68-01	SCREW EHHFM		8	
11	505 25 08-01	BEARING BUSH		16	
12	522 70 67-01	SCREW EHHFM		2	
13	522 84 11-01	SLEEVE		4	
14	505 25 15-01	SHAFT ASSY		4	
15	504 89 53-01	LUBRICATION NIPPLE		2	18
16	522 66 72-01	SCREW IHSCM		16	
17	505 03 46-01	RUBBER FOOT		4	
18	521 90 78-01	CYLINDER		4	
19	574 25 89-01	SCREW EHHFM		2	
20	576 12 57-01	PLATE		2	
21	575 73 43-01	KIT		2	
22	504 91 01-01	BEAM		2	
23	522 86 91-01	VALVE		4	18
24	522 73 00-01	ADAPTER		4	18
25	510 22 87-05	HOSE ASSY		4	18
26	522 85 74-01	SEAL		4	18

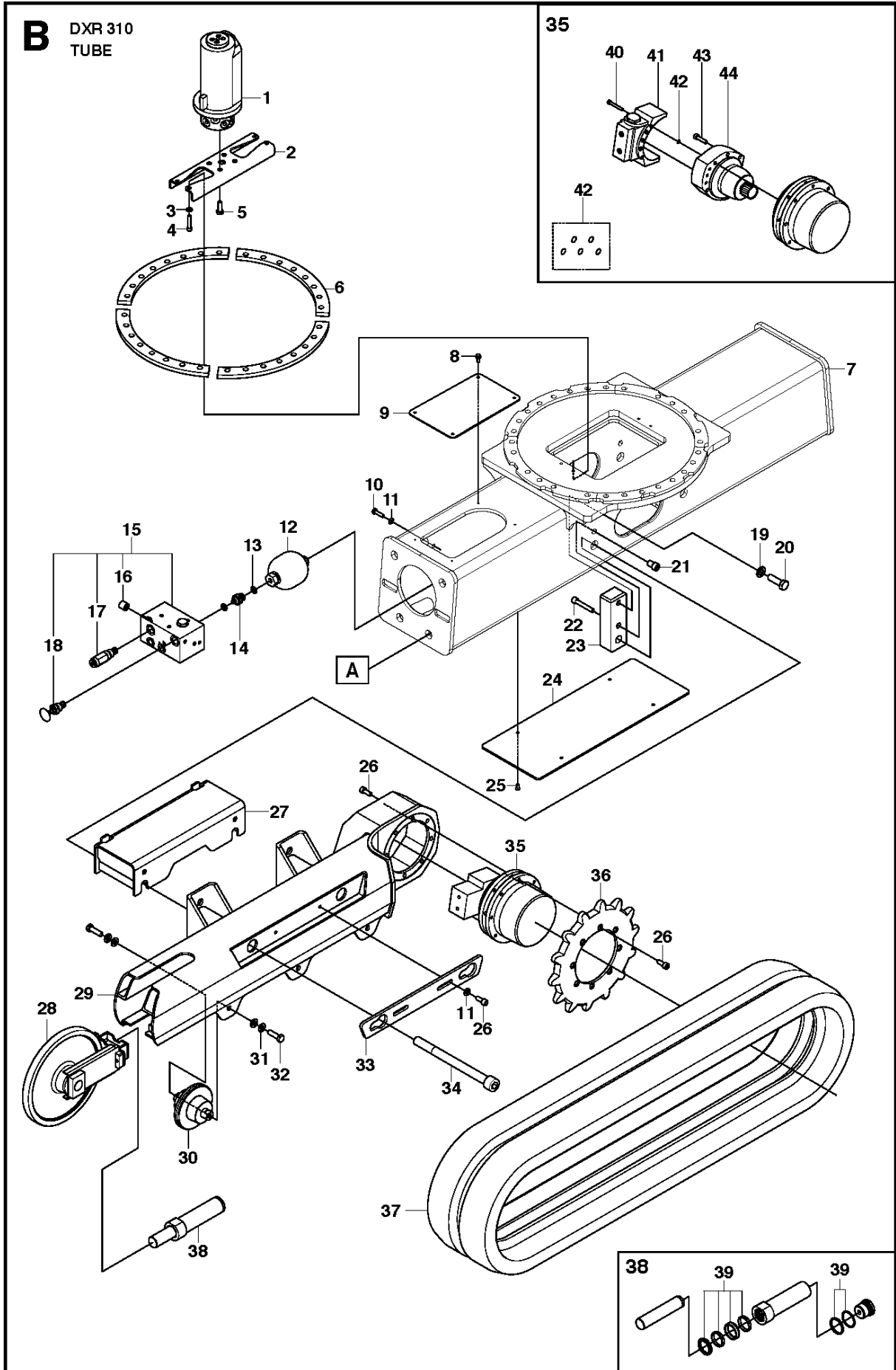
D5 DXR 310
TOOLS



TOOLS

DXR310, Valid for machine 44 and forward, 2013-08

Ref	Part No	Description	Remark	QTY	KIT
1	504 89 53-01	LUBRICATION NIPPLE		2	
2	504 90 58-01	SHAFT ASSY		1	
3	522 84 14-01	SLEEVE		2	2
4	585 43 40-01	ARM		1	
5	504 89 49-01	BEARING BUSH		6	
	522 70 65-01	SCREW IHSETM	valid for old tool hitch	4	11
7	586 37 71-01	WEDGE		1	11
7	505 32 26-01	WEDGE	valid for old tool hitch	1	11
8	586 39 64-01	SHAFT		1	11
8	505 56 76-01	SHAFT	valid for old tool hitch	1	
9	588 93 82-01	COTTER		1	11
9	505 32 30-01	CLIP	valid for old tool hitch	1	11
10	582 60 61-01	LOOSE PARTS KIT		1	11
10	574 36 62-01	KIT	valid for old tool hitch	1	11
11	586 37 65-01	HITCH		1	
11	505 32 57-01	HITCH	valid for old tool hitch	1	



TUBE

DXR310, Valid for machine 44 and forward, 2013-08

Ref	Part No	Description	Remark	QTY	KIT
1	505 29 25-01	SWIVEL		1	
2	504 88 67-01	BRACKET		1	
3	522 67 16-01	WASHER		4	
4	725 54 55-01	SCREW IHSCM		4	
5	522 70 66-01	SCREW EHHFM		4	
6	504 89 63-01	SPACER		4	
7	588 15 65-01	BODY		1	
8	522 66 86-01	SCREW EHHFM		4	
9	505 21 58-01	PLATE		1	
10	522 66 81-01	SCREW EHHM		2	
11	522 67 17-01	WASHER		6	
12	504 89 84-01	ACCUMULATOR		1	
13	521 89 30-01	WASHER		2	
14	510 19 01-01	ADAPTER		1	
15	515 98 14-01	VALVE HOUSING		1	
16	522 51 65-01	SLEEVE		1	15
17	515 98 19-01	VALVE		1	15
18	515 98 18-01	VALVE		1	15
19	522 67 19-01	WASHER		4	
20	522 66 79-01	SCREW EHHM		4	
21	580 83 34-01	GUIDE PIN		4	
22	522 66 73-01	SCREW IHSCM		4	
23	504 89 67-01	BLOCK		4	
24	505 21 41-01	PLATE		1	
25	522 66 91-01	SCREW IHCSFM		2	
26	501 06 21-01	SCREW IHSCM		52	
27	505 53 83-01	SPACER		2	
28	574 44 02-01	TENSION ROLLER		2	
29	505 12 22-02	FRAME	left	1	
29	505 16 22-02	FRAME	right	1	
30	505 26 86-01	SUPPORT ROLLER		6	
31	510 24 36-01	WASHER		12	
32	522 66 80-01	SCREW EHHM		12	
33	505 23 57-01	LOCKING PLATE		2	
34	504 89 88-01	SCREW		4	
35	510 16 16-01	DRIVE MOTOR		2	
36	506 10 16-01	SPROCKET		2	
37	505 26 87-01	RUBBER TRACKS		2	
38	505 26 74-01	CYLINDER		2	
39	522 85 76-01	SEAL		2	38
40	725 54 67-51	SCREW IHSCM		4	35
41	522 96 49-01	VALVE KIT		2	35
42	522 96 50-01	SEAL		2	35
43	725 54 61-51	SCREW IHSCM	50mm	14	35
43	725 54 57-51	SCREW IHSCM	35 mm	8	35
44	522 96 47-01	HYDRAULIC MOTOR		2	35