

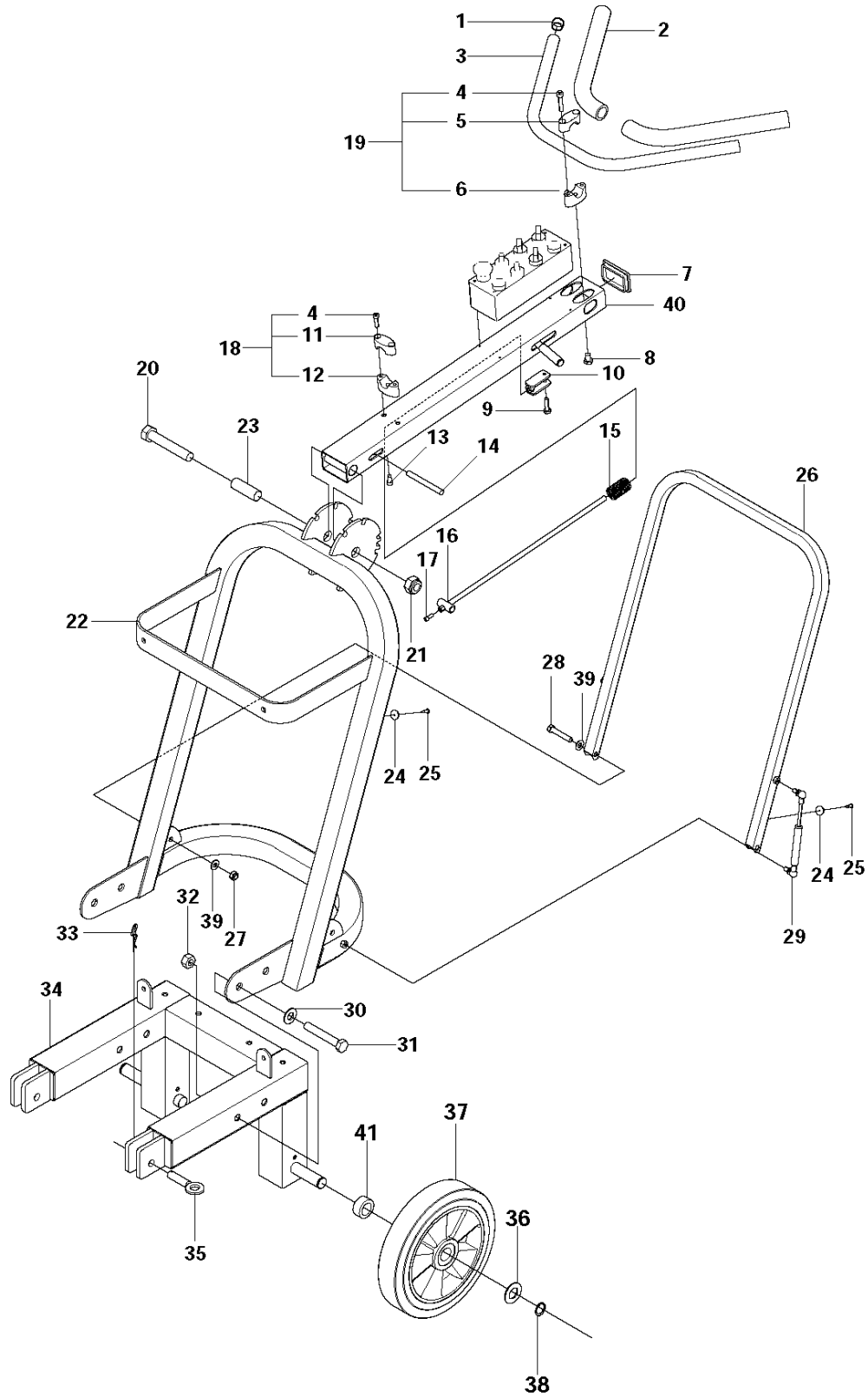


SPARE PARTS LIST

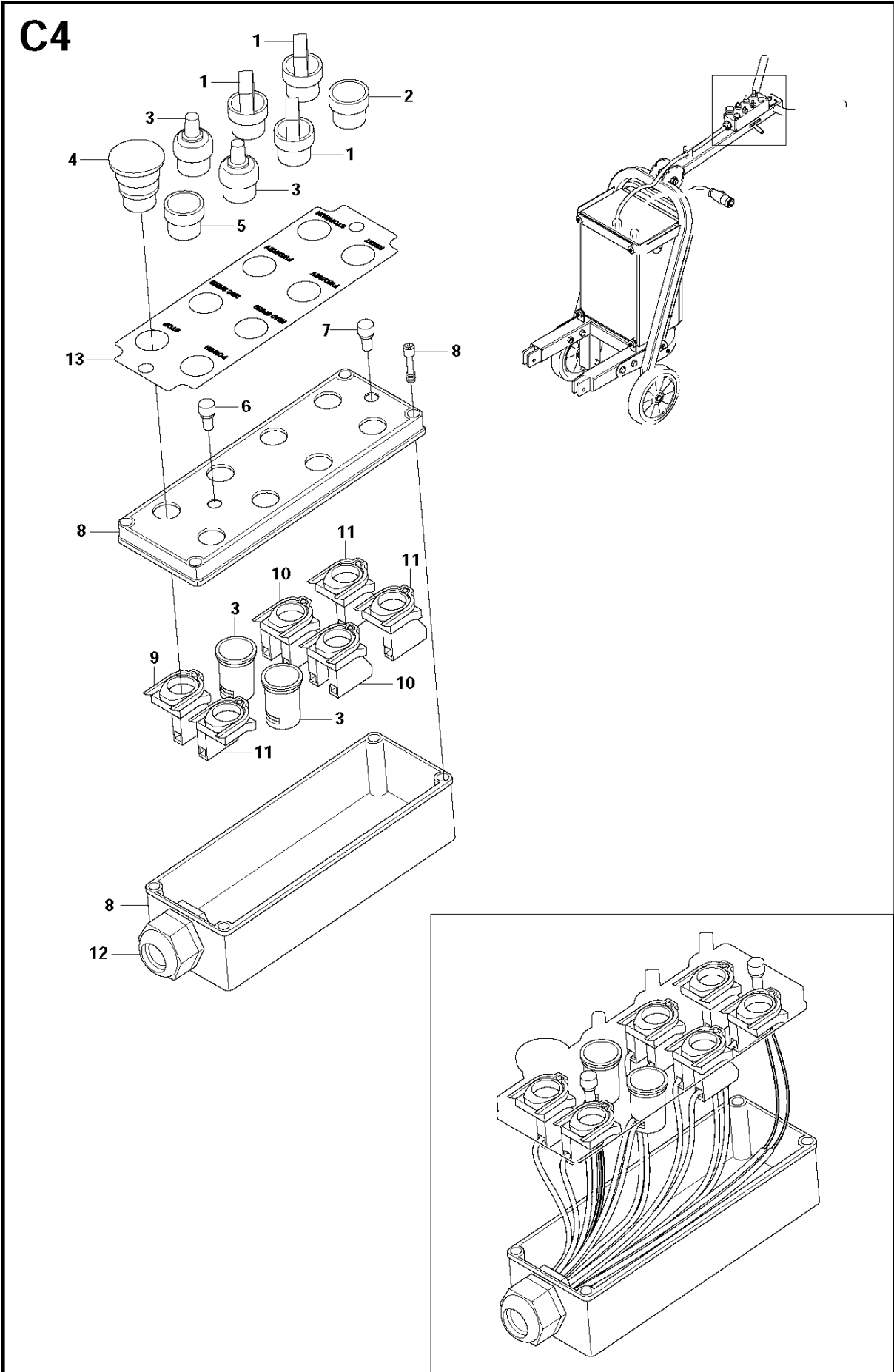
SURFACE PREPARATION EQUIPMENT

PG 680, To machine number 1108-9,
2008-09

B1

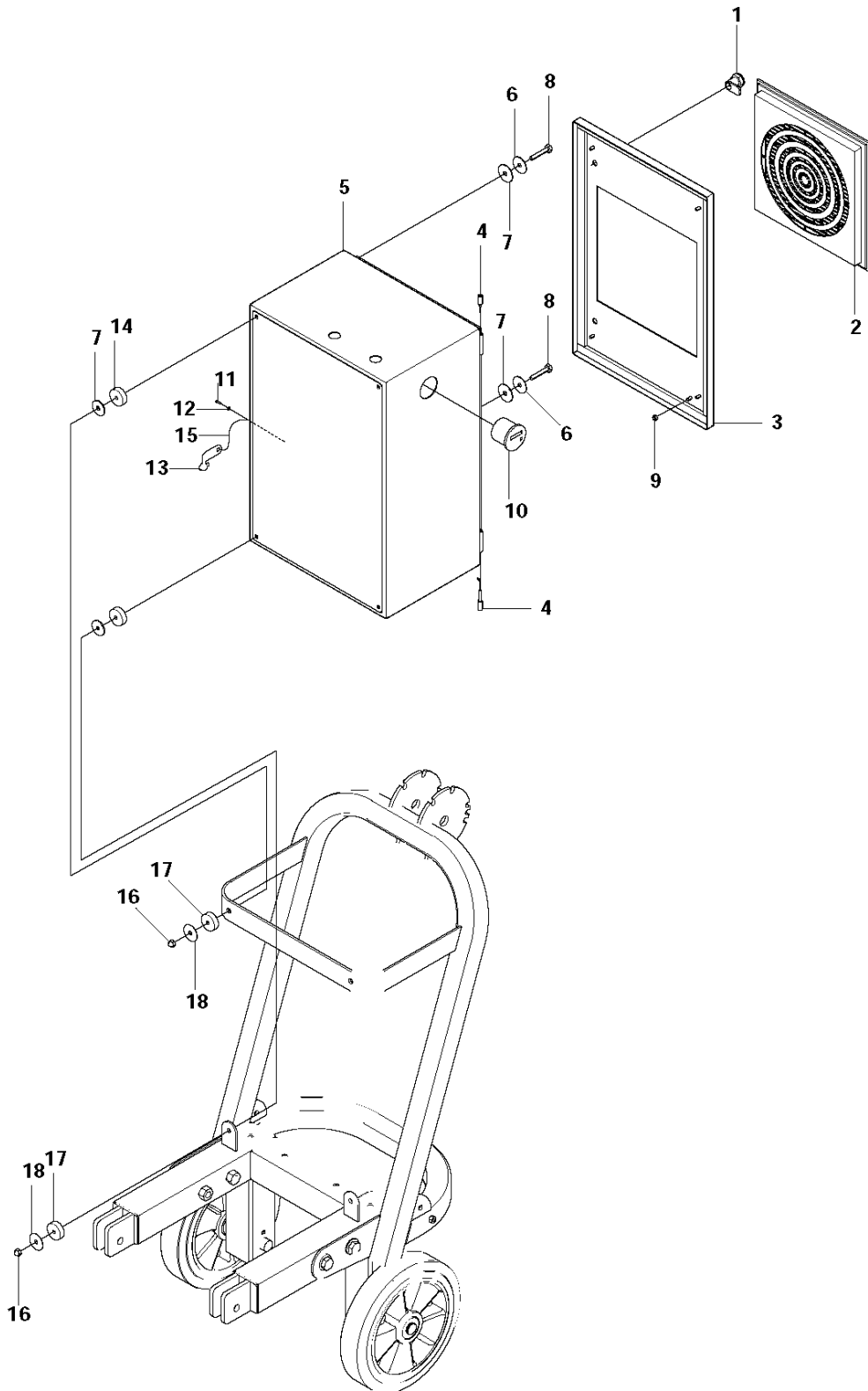


Ref	Part No	Description	Remark	QTY	KIT
1	516 05 87-01	HUB CAP		2	
2	502 54 49-22	RUBBER COVER		2	
3	502 54 49-20	HANDLE TUBE		1	
4	521 88 75-01	SCREW		6	19,18
5	516 05 88-01	CLAMP		2	19
6	516 05 89-01	CLAMP		2	19
7	516 05 90-01	HUB CAP		1	
8	725 24 89-71	SCREW EHHM		2	
9	725 24 55-76	SCREW EHHM		1	
10	502 54 49-05	BRACKET		1	
11	516 05 91-01	CLAMP		1	18
12	516 05 92-01	CLAMP		1	18
13	725 54 45-01	SCREW IHSCM		2	
14	516 05 93-01	PIN		1	
15	502 54 49-27	COMPRESSION SPRING		1	
16	516 05 95-01	ROD		1	
17	725 53 66-01	SCREW IHSCM		1	
18	502 54 49-26	HANDLE BAR		1	
19	502 54 49-25	HANDLE BAR		2	
20	504 75 07-01	SCREW		1	
21	504 75 06-01	LOCK NUT		1	
22	502 54 47-01	CHASSIS		1	
23	516 05 97-01	SLEEVE		1	
24	516 05 96-01	BUMPER		4	
25	521 88 65-01	SCREW		4	
26	502 54 47-07	BAR		1	
27	732 25 20-01	HEXAGON LOCKING NUT		2	
28	725 25 02-51	SCREW EHHM		2	
29	502 54 47-11	GAS STRUT		2	
30	734 11 86-01	WASHER		4	
31	504 75 13-01	SCREW EHHM		4	
32	731 23 24-01	HEXAGON NUT		2	
33	721 68 02-51	SPRING COTTER		2	
34	502 55 58-01	CHASSIS		1	
35	504 72 97-01	PIN		2	
36	504 75 14-01	WASHER		2	
37	502 54 50-01	WHEEL		2	
38	735 31 26-00	CIRCLIP		2	
39	734 11 72-01	WASHER		4	
40	502 54 49-02	HANDLEBAR ASSY		1	
41	504 72 77-07	SPACER TUBE		2	



Ref	Part No	Description	Remark	QTY KIT
1	504 73 86-01	SWITCH		3
2	504 73 88-01	PUSH BUTTON		1
3	502 54 29-01	POTENTIOMETER		2
4	504 73 94-01	BUTTON		1
5	504 73 90-01	PUSH BUTTON		1
6	504 73 97-01	LAMP		1
7	504 73 96-01	LAMP		1
8	502 54 46-01	ELECTRIC BOX		1
9	504 73 95-01	BUTTON BODY		1
10	504 73 87-01	BUTTON BODY		2
11	504 73 89-01	BUTTON BODY		3
12	502 55 51-01	ENCLOSURE		1
13	502 54 33-01	DECAL		1

B2

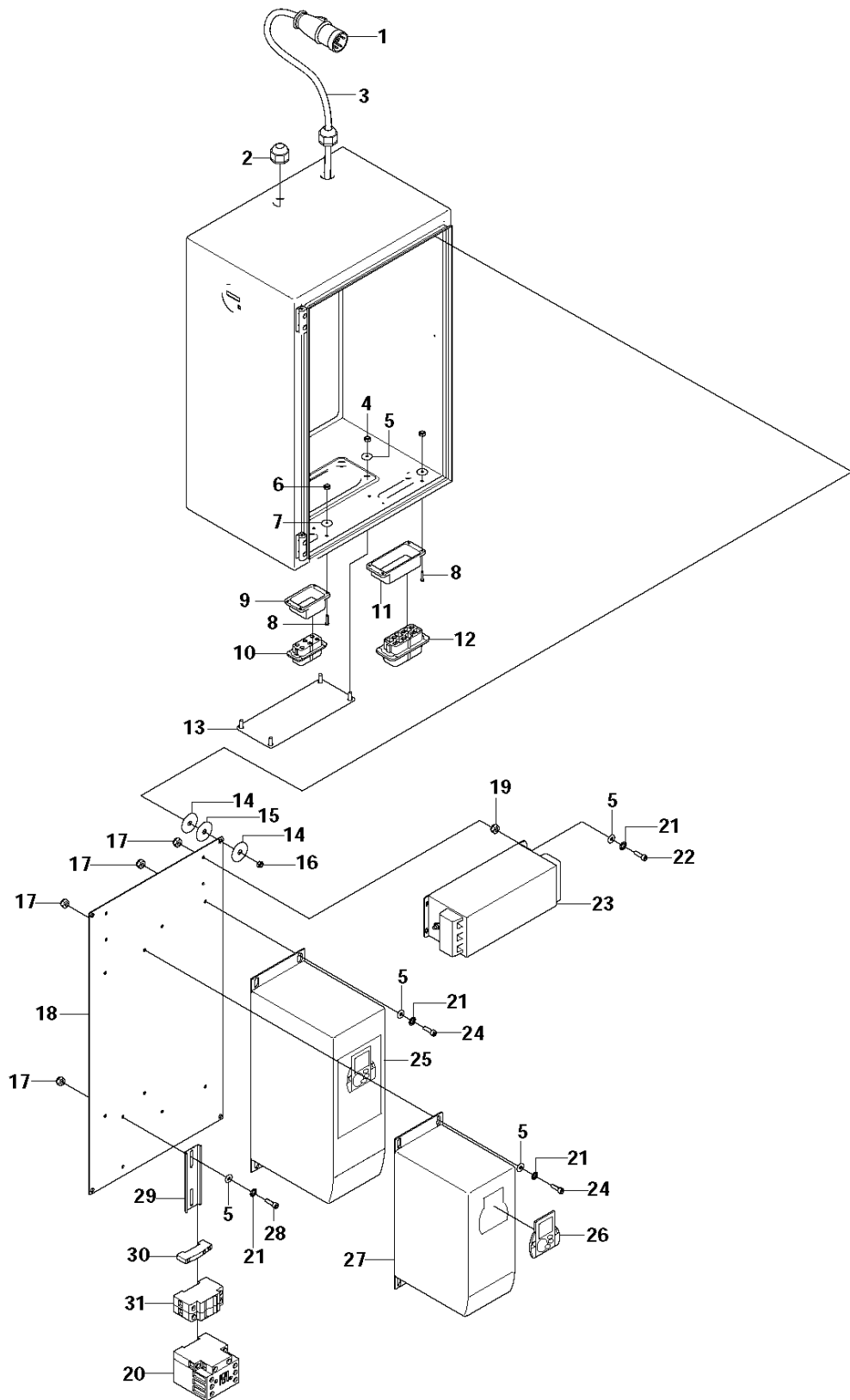


Electrical Box externals

PG 680, To machine number 1108-9, 2008-09

Ref	Part No	Description	Remark	QTY KIT
1	516 05 98-01	LATCH		2
2	502 54 41-01	VENT KIT		1
3	516 05 99-01	ELECTRIC BOX		1
4	516 06 00-01	PIN		2
5	502 54 43-01	ENCLOSURE		1
6	504 74 73-01	WASHER		4
7	516 06 01-01	WASHER		8
8	725 24 61-76	SCREW EHHM		4
9	732 25 16-01	HEXAGON LOCKING NUT		1
10	504 74 13-01	HOUR METER		1
11	521 88 64-01	SCREW		1
12	734 11 52-01	WASHER		1
13	516 06 02-01	KEY		1
14	502 53 39-01	WASHER		4
15	516 06 03-01	CABLE		1
16	504 75 30-01	FASTENER		4
17	515 98 41-01	WASHER		4
18	521 88 67-01	WASHER		4

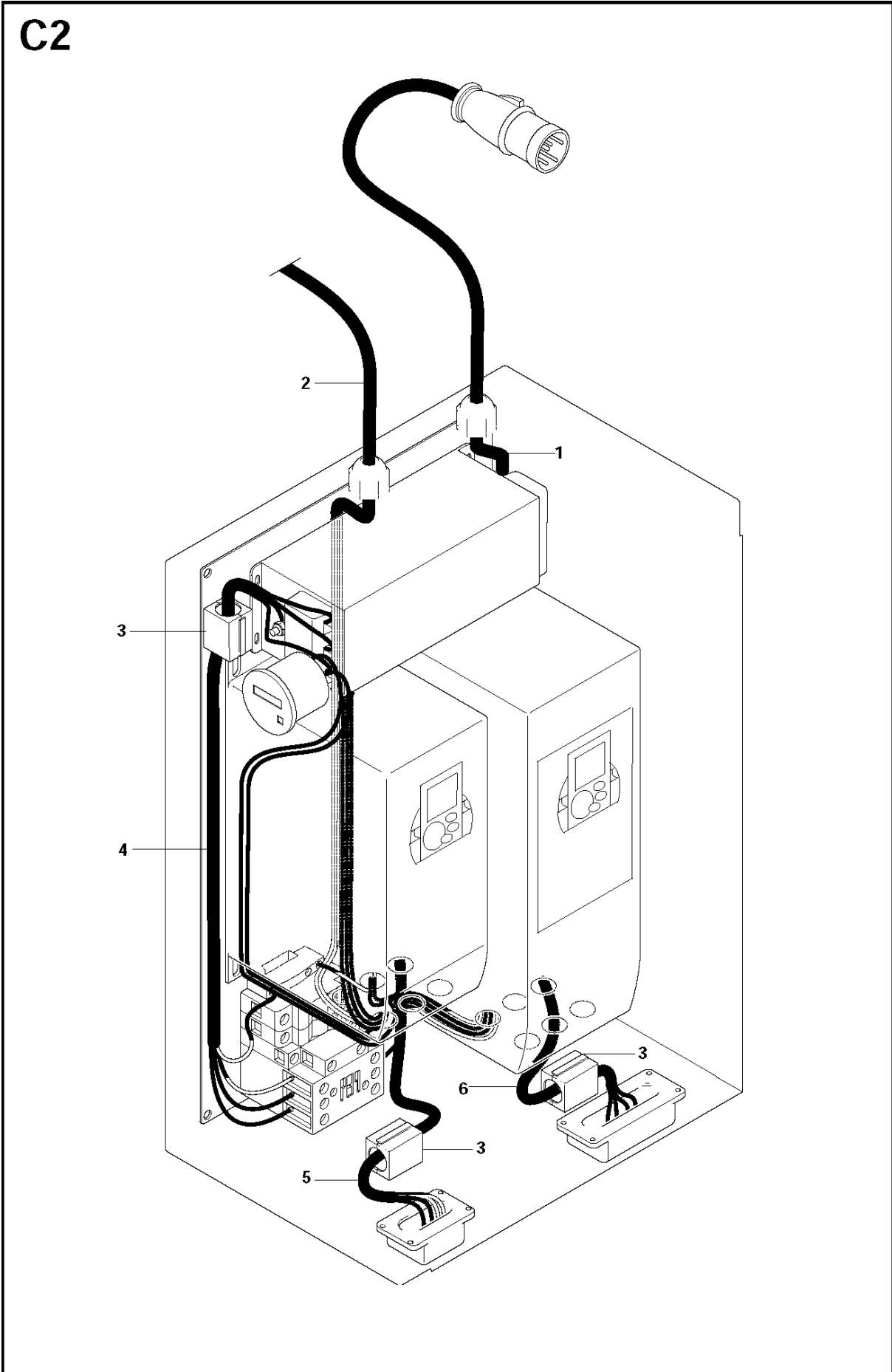
C3



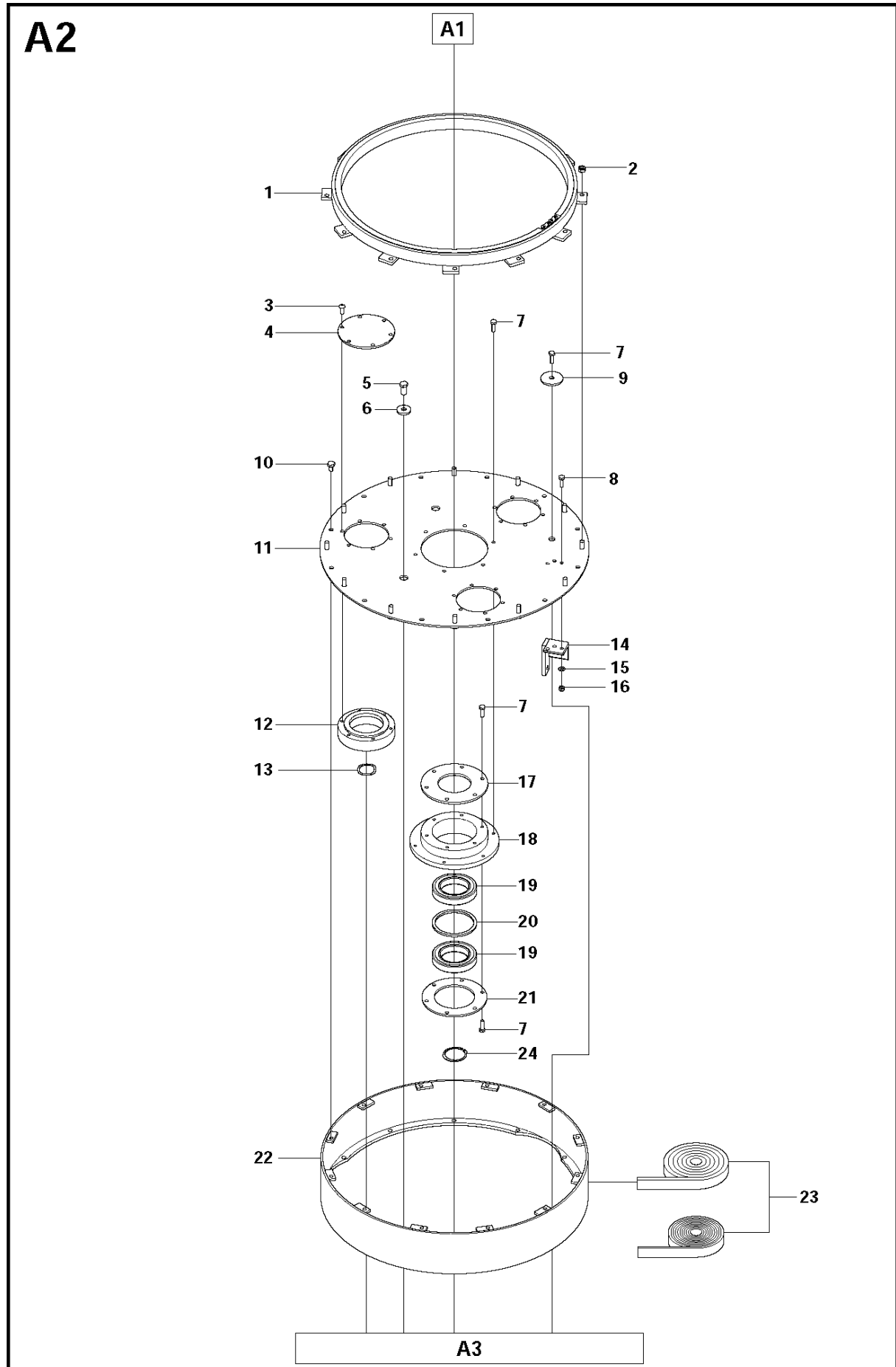
Electrical Box internals

PG 680, To machine number 1108-9, 2008-09

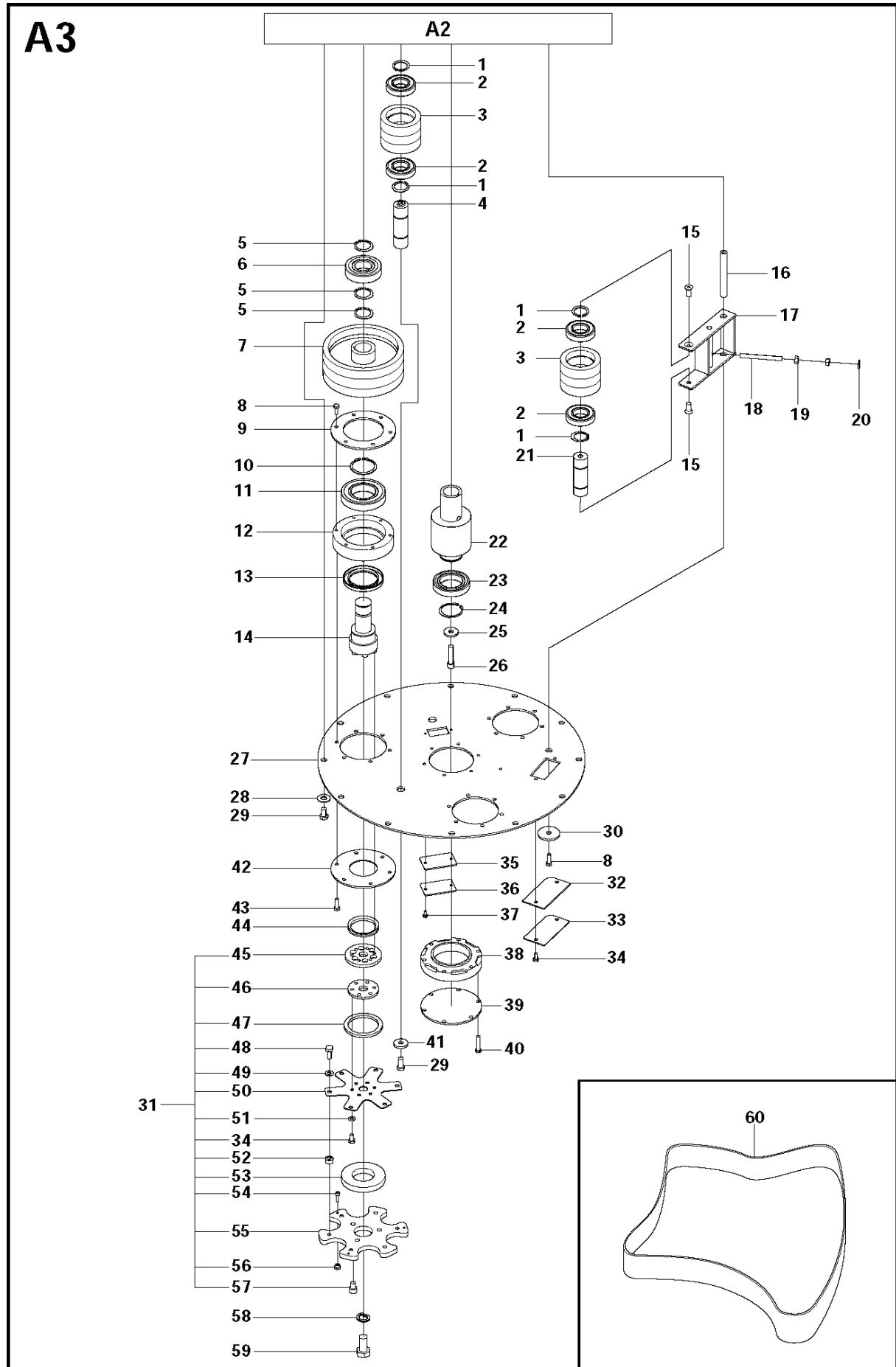
Ref	Part No	Description	Remark	QTY KIT
1a	502 54 40-01	PLUG	32AMP 4 PIN MALE PLUG - AUS (400V)	1
1b	515 98 55-01	PLUG	32AMP 4 PIN MALE PLUG - CAN (600V)	1
1c	531 11 71-36	PLUG	32AMP 5 PIN MALE PLUG - EU (400V)	1
1d	515 98 56-01	PLUG	63AMP 4 PIN MALE PLUG - JPN/USA (200V)	1
2	502 54 39-01	GROMMET		2
3	504 74 02-01	POWER CABLE		1
4	732 25 16-01	HEXAGON LOCKING NUT		4
5	734 11 52-01	WASHER		18
6	732 25 12-01	HEXAGON LOCKING NUT		8
7	734 11 37-41	WASHER		8
8	521 88 74-01	SCREW CRPANM		8
9	516 06 04-01	HOUSING		1
10	516 06 05-01	CONNECTOR		1
11	516 06 06-01	HOUSING		1
12	516 06 07-01	CONNECTOR		1
13	516 06 08-01	PLATE		1
14	504 74 73-01	WASHER		8
15	516 06 01-01	WASHER		4
16	732 25 18-01	HEXAGON LOCKING NUT		4
17	521 88 66-01	RIVET		14
18	516 06 09-01	PLATE		1
19	502 53 40-14	SPACER		8
20	502 54 36-01	CONTACTOR		1
21	735 21 53-01	LOCK WASHER		18
22	521 88 76-01	SCREW		4
23	504 71 71-01	FILTER		1
24	725 53 70-51	SCREW IHSCM		8
25	502 54 25-01	FREQUENCY INVERTER		1
26a	516 06 10-01	PANEL	NXL DISPLAY PANEL	2
26b	505 46 40-01	KEYBOARD	NXS DISPLAY PANEL	2
27	502 54 26-01	FREQUENCY INVERTER		1
28	541 40 51-78	SCREW IHPANM		2
29	516 06 11-01	RAIL		1
30	502 54 38-01	TERMINAL BLOCK		1
31	502 54 37-01	CIRCUIT BREAKER		1



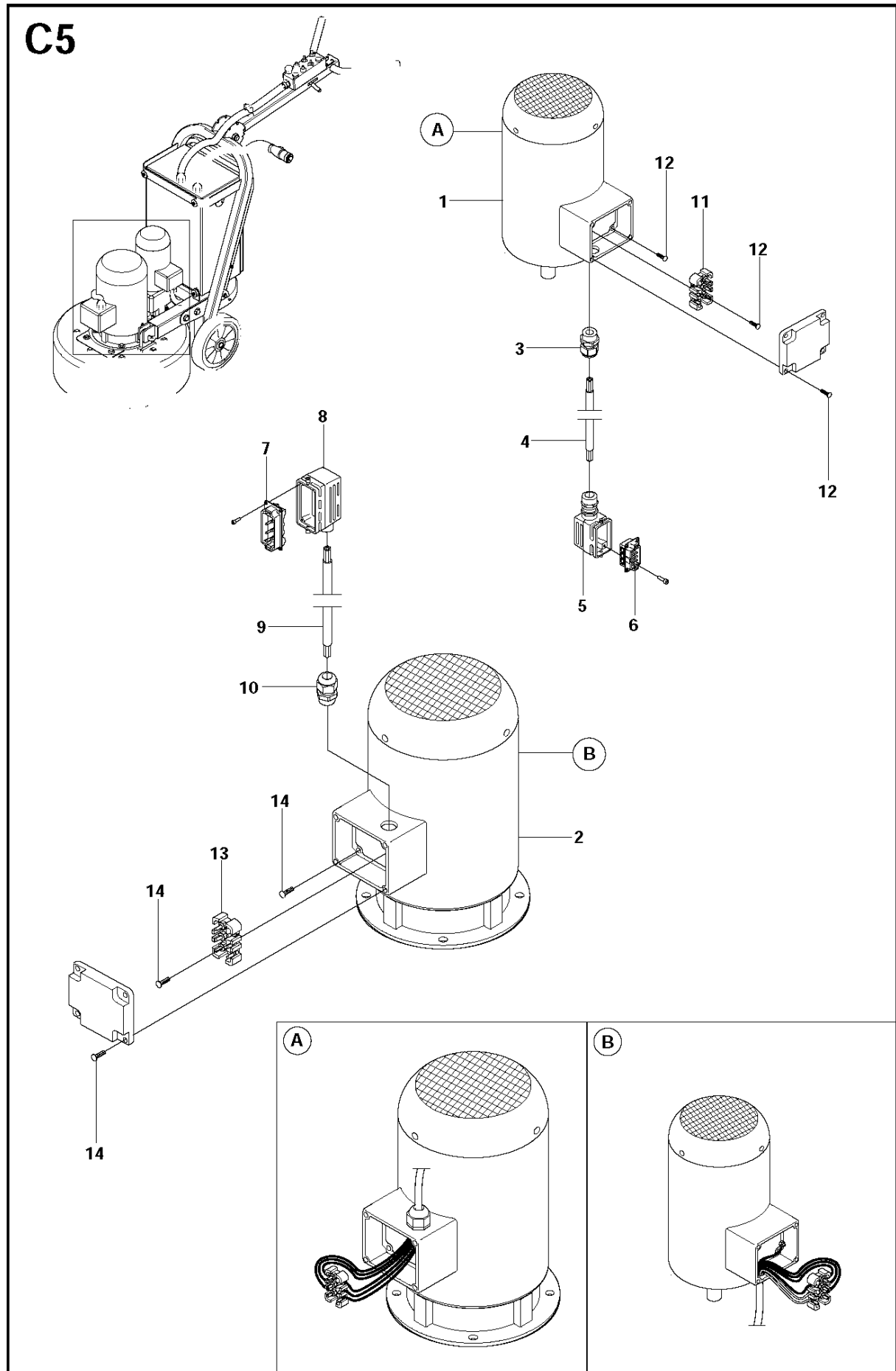
Ref	Part No	Description	Remark	QTY KIT
1	504 74 02-01	POWER CABLE		1
2	502 54 42-01	WIRING		1
3	504 71 72-01	FERRITE		3
4	516 05 77-01	CABLE		1
5	516 05 76-01	CABLE		1
6	516 05 75-01	CABLE		1



Ref	Part No	Description	Remark	QTY KIT
1	502 55 21-01	CHAIN RING		1
2	732 25 20-01	HEXAGON LOCKING NUT		12
3	504 75 02-01	SCREW IHANM		18
4	502 53 79-01	COVER PLATE		3
5	725 25 32-71	SCREW EHHM		3
6	504 72 95-01	WASHER		2
7	725 24 51-76	SCREW EHHM		19
8	725 24 53-76	SCREW EHHM		3
9	504 74 73-01	WASHER		2
10	725 24 89-71	SCREW EHHM		12
11	502 55 09-01	TOP PLATE		1
12	502 53 71-01	BEARING HOUSING		3
13	502 53 99-01	WAVE WASHER		3
14	504 72 99-01	STRUT		1
15	734 11 63-01	WASHER		3
16	732 25 18-01	HEXAGON LOCKING NUT		3
17	504 72 82-01	PLATE		1
18	502 53 72-01	BEARING HOUSING		1
19	502 53 89-01	BALL BEARING		2
20	504 72 88-01	SPACER		1
21	504 72 81-01	PLATE		1
22	502 55 18-01	RIM		1
23	502 54 88-01	SEAL RUBBER		1
24	502 53 90-01	CIRCLIP		1

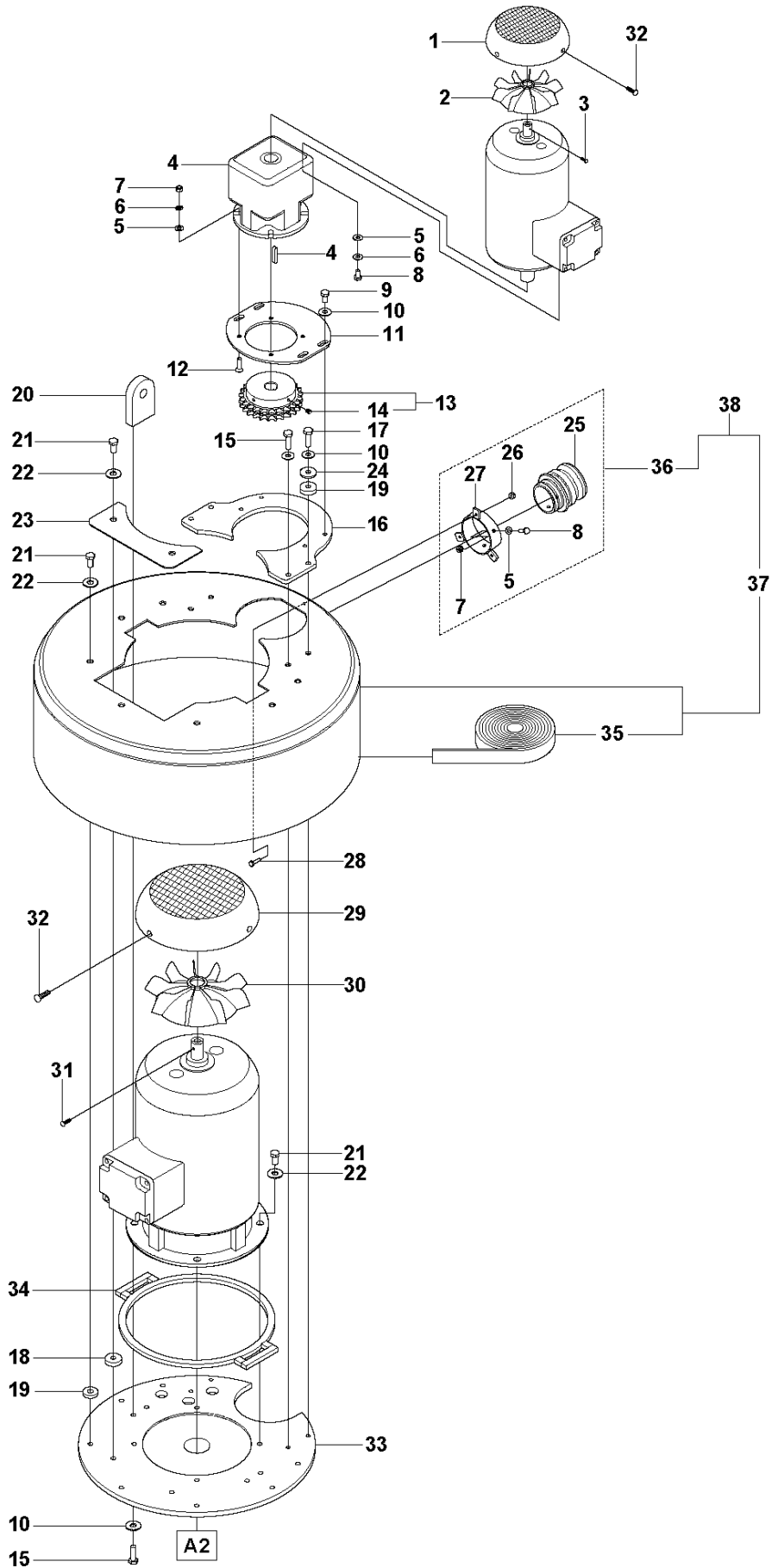


Ref	Part No	Description	Remark	QTY	KIT
1	502 53 92-01	CIRCLIP		8	
2	502 53 91-01	BALL BEARING		8	
3	502 53 68-01	PULLEY		4	
4	502 53 67-01	SHAFT		3	
5	502 53 94-01	CIRCLIP		9	
6	502 53 93-01	BALL BEARING		3	
7	502 54 98-01	PULLEY		3	
8	725 24 51-76	SCREW EHHM		19	
9	502 53 77-01	PLATE		3	
10	502 53 96-01	CIRCLIP		3	
11	502 53 95-01	BALL BEARING		3	
12	502 53 70-01	BEARING HOUSING		3	
13	502 53 97-01	RADIAL SEAL		3	
14	502 53 66-01	PULLEY SHAFT		3	
15	725 64 93-01	SCREW IHCSFM		2	
16	516 05 81-01	SHAFT		1	
17	502 53 82-01	FRAME		1	
18	516 05 82-01	ROD		1	
19	731 23 20-01	HEXAGON NUT		2	
20	734 11 72-01	WASHER		1	
21	502 53 69-01	SHAFT		1	
22	502 53 65-01	PULLEY		1	
23	502 53 87-01	BALL BEARING		1	
24	502 53 88-01	CIRCLIP		1	
25	504 72 63-03	WASHER		1	
26	504 74 88-01	SCREW IHSCM		1	
27	502 55 10-01	BOTTOM PLATE		1	
28	734 11 78-01	WASHER		12	
29	725 25 32-71	SCREW EHHM		15	
30	504 72 86-01	WASHER		1	
31	502 54 80-01	SPRING STEEL SYSTEM		3	
32	516 05 84-01	SEAL		1	
33	504 72 78-01	COVER PLATE		1	
34	725 24 49-76	SCREW EHHM		20	31
35	516 05 85-01	SEAL		1	
36	504 72 79-01	COVER PLATE		1	
37	725 23 66-71	SCREW EHHM		2	
38	502 53 73-01	BEARING HOUSING		1	
39	502 53 78-01	COVER PLATE		1	
40	725 24 60-51	SCREW EHHM		6	
41	504 72 95-01	WASHER		3	
42	504 72 80-01	COVER PLATE		3	
43	725 24 53-76	SCREW EHHM		18	
44	502 53 98-01	SEAL		3	
45	502 53 40-06	HUB		3	31
46	502 53 40-04	SPACER PLATE		3	31
47	502 53 40-05	RUBBER RING		3	31
48	725 24 93-76	SCREW EHHM		18	31
49	734 11 72-01	WASHER		18	31
51	502 54 82-01	SPRING PLATE		3	31
52	734 11 63-01	WASHER		18	31
53	502 53 40-14	SPACER		18	31
54	502 53 43-01	RING		3	31
55	725 53 70-51	SCREW IHSCM		9	31
56	522 44 80-01	PLATE		3	31
57	502 53 44-01	LOCK		9	31
58	504 74 84-01	SCREW IHSCM		9	31
59	504 74 96-03	LOCK WASHER		3	
60	504 74 89-01	SCREW EHHM		3	
50	502 55 35-01	DRIVE BELT		1	



Ref	Part No	Description	Remark	QTY KIT
1	502 53 57-01	ELECTRIC MOTOR		1
2	502 53 52-01	ELECTRIC MOTOR		1
3	516 06 12-01	GROMMET		1
4	504 74 03-01	POWER CABLE		1
5	516 06 13-01	HOOD		1
6	516 06 14-01	CONNECTOR		1
7	516 06 15-01	CONNECTOR		1
8	516 06 16-01	HOOD		1
9	516 06 17-01	CABLE		1
10	516 06 18-01	GROMMET		1
11	516 06 19-01	TERMINAL BLOCK		1
12	521 88 69-01	SCREW		9
13	516 06 20-01	TERMINAL BLOCK		1
14	521 88 70-01	SCREW		9

A1



Ref	Part No	Description	Remark	QTY	KIT
1	516 05 68-01	COVER		1	
2	516 05 70-01	FAN		1	
3	516 05 71-01	PIN		1	
4	502 53 56-01	GEARBOX		1	
5	734 11 63-01	WASHER		10	36
6	735 11 64-01	SPRING WASHER		8	
7	732 25 18-01	HEXAGON LOCKING NUT		10	36
8	725 24 53-76	SCREW EHHM		6	36
9	725 24 89-71	SCREW EHHM		4	
10	734 11 72-01	WASHER		12	
11	502 53 81-01	PLATE		1	
12	725 64 55-01	SCREW IHCSFM		4	
13	502 54 24-01	DRIVE SPROCKET ASSY		1	
14	728 54 51-05	SCREW IHSETM		2	13
15	725 24 97-71	SCREW EHHM		8	
16	502 55 15-01	BRACKET		1	
17	725 25 02-51	SCREW EHHM		2	
18	504 72 63-04	WASHER		19	
19	504 72 63-03	WASHER		5	
20	504 72 90-01	LIFTING LUG		2	
21	725 25 34-71	SCREW EHHM		13	
22	734 11 78-01	WASHER		13	
23	504 72 93-01	COVER PLATE		1	
24	504 72 95-01	WASHER		2	
25	504 72 98-02	COUPLING		1	36
26	732 25 16-01	HEXAGON LOCKING NUT		3	36
27	522 44 83-01	BRACKET		1	36
28	724 33 70-51	SCREW CRCSFM		3	
29	516 05 72-01	COVER		1	
30	516 05 73-01	FAN		1	
31	516 05 74-01	PIN		1	
32	521 88 71-01	SCREW		7	
33	502 55 11-01	PLATE		1	
34	516 05 78-01	SEAL		1	
35	502 55 20-01	VELCRO		1	38
36	522 44 82-01	PORT		1	38
37	502 55 19-01	COVER		1	37
38	522 44 81-01	COVER CMPL.		1	