

FS 6600 JD T3

Reservdelar

Spare parts

Ersatzteile

Pieces de rechange

Piezas de repuesto

Ricambi

Peças sobresselente

Reserveonderdelen

FS6600D T3A

PART NO.	POS.	DESCRIPTION	PART NO.	POS.	DESCRIPTION
020032	AB	U-Bolt, .25-20	139749	D	HHCS M10-1.50 x 25 DIN933
020049	G,K	Hose Clamp, SAE004	139751	X1,X4	HHCS M12-1.75 x 25 DIN933
020050	T1	Hose Clamp, SAE32	139759	X1,X4	HHCS M6-1.0 x 45
020051	T2	Hose Clamp, SAE	139761	X4	HHCS M6-1.0 x 20
020136	M	Nut, Hex .375-16	139764	X3	CB, M8-1.25 x 25 DIN 603 4.6
020180	N1,R1,R2	Nut, Hex Jam Thin 1"-14	15700506	E1	Hose Clamp, SAE104
020195	AB	Locknut, .25-20	15700537	T1	Hose Clamp, SAE285
020197	Z	Locknut, 5/16-18	15701380	W	Hose Clamp, SAE56
020199	J	Locknut, 3/8-16	160196	M	Pointer Rod - Front
020244	C	Locknut, Wing .25-20	160244	NS	HHCS, .3125-18 x .625
020296	Y	Pipe Fit., Close Nipple 3/4"NPT	160393	B,Q1,Q2,R1,R2	Washer, Flat .6875
020313	E3,Z	HHCS, 5/16-18 x 3/4	160704	P1	Petcock
020321	V1	Nut, Hex #10-24	160980	NS	Trim
020352	D,Q2	HHCS, .5-13 x 5	162004	Q2,U1	Lockwasher, Split M10
020366	NS	HHCS, .25-20 x .375	163172	R2,S	Flange, Blade w/Pin - 4.5" QDS
020377	M	HHCS, .375-16 x 1.5	163186	J	Bushing, Brass
020540	NS	SHSS, .25-20 x .25 HK	163214	P4	Knob, 1.5" Dia
020541	A	SHSS, 5/16-18 x .25	163245	G,H,L1,R2	Grommet, 5/8" I.D.
020551	O1	SHSS, .3125-18 x .25 Cup HK	163272	R1,R2,S	Outer Collar w/ 6"Pin
020587	E1	HWHSTS, 10-24 x .375 Type F, SL	163275	X2	Guard, Splash 3.5" x 12"
020587	F1,F2	HWHSTS, 10-24 x .375 Type F, SL	163389	X1	Guard, Splash - 2.75" x 12"
020616	N1	Pin, Cotter .125 x 1.5	163395	X4	Clamp, Water Tube
020739	A	Washer, Flat #10	163487	R1,R2,AB	HHCS, 5/8-11 x 3-1/2 Gr8 - RH
020742	E3	Washer, Flat 5/16"	163488	R1,R2	HHCS, 5/8-11 x 3-1/2 Gr8 - LH
020745	J	Washer, Flat 1/2"	163582	M	Wheel, 5"
020747	R1	Washer, Flat 5/8"	163656	P4	Hose, Water 60"
020762	C	Washer, Flat 1/4 SAE	163672	H,L1	Grommet, 3/4"
020763	P2	Washer, Flat 5/16 SAE	163688	H,J	HHCS M6-1.0 x 16 DIN 933
020764	V1	Washer, Flat 3/8 SAE	163689	H	Washer, Lock, M6
020766	M	Washer, Flat 1/2 SAE	163927	AA	Weight, Black
020767	C,D,Q1,R1,X4,AB	Washer, Flat 5/8 SAE	163986	X2,AB	Decal, Blade Direction
020777	B	Lockwasher, .3125 Hi-Collar	164243	S,AB	Fit., Grease Zerk
020785	P2	Lockwasher, Split .3125	164297	N1	Fit., Grease Zerk
020786	P1	Lockwasher, Split .375	164370	N2,Y	Tab, Insulated Push-On
020790	R1	Washer, Lock, 5/8	164632	R2	Key, Woodruff (ANSI #808)
020827	AB	Pipe Fit., 90 Elbow, 1/2"	164954	Q2,U1	SHCS M10-1.5 x 25 Lo Hd Gr8
020853	AB	Pipe Fit., SH Plug, 3/8 NPT	166038	Z	Knob, 1.25 x 3/8-16
020864	X4	Pipe Fit., SH Plug, 1/8 NPT Br	166256	U1	Locknut, Fiber .3125-24
020890	M	Cord, Sash, 1/4 Dia #85 (Per Foot)	166286	AB	Flange, Outer, 5" QDS B/O
030822	D,I	Wheel, Cart	166307	R1,R2,S	Flange, Blade w/Pin - 5" QDS
032366	D,I	Nut, KEPS 5/16"-18	166351	P1,P2	Bearing, Pilot
040261	L2	Valve, Ball 1/2"FPT	166352	Q1	Isolator, Engine
040275	X1,X2	Hyd Fit., .375"MPT x .75MGH	166356	Q1	HHCS M16-2.0 x 100 DIN931
040330	E3	Spring, .054 x .375OD x 3.5	166362	R1	V-Belt: 3VX450 - 4-Band
041175	O1	Fit., Grease Zerk	166365	R1,R2	Pulley, 8G3V4.75" - Gearbox
043203	M	Clamp, Cord 1/2"	166366	R1	Pulley, 8G3V3.65" - Gearbox,
045640	L2	Filter-Washer	166368	Q1	HHCS M16-2.0 x 90 DIN933
045642	L2	Washer, Swivel & Filter 1/2"NPT x GH	166393	T2	Cap, Radiator, 10 psi
046101	X1,X4	Washer, Fiber 1"OD x 13/32"ID x 3/32"	166413	G	Tank, Coolant Recovery, 1.5 Qt
046128	X1,X2,X4,AB	Decal, Warning (Blade Guard Size)	166442	Q1	Support, Engine, Rear
046402	O1	Washer, Flat 1.03125	166448	Q2,V1	Head, Filter
046425	M	Washer, Spring	166449	Q2,V1	Element, Filter, Spin-On
048078	O1	Collar, Set 1" ID w/SS	166466	J,U1	Rod End, #10-32UNF
048740	NS	HHCS, .375-16 x 1.25	166480	R1,R2	Washer, Flat 1.030 x 2.25
048878	AB	Manifold, Water	166491	G	Collar, Set, 1.25" I.D. - Mod
048880	AB	Support, Manifold	166491	H	Collar, Set, 1.25" I.D. - Mod
048894	AB	Key, Round End .375 Sq x 1	166622	F1,F2	Block, Fuse
048895	AB	Pin, Drive .375 x 7.125 B/O	166624	E1	Fastener, Tuflok
048901	AB	Nozzle, Vee, 1/4"	166629	R1	V-Belt: 3VX465 4-Band
048905	AB	Flap, Rubber, Side Plunge	166630	T1	Hose Clamp, Worm Drive SAE24
049154	X2	Hinge, 4"	166632	R1	Pin, Hyd Cyl - Front
049264	AB	Nut, Hex, 1.75-12 B/O - LH	166674	P2	Clamp,Vinyl Coated 3/8 x 3/8
049871	AB	Flange, Outer, 8" B/O	166685	P2	Rotor, Electric Clutch
049925	AB	Wrench, 2-1/2" Blade Shaft	166708	F1,F2	Relay, NO/NC
052120	Z	Switch, Toggle	166750	X4	Manifold, Water
072086	X3	Nut, Wing 8mm	166816	X1,X4	Latch, B/G Slip-On
090552	Y,Z	Plate, Switch	166853	B	Decal, RADIATOR FILTER
091129	AB	Pipe Adpt.1/4" NPT	166855	Y,Z	Fuse, 10A Push In
091136	AB	Nozzle, Flat Jet, 1/4"	166857	F1,F2	Fuse, 5 Amp
0A7717	Z	Inst Sheet: Dual Light Kit	166878	F1,F2	PHSTS, #10-24 x 1" Type F
136476	W	Hose Clamp, Worm Drive SAE 64	166880	W	Adaptor, Restriction Indicator
136608	T1	Clamp, Exhaust	166891	J	Locknut, Fiber, #10-32
136685	J	Nut, Hex Jam #10-32	166891	U1	Locknut, Fiber, #10-32
138059	AA	Bracket, Weight - Black	166907	P1	Valve, Oil Drain
139649	P1	Bushing, Brass 1/2NPT x 1/4NPT	166957	X4	HHCS M16-2.0 x 110
139742	J,X1,X4	Locknut, Fiber M12 DIN985	166983	P1	Fan, Radiator 17" Dia
139745	X1,X4	Locknut, Fiber M6 DIN985	166986	X4	Tube, Water, 18" Blade Guard

FS6600D T3A

PART NO.	POS.	DESCRIPTION	PART NO.	POS.	DESCRIPTION
167035	N2,O2	Pin, Cotter Hair Spring 1/2-5/8	191284	S,AB	Pipe Fit., 1/8 NPTF Extension
167289	X1,X4	Decal: Blade Direction - Small	191316	P1	Hose, Oil Drain x 20"
167444	AA	HHCS M12-1.75 x 75	191429	S	Bearing 209PP
167447	Q1,Q2	HHCS M16-2.0 x 45 DIN931	191714	O1	Bearing, Ball
167448	Q1,X3,X4	Locknut, Fiber M16 -2.0	191770	O1	Wheel, 8"Dia x 3" w/ Ball Brg - Compl
167449	C	Eyebolt, M6-1.0 x 50	191894	I	Cable, Depth Indicator
167491	C,X3	SHCS, CSK M10-1.5 x 25	191895	R1,R2	Pulley, 8G3V4.12, Taper Bore
167503	X1,X4	Bolt, Latch Pivot M8-1.25	191962	AB	Lockwasher, Split, M16
167555	C,G,H,L1,L2,P3,Q1	U-Nut, M8-1.25	191962	C,D,Q1,Q2,X3,X4	Lockwasher, Split, M16
167555	D,P4	U-Nut, M8-1.25	191963	S,AB	Vent Plug 1/8 NPT
167761	X4	HHCS M5-0.8 x 20 DIN933	191996	P2	HHCS M8-1.25 x 20, DIN933-10
167818	X4	FLHMS, M6 x 1.0 x 16mm SLOT	196029	X1,X2,X4	Decal, LwA 119dB
167925	D	FHCS, M8-1.25 x 30 F.T.	197101	Z	Cable Tie, Plastic 8 In X .094
169157	X1,X2	O-ring, -110	197170	X1,X2,X4+E142	Wing Bolt, M6 -1.0 x 16
169430	A	Rivet, Pop 3.2 Dia x 10	197227	X4	HHCS M8-1.25 x 20 DIN933
171891	X4	Rivet, Blind 3/16 Dia	198043	P1	Hose, 1/2" Water, 3/4"FGH x 36"
172011	X4	Nut, Hex M5-.80 DIN934	198077	C	Battery, Group 48
172017	C,X4	Nut, Hex M6-1.0	198078	C	Bar, Battery Hold-Down
172306	NS	HHCS M12-1.75 x 40 DIN931ZP	501046802	X1	Tube, Water - 26" B;d Grd
172495	AA	Washer, Lock M12	501047002	X1	Tube, Water - 30" Bld Grd
173009	O1	Nut, Hex M12-1.75 DIN934	501047102	X1	Tube, Water - 36" Bld Grd
173010	D	Nut, Hex Low, M12-1.75	501047301	X1	Manifold, Water
173014	Q2,U1	Washer, Flat M10	501356101	A	Tube, Hood - RH
173019	X4	Lockwasher, Star Ext M8	501368801	A	Tube, Hood - LH
173047	Y	Washer, Flat M5	501388303	Q1	Muffler T3 - Black
173059	L1,X4	Washer, Flat M8	501970903	A	Hood, Front
174446	A	SHCS M8-1.25 x 25 DIN912	501971204	A	Hood, Crown Piece
174679	G,H	Lever, Adjustable	501976903	A	Bracket, Cross
174986	Y	Clamp, Hose SAE12	502287501	M	Bracket, Pointer
176223	B,P3,P4	Decal, CAUTION (SHIELDS)	502290205	A	Latch, Spring Tube, Tall
176383	F1,F2	Switch, Emergency Stop	502290403	Q1	Muffler Support - T3
176398	J	Switch, Neutral Safety Start	502298101	P4	Arm, Shift Connector
176811	A	Pin, Clevis 3/8 Dia x 1.38	502298201	P3	Guard, Belt FS6600
176994	J	Speed Control/Shift Frame	502463902	A	Tape, 2-Sided Adhesive - Roll
176996	J	Arm, Shifter Pivot	504002101	X2	Manifold, Water
176998	J	Pivot Pont, Shift	504016202	Q1	Bracket, Engine Front - RH
177056	Y,Z	Terminal, Wire 1/4"	504016206	Q1	Bracket, Engine Front - T3 LH
177066	C	Rubber Boot, Batt. Term., Black	504018202	X2	Blade Guard, Rear, 42" H. Grey
177239	N2	Pin, Rue Ring 1/2" Dia	504019002	X2	Tube, Water - 42" Bld Grd
178658	AB	Spring, Blade Guard	504019102	X2	Blade Guard, Front, 42" H. Grey
178687	Y	Fitting, 3/4"MGH x 3/4"MPT	504019401	X2,X3	Blade Guard, Slip-On, 42" - Compl
178724	L2	Switch, Pressure, N.O.	504061201	D	Pointer, Rear
181026	B	Decal, RADIATOR FILTER CE	504119704	R2	V-Belt, 3VX545 4-Band
181039	J	Washer, Friction, 2"	504119706	R2	V-Belt, 3VX570 4-Band
181059	B	Decal, DIESEL	504209101	B	Support, Hood - H-GREY
181109	M	Nut, Hex Jam, M16 x 2.0	504537501	P4	Fit. Pipe, Expander/Extender
181109	X3	Nut, Hex Jam, M16 x 2.0	504539601	P4	Fiting, Breather
181117	Z	Kit, Dual Light 12VDC	504542901	X3	Bracket, Blade Guard, 42"
181118	Z	Tube, Support	504543901	X3	Bracket, Brace, 42"
181120	Z	Bar, Support	504544301	X3	Rod, Custom Threaded
181126	Z	Wire Assy, 36" Black	504545501	P4	Handle, 3-Spd Shifter
181127	Z	Wire Assy, 16" Black	504548501	P4	Fitting, Hose Barb
181206	O2	Orifice, Disc .031"	504548601	P4	Fitting, Street Tee
181361	G	Grommet	504548701	P4	Fitting, Pipe Swivel-Union
182099	J	Lug, Solder Terminal	504548801	P4	Valve, Drain
182146	J	Boot, Half - Toggle Switch	504558301	X3	Kit, Blade Guard - 42"
182184	C	Cable, Batt. 4Ga x 44" - Red	504558401	X3	Kit, Blade Guard Attach - 42"
183001	J	Bushing, Glide	504559701	A	Decal, Gearbox Operation
183044	AB	HHCS, .5-13 x 11.5	504571601	I	Pointer, Depth Indicator
183124	B,D,J	Washer, Belleville .5"	504580302	A,C	Loop, Chain Tiedown
183137	J	Bracket, Neutral Safety Switch	504587901	P4	Rod, Shifter Lockout
183154	J	HHCS, .375-16 Special	504592206	P4	Arm, Lockout - FS6600
183163	AA	HHCS M12-1.75 x 35 DIN931	504592207	P4	Arm, Lockout, Link - FS6600
183375	P1,P4	Hole, Plug 3/4"	504599201	P4	Lock, Padlock
183375	P1,P4	Hole, Plug 3/4"	504599301	A	Primer, Adhesive - 3M
183396	M	Front Pointer - Compl	504611001	P4	Instruction, Kit 3-Speed Lockout
183530	P1	Hyd. Fit., Elbow M22-8JIC	504613502	A	Lock, Hood Plate
183998	X1,X4	Lanyard, Nylon Coated SS	504613505	A	Lock, Hood Hook
183999	X1,X4	Drive Screw #10 X .25 Lg	504628401	B	Decal, Depth Indicator, CE
188324	B	HHCS M16-2.0 x 45 10.9	504630101	B	Decal, Depth Ind Op, CE
188348	NS	SHCS M10x1.50x25mm LG	504793101	P1	Engine, JD, 4024HF295 T3 66HP
191082	W	Air Cleaner 8" - Compl	504827001	S	Bladeshaft, 3-Spd, 5" Flange - Compl
191114	W	Housing, Air Cleaner	504827002	S	Bladeshaft, 3-Spd, 4.5" Flange - Compl
191115	W	Element, Primary	504827003	S	Bladeshaft, 3-Spd, 6" Flange - Compl
191116	W	Element, Safety	504827004	S	Bladeshaft, 3-Spd, 7" Flange - Compl
191118	W	Valve, Air Cleaner	504836801	R1,R2	Seal, Shaft - Input
191142	X1,X4	Kit, Blade Guard Latch	504836802	R1,R2	Seal, Shaft - Output

FS6600D T3A

PART NO.	POS.	DESCRIPTION	PART NO.	POS.	DESCRIPTION
504836901	NS-Q1	Shield, Fan Top - RH	510283601	Q1	Guard, Belt JD - Blk
504837001	Q1	Shield, Fan, Black - RH	510406201	E1	Cover, CAC H-Org
504837101	T2	Cradle, Air Cleaner	510414601	Q1	Shield, Alternator JD - Blk
504839401	C,X3	Spade, Narrow Blade Guard	510414701	T1	Mount, Fuel Filter
504843303	E2	Radiator, 66-80HP	516037601	K	Probe, Fuel Level Sensor
504855601	Z	Lamp, 12V	516055501	K	Tank, Fuel T3
504857701	X1	Blade Guard, 20" - Compl	520281701	N1	Shaft, Vert., Rear Axle 1.25
504858101	X1	Tube, Water, 20"	520281801	N1	Bearing, Plain 1.25 ID
504858901	T1	Hose, Turbo-CAC	521885301	NS	Decal, Oil Fill - Round
504858902	T1	Hose, CAC FS6600	521885302	NS	Decal, Oil, Overfill
504859101	T1	Hose, Engine - CAC	521921501	F1,F2	Decal, Control Panel JD T3
504859201	T1	Hose, Coolant, Radiator Inlet	521933501	T1	Clamp, T-Bolt Spring-Loaded
504859202	T1	Hose, Coolant - Engine In	521937801	G	Cap, Radiator 15 PSI
504859203	T1	Hose, Coolant - Engine Out	521938201	L1	Control, Electronic JD 66HP (ECU)
504861701	G,H	Lever, Adjustable Clamping	521944401	L1	Stud, M8 x 1.25 x 80
504871601	X1	Blade Guard, Front - 20"	521970301	E1	Decal, FS6600 T3 Oper Inst
504871701	X1	Blade Guard, Rear - 20"	521970302	E1	Decal, FS6600 T3 Oper Inst - CE
505063811	B	Frame, Lift Bail - FS6600	522535401	NS	Wire Assy, T3 Charge
505103701	P4	Bracket, Z-Pattern 3-Speed	522535402	NS	Wire Assy, T3 Glow Plug
505117801	A	Panel, Side - LH	522591101	E2	Cooler, Fuel, 4-Pass
505117802	A	Panel, Side - RH	522604501	E2	Clip, Gator - Fuel Cooler
505129901	L1	Cowl, Front	522607902	E2	Filter, Fuel Cooler
505129903	L1	Cowl Radiator Bracket	522608001	E2	Mount, Fuel Filter
505129906	E3	Bracket, Radiator - FS6600	522612901	U1	Arm, Speed Control
505129908	E3	Filter, Radiator - FS6600 T3	522613501	V1	Hose, Suction x 12.75"
505129909	E3	Filter, FS6600 CAC	522627701	F1	Decal, Blade Spd 1-Spd FS66JD
505186001	B	Brace, Lift Bale - FS6600	522627702	F2	Decal, Blade Spd 3-Spd FS66JD 14-26
505189101	M	Bracket, Rope	522627703	F2	Decal, Blade Spd 3-Spd FS66JD 18-30
505215201	O1	Axle, Front - FS6600	522627704	F2	Decal, Blade Spd 3-Spd FS66JD 20-36
505283001	AB	Flange, Inner, 8" B/O	522627705	F2	Decal, Blade Spd 3-Spd FS66JD 26-42
505283101	AB	Bladeshft, Side Plunge	522636501	T1	Bracket, CAC Hose Support
505283102	AB	Bld Sft, Side Plunge, w/Flg & Ply	522676501	Q1	Spacer, Engine Foot
505283201	R1,AB	V-Belt, 3VX475 4-Band	522746001	V1,V2	Pump, Lift 12 VDC
505289503	U1	Pump, Hydro	522812301	NS	Bracket, Radiator T3 - Blk
505416801	O2	Cylinder, Lift - FS6600	522842401	V1	Cable, PUMP GROUND
505416901	AB	Bearing, Ball 55 mm	522849106	V2	Strainer, Pump - Lift Pump
505417201	AB	Tube, Bladeshft, 55mm	522849110	V2	Coil, 12 VDC Repl+D661
505417301	AB	Flange, End Cover, 90 mm	522849111	V2	Reservoir, Oil - Lift Pump
505417401	AB	Pulley, 3VX 4.75 x 8 Gr	522849115	V2	Switch, Starter - Lift Pump
505422401	AB	Flange, Inner, 5" B/O	522849119	V2	Cap, Filler-Breather - Lift Pump
505439201	N1	Axle, Rear	522849121	V2	Valve, Check - Lift Pump
505445101	O2	Block, Cylinder Monut	522849122	V2	Brushes, Motor - Lift Pump
505455801	Q1	Relay, JD	523119501	F1,F2	Kit, Throttle Control Rocker Switch
505455901	Q1	Bracket, Relay Starter	525289901	T2	Tank, Surge
505455903	Q1	Bracket, Relay Mount	525305701	F1,F2	Stud, PEM 10-32
505482001	N1	Block, Axle Pivot	525305702	F1,F2	Stud, PEM 8-32
505497014	AB	Bladeshft, Side Plunge - Compl	525310501	F1,F2	Harness, Wiring - Control Box T3
505523301	A,B	Frame - FS6600 T3	525416401	T1	Tube, Radiator Vent - Blk
505531901	R1,AB	Pin, Dowel .375 x 1.5	525434702	T2	HOSE 3/4 HEATER ENG-SURGE TANK
505531901	R1,R2	Pin, Dowel .375 X 1.5	525448601	T1	Hyd. Fit., 3400-4
505551101	C	J-Bolt, .25-20 x 7.25"	525550401	E2	Hyd. Fit., 3350-4-4
505566602	A,G	Side Panel, H Org - LH	525550401	T2	Hyd. Fit., 3350-4-4
505566606	A,H	Side Panel, H Org - RH	525550701	E2,T1,T2	Hyd. Fit., 4244-2-4
506002701	N2	Actuator, Linear - 40mm	525567201	T2	Hose, 1/8" ID Bulk (20")
506126202	F1,F2	Control Box	525579501	U1	Hose 2250PSI x 15.5"
506126204	F1,F2	Panel, Control Box	525606001	E1	Decal, DIESEL / Low Sulfur
506492901	O1	Bearing, 1.25" Tapped Base	525750001	NS	HHCS M12-1.75 x 140 DIN933 10.9
506497601	C	Battery Box - FS6600	539101331	G,H	Locknut, Fiber 1/2-13
506497801	A	Pin, Side Panel - Black	539102535	N1	Dust Cover, Hub
506747401	NS	Nut, Coupling, M8 x 38mm	539102653	R2	Washer, Flat 5/8"
506748001	L1	Cover, ECU - Front	539300010	R2	Pin, Dowel 3/8 x 1.75
506748003	L1	Cover, ECU - Back	539300011	L2,Y	Hose Clamp, Worm Drive SAE006
506899903	Q1,V1	Bracket, Speed Control JD	539300069	K	Filter, Fuel, Inline 5/16"
510013501	N1	Hub, Dust Cover 2.448 OD	539300111	F1,F2	Plug, Hole, 1/2"
510014101	F1,F2	Bracket, Display Mount	539300113	Y	Boot, Switch, Grey
510014401	N1	Seal, Radial Shaft 1.50 ID	539300123	O1	Set Collar, 1" ID
510016602	F1,F2	Display, Canpluss 600 JD T3	539300133	R1,R2	Wrench, 15/16" Open End
510016701	F1,F2	Keyswitch & Key	539300243	L2	Pipe Fit., Close Nipple, 1/2"
510016705	F1,F2	Key, Switch	539300268	I	Pin, Cotter, 3/16 x 1"
510126601	V1	Mount, Lift Pump	539300310	U1	Hyd. Fit., Elbow 6MJIC x 6SAE
510170101	F1,F2	Harness, Engine JD T3	539300340	G,H	Bar, Handle
510170102	F1,F2	Harness, Cowl JD T3	539300440	Q1	Cap, Bolt, 5/8 UHMW
510182601	F1,F2	Control Box, JD T3 - Compl	539301153	I	Switch, Depth Stop
510264401	W	Hose, Air Intake JD - FS6600	539301366	I	Locknut, Fiber #6-32
510271101	T1	Tube, Elbow - CAC	539301367	I	RHMS, #6-32 x 1, Slotted
510271201	Q1	Shield, Fan - LH	539976941	NS	HHCS, 3/8-16 x 1-1/4
510271203	NS	Shield, Harness - Blk	539976979	I	Locknut, Fiber, 3/8-16

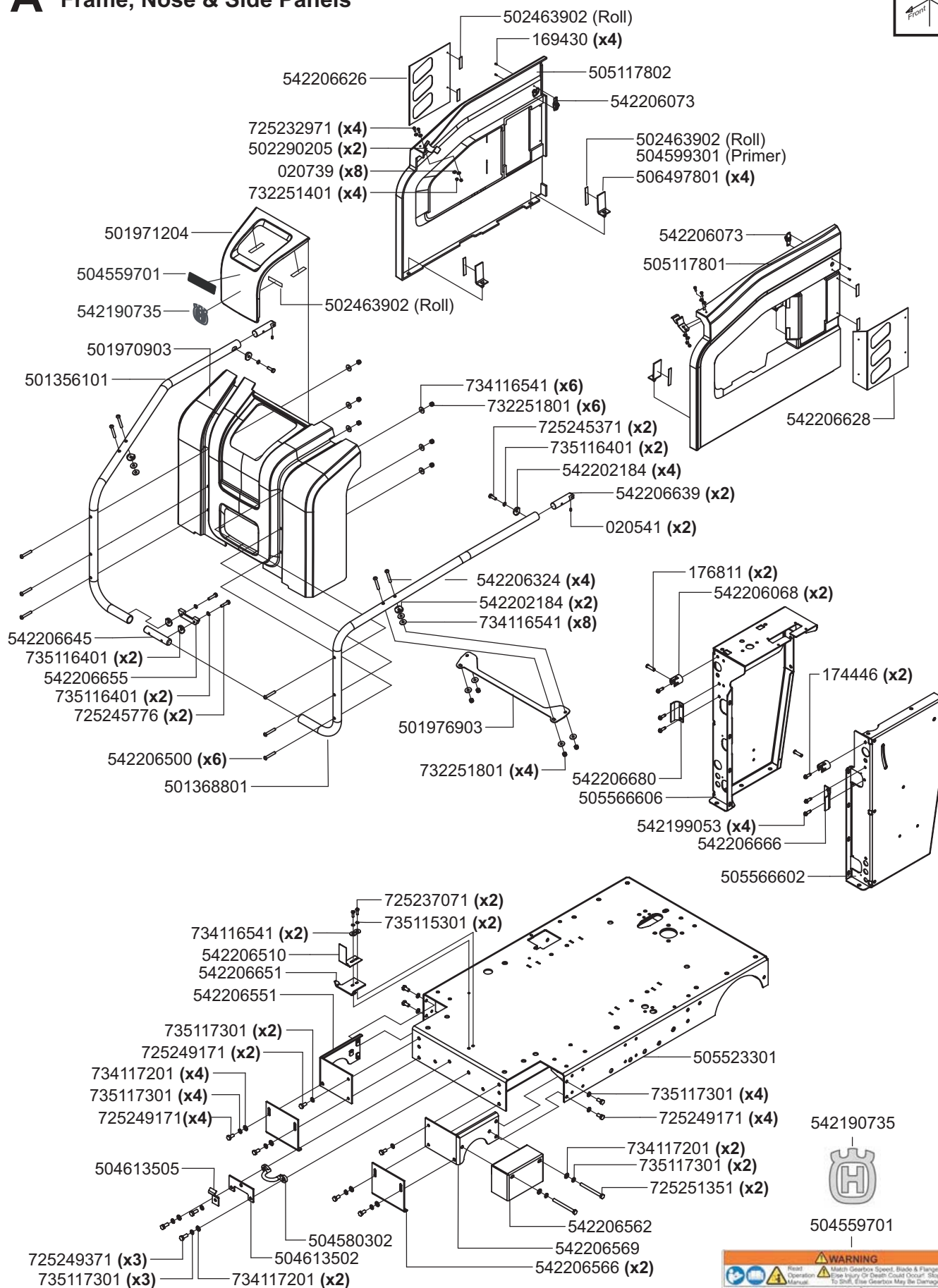
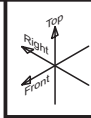
FS6600D T3A

PART NO.	POS.	DESCRIPTION	PART NO.	POS.	DESCRIPTION
539976982	R2,X3	Washer, Flat, 5/8 SAE	542198812	P1	Spacer, Fan JD 4-Cyl
539990052	Q2,V1	Washer, Lock, 1/4	542198842	N1	Wheel, Rear 10"Dia x 3"
539990071	Q2,V1	HHCS, 1/4-20 x 1/2	542198843	N1	Wheel Hub
539990118	V1	Washer, Lock, 3/8	542198858	R1,R2,S	Pulley, 4.75" Taprd Bldshaft, 26"-30"
539990122	I	Washer, Flat 3/8 SAE	542198864	R1,R2,S	Flange, Inner 6" Dia, 36"
539990134	P1	HHCS, .375-16 x .75	542198865	R1,R2,S	Pulley, 5.6" Tapered Bladeshaft, 36"
539990187	P4	Washer, Lock 5/16	542198866	R1,R2,S	Pulley, 4.12" Tapered Bladeshaft, 18"
539990209	P4	HHCS, 5/16-18 x 1"	542198878	N1	Motor, Hyd Wheel
539990254	D,Q2	Lockwasher, Split 1/2"	542198915	B,U2	Bypass/Counterbalance Valve
539990258	P4	Nut, Hex, 1/2-13	542198916	O2	Valve, Needle - Lift Cyl
539990333	B,Q1,R2,AB	Washer, Lock 5/8	542198917	U2	Valve, Needle - Bypass
539990637	I	HHCS, 3/8-16 x 2-1/2	542198927	L1	Grommet, 1/2 x 1.25 OD
541200523	Z	Grommet, Frame	542198932	O2	Pin, Cylinder - Rear .75 Dia x 2.25
541200533	I	Bearing, Flange	542198936	O1	Pin, Cylinder - Front
541200642	W	Clamp, Hose, SAE44	542198949	U1	O-Ring, -042
541200847	R2	V-Belt, 3VX560 4-Band	542198953	P2	Snap Ring, 1.375 Shaft
541200989	W	Gauge, Air Flow Restriction	542198965	N1	Pivot Swivel, M12
541202061	I	Pulley, Depth Indicator	542198975	P2	Armature, Mod.
541204591	Y	Pipe Fit., St. Elbow 3/4"	542198996	C	Shield, Actuator - Black
541204661	Y	Pipe Fit., 3/4"MGH x 3/4"FPT	542199017	H	Mounting, Handlebar - RH
541204755	V1	Hyd. Fit., Str 4JICx6SAE	542199018	G	Mounting, Handlebar - LH
541204756	U2,V1	Hyd. Fit., Str 6JICx6SAE	542199021	NS	Rubber Insulator
541204768	U1,V1	Hyd. Fit., 90° Elbow 4JIC x 6SAE	542199029	B,L1	Insulator, Neoprene w/ Holes
541204780	U1	Washer, Flat 5/16	542199039	L2	Insulator, Rubber
541204806	U1	Hyd. Fit., 90° Elbow 8SAEx6JIC	542199044	S,AB	HHCS M8-1.25 x 75
541204855	L2,P1,AB	Hyd.Fit., 3/4"MGH x 1/2"MPT	542199045	R1,R2,AB	Key, 1/4" Sq x 2.5 Round BE
541204870	P1	Hyd. Fit., Hose Barb 1/2"H x 1/2"MPT	542199053	A,C,E1,G,H,L1,L2,	HWH Bolt w/ Dog Pt, M8-1.25
541204911	V1	Hyd. Fit., 6JIC Cap	542199053	N1,O1,P2,P3,P4,Q1,	HWH Bolt w/ Dog Pt, M8-1.25
541204971	F1,F2	Locknut, Fiber 8-32	542199124	L2	Pipe Fit., St. Elbow, 1/2"NPT
541204977	U1	Hyd. Fit., Str. Conn 6MJIC x 8SAE	542199125	L2	Pipe Fit., Male Elbow, 1/2"NPT
541204983	V1	Hyd. Fit., Run Tee - 6JIC	542199126	L2	Pipe Fit., Female Tee, 1/2"NPT
541204991	N1	Hyd. Fit., Str. Conn 6MJIC x 10SAE	542199127	L2	Pipe Fit., 45 Deg St. Elbow, 1/2"NPT
541205011	O2	Hyd. Fit., Str. Conn 4MJIC x 4SAE	542199128	X1,X2	Spring, Blade Guard
541205253	F1,F2	Locknut, Fiber #10-32	542199160	R1,S	Pulley, 6.4" Tapered Bladeshaft, 42"
541205301	M	HHCS M16 x 2.0 x 80	542199183	J	Cable, Push-Pull
541206691	Q1	Clamp, Exhaust 3.3 Turbo	542199202	I	Bracket, Depth Indicator, Black
541206888	R1,R2,S	Flange, Inner 5" Dia, 18"-26"-30"	542199210	K	Draw Tube, Fuel Line - Compl
541206943	P1	Coupling, Flywheel	542199217	E1	Shroud, Radiator Half
541207100	R1,R2	Kit, Sleeve Puller - Compl	542199222	J	Handle & Switch - Compl
541208006	S	End Cover, Flange	542199235	K	Hyd Fit., 45° Elbow, 5MJIC x 6SAE
541208022	S,AB	O-Ring -044	542199236	K	Hyd Fit., -5 FJIC x 5/16 Hose Barb
541208345	X1,X4	Spring w/ 90 Hook	542199239	N2	Pivot Pin, Actuator 12mm
541208357	X1	Latch, Blade Guard - 20"	542199241	N2	Pivot Pin, Actuator 10mm
541208416	E1	Cover, Control Panel Top	542199247	L2	Bracket, Water System
541208421	L2	Cowling, Rear	542199298	X1	Guard, Splash - 12"
541208425	Q1	Mount, Engine - RH	542199308	D	Bracket, Depth Indicator Wheel - Black
541208427	L2	Hanger, Hose	542199317	R1,S	Flange, Inner 7" Dia, 42"
541208431	C,X3	Spacer, 4-Bolt Spade	542199317	R2	Flange, Inner - 7"
541208440	X1,X4	Cover, Bladeshaft (CE)	542199351	NS	SHCS M12 x 1.75 x 30mm
541208447	X4	Blade Guard, Rear -18" (3")	542199353	N1	Hose, 6FJ90 x 6FJ90 x 21"
541208448	X4	Blade Guard, Front -18" (3")	542199354	N1	Hose, 6FJ90 x 6FJ90 x 31"
541208461	X2	Cover, Bladeshaft - 42" CE	542199355	N1	Hose, 6FJ x 6FJ90 x 15"
541208463	C,X3	Spade, Slip-On, Low Grd - LH	542199358	V1	Hose, 4FJ90 x 22.5"
541208464	C,X3	Spade, Slip-On, Low Grd - RH	542199359	V1	Hose, 4FJ x 4FJ90 x 54"
542139568	G,H	Grip, Handle	542199360	NS	Hose, 4311-6,4311-6 x 14"
542167298	X1,X2	Decal: Blade Guard Caution	542199372	D	HHCS M12-1.75 x 140, 8.8 DIN 933
542169065	B	Decal: Warning/Muffler	542199378	R1,R2,S	Flange, Outer w/Pin - 7" QDS, 42"
542180020	V2	Valve, Cartridge - Lift Pump	542199387	P2	Hub, Clutch Drive w/ Fasteners
542180427	F1,F2	Decal, PATENTS	542199396	P2	Coil, Field w/ Leads
542182102	J	Switch, Toggle - Raise / Lower	542199397	C	Cable, Batt. Pos. 0Ga x 18" - Red
542182219	F1,F2	Switch, Rocker	542199398	C	Cable, Batt. Neg. 0Ga x 28" - Black
542182228	I	Harness, Depth Stop	542199414	U2	Valve, C-Balance
542182233	P2	Harness, Cowl	542199426	N1	Nut, Castle, 1"-14 UNF
542182262	F1,F2	Switch, DPDT, 3 Pos. E-Trac	542199427	N1	Spacer-Washer, 1" Bearing
542182281	J	Wire Harness, J-D Cowl - FS6600D	542199432	F1	Decal, Blade Speed / Size - CE
542182303	M	Pointer, Front	542199433	F1,F2	Decal: E-Track Control
542182305	C	Bracket, Support, Rear	542199435	D	Decal, Axle Adjustment, Manual
542183106	K	Cap, Gas w/o Gauge	542199451	J	Speed Control - Compl
542190595	P4	Decal, Gearbox Range	542199452	K	Hose, Fuel Line, 5/16" ID x 88"
542190628	B,F1,F2	Decal, TRANS. BYPASS VALVE	542199466	S	Bladeshaft Assy - compl 18"
542190702	G,H	Decal, HUSQVARNA / FS6600D	542199467	S	Bladeshaft Assy - compl 26/30"
542190733	L2	Decal, HUSQVARNA	542199469	S	Bladeshaft Assy - compl 36"
542190735	A	Decal, 3" Husqvarna Crown	542199470	S	Bladeshaft Assy - compl 42"
542195127	X1,X4	Hinge, 3"	542199475	N2	Bracket, Actuator Pivot, Lg, Black
542196172	AA	Kit, Weight 2 Bar 70 Lbs	542199478	G,T2	Hose, Radiator Overflow 5/6"ID x 54"
542196173	L2	Hose, Water, 3/4"FGH x 66"	542199479	Q1	HHCS M16-2.0 x 35, DIN 931
542198778	X1	Blade Guard, 18" H Grey w/Decals CE	542199480	P2	Bushing, Rubber, 1/2"ID x 3/4"OD x 3/4"

FS6600D T3A

PART NO.	POS.	DESCRIPTION	PART NO.	POS.	DESCRIPTION
542199481	R1	Gearbox Model, Superior 1-Speed	542206680	A,E1	Latch, Side Shield - RH
542199512	N2	Bracket, Actuator Connector, Black	574472401	F1,F2	Wiring Harness, Engine-T3A
542199566	W	Hood, Air Inlet	574742402	F1,F2	Harness, Control Box-T3A
542199633	N1,N2	Disc, Slider - 2.75" Dia	574744101	F1,F2	Control Box-T3A - Compl
542199639	Y	Port, Water Pump, 1/2 x 90 Deg	574744201	R2	Kit, Prox Switch, T3A
542199640	Y	Grommet, Set	725232971	A	HHCS M5-0.8 x 16
542199641	Y	Filter, Inlet	725233371	Y	HHCS M5-0.8 x 25
542199643	Y	Screen, Inlet Filter Strainer	725236671	R2,S,X2	HHCS M6-1.0 x 12
542199646	Y	Plate, Water Pump Mount	725236871	X1	HHCS M6-1.0 x 16
542199648	Y	Switch, Toggle Single Pole	725237071	A,Q1,X1,X2,X3,AB	HHCS M6-1.0 x 20
542199649	Y	Boot, Switch	725237271	Q1	HHCS M6-1.0 x 25
542199652	Y	Bracket, Water Pump, Inlet	725237671	J	HHCS M6-1.0 x 35
542199657	Y	Hose Assy, 1/2"MGH	725237951	X1,X2	HHCS M6-1.0 x 45
542199658	Y	Hose Assy, 3/4"FGH	725244771	E2,E3,P4,Q1	HHCS M8-1.25 x 12
542199671	Y	Cord, Electrical - Water Pump	725244971	Q1	HHCS M8-1.25 x 16
542199677	E3	Lanyard, 24" Nylon Coated	725245171	Q1,T1,T2	HHCS M8-1.25 x 20
542199691	C,D,X3,AB	HHCS M16-2.0 x 140	725245371	A	HHCS M8-1.25 x 25
542199692	D	Block, Baldshaft Spacer - Black	725245376	X1,X2	HHCS M8-1.25 x 25 10.9
542199713	B	Decal, DEPTH INDICATOR SETTING	725245771	NS	HHCS M8-1.25 x 35
542199714	B	Decal, DEPTH INDICATOR	725245776	A,P2	HHCS M8-1.25 x 35 10.9
542199741	V1	Hose, 6JF90L,4311-6 x14.5	725246751	B	HHCS M8-1.25 x 80 DIN 931
542199749	H	Limiter Plate, Spd Contrl - CE	725248571	NS	HHCS M10-1.50 x 10
542199758	O2	Check Valve	725248971	NS	HHCS M10-1.50 x 16
542199836	R2	Gearbox, 3-Spd, SAE 4 - FS6600	725249171	A	HHCS M10-1.50 x 20
542201048	Y	Installation Sheet: Water Pump	725249371	A,B,C,X1,AB	HHCS M10-1.50 x 25
542201113	R2	Inst Sht: Prox Switch	725249571	P1,P3,P4,Q1	HHCS M10-1.50 x 30
542202184	A	Washer, Tube, 8mm	725249771	P1	HHCS M10-1.50 x 35
542202184	NS	WASHER, TUBE, 8mm, Z/P	725249971	M	HHCS M10-1.50 x 40
542203258	X1	Blade Guard, Rear - 26"	725250151	D,Q1	HHCS M10-1.50 x 50
542203264	X1	Blade Guard, Front - 26"	725251351	A	HHCS M10-1.50 x 110
542203266	X1	Blade Guard, Slip-On, 26" - Compl	725253271	Q1,X2	HHCS M12-1.75 x 20
542203297	X1	Blade Guard, Rear - 30"	725253471	B,C,Q2,Z	HHCS M12-1.75 x 25
542203303	X1	Blade Guard, Front - 30"	725253671	D	HHCS M12-1.75 x 30
542203305	X1	Blade Guard, Slip-On, 30" - Compl	725253871	B	HHCS M12-1.75 x 35
542203310	X1	Blade Guard, Rear - 36"	725254251	B	HHCS M12-1.75 x 50
542203316	X1	Blade Guard, Front - 36"	725254271	D	HHCS M12-1.75 x 50
542203318	X1	Blade Guard, Slip-On, 36" - Compl	725254451		HHCS M12-1.75 x 60
542203335	X1	Cover, Flange	725254571	N1,N2	HHCS M12-1.75 x 65 DIN 933
542205191	M	Extension, Pointer	725254671	D	HHCS M12-1.75 x 70 DIN 933
542205308	J	Bracket, Raise/Lower Switch	725254871	O1	HHCS M12-1.75 x 80 DIN 933
542205309	J	Toggle Switch - Compl	725536601		SHCS M6-1.0 x 12
542206068	A	Hinge, Tube Pivot	725545555	P2	SHCS+F765 M8-1.25 x 30 12/9 B/O
542206073	A	Latch, 1/4-Turn, Slot Head	731231601	X1,X2,AB	Nut, Hex M6-1.0 DIN 934
542206201	E3	Lanyard, Filter Retainer	731231801	L1,Q1	Nut, Hex M8-1.25 DIN 934
542206202	R2,S	Flange, Inner - 4.5"	731432001	P4	Clamp, Hose SAE12
542206244	T2	Hose, 5/16 ID x 44"	732251401	A,Y	Locknut, Fiber M5-0.8
542206251	I	Spring, Extension	732251601	E2,J,Q1,X1,X2,	Locknut, Fiber M6-1.0
542206258	P4	Shift Rod, Long	732251601	X3,AB	Locknut, Fiber M6-1.0
542206292	F1,F2	Nut, Connector	732251801	A,B,E1,L1,S,T1,	Locknut, Fiber M8-1.25
542206293	F1,F2	Washer, Connector	732251801	X1,X2,X3,AB	Locknut, Fiber M8-1.25
542206324	A	SBHCS M8-1.25 x 60	732252001	C,M,X1	Locknut, Fiber M10-1.5
542206356	Q1	Washer, Flat 2.50 x .657 x .188	732252201	B,C,Q1,X2,X3,Z,AA	Locknut, Fiber M12-1.75
542206393	S	Sprocket, 30-Tooth Bladshaft	734115201	C,Q1,X4+E594	Washer, Flat M6
542206416	P4	Stud, M10-1.5 x 25	734115441	X1,X2	Washer, Flat M6 Large
542206417	F1,F2	LED - Red	734116301	X1,X2	Washer, Flat M8
542206463	S	Bladshaft, w/Tach	734116541	A,B	Washer, Flat M8 Large
542206478	R2	Pin, Dowel 5 x 50mm	734117201	A,B,C,Q1,X1	Washer, Flat M10
542206479	S	Tube, Bladshaft w/Tach - FS6600	734117801	B,D,G,H,X2	Washer, Flat M12
542206500	A	SBHCS M8-1.25 x 50	735115301	A,Q1	Washer, Lock M6 DIN 127
542206510	A	Latch, Hood Spring	735116401	A,B,E3,P4,Q1,T1,T2	Washer, Lock M8 DIN 127
542206535	D,R1,R2,S	Bladshaft, FS6600 - Compl	735117301	A,C,D,M,P1,	Washer, Lock M10 DIN 127
542206551	A	Frame Corner - RH	735117301	P3,P4,AB	Washer, Lock M10 DIN 127
542206555	P4	Guard, Inner Belt - RH	735117801	B,C,D,N1,N2,Q1,Q2	Washer, Lock M12 DIN 127
542206557	P4	Guard, Inner Belt - LH	740380801	R2,S	Washer, Sealing M6
542206559	P3,P4	Bracket, Belt Guard			
542206562	A	Guard, Flange			
542206566	A	Guard, Sheave			
542206569	A	Frame Corner - LH			
542206626	A	Panel, Insert - RH			
542206628	A	Panel, Insert - LH			
542206634	R2	Kit, Prox Switch			
542206639	A	Tube, Hinge			
542206645	A	Pin, Tube Connector			
542206651	A	Cradle, Latch			
542206655	A	Latch, Hood			
542206660	P1	Breather Vent w/ Small Hole			
542206666	A,E1	Latch, Side Panel			
LEGEND					
		BHMS	Button Head Machine Screw		
		FLHMS	FLat Head Machine Screw		
		HHCS	Hex Head Cap Screw		
		HWHSTS	Hex Washer Head Self-Tapping Screw		
		RHMS	Round Head Machine Screw		
		SBHMS	Socket Button Head Machine Screw		
		SHCS	Socket Head Cap Screw		
		SHSS	Scocker Head Set Screw		
		STS	Self-Tapping Screw		
		PHCS	Pan Head Cap Screw		
		PHMS	Pan Head Machine Screw		
		PHSTS	Pan Head Self-Tapping Screw		

A Frame, Nose & Side Panels

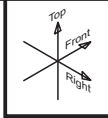


WARNING

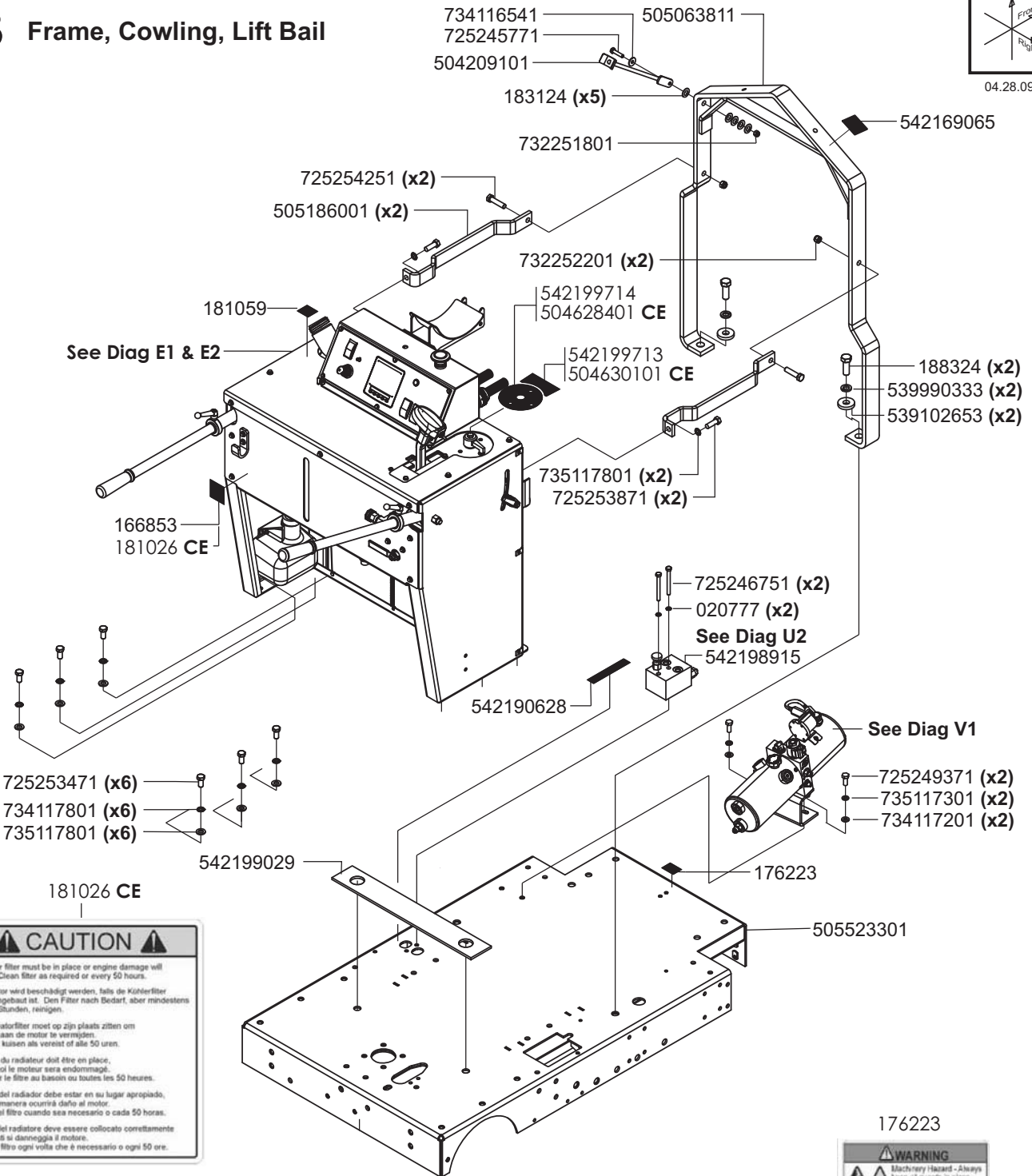
Read Operation Manual
 ⚠ Match Gearbox Speed, Blade & Flange Size!
 ⚠ Avoid Injury Or Death Caused Occur. Stop Engine To Shift. Else Gearbox May Be Damaged!

1 Lift Detent Lock (Twist To Hold)
2 Shift Lever To Select Gear (In 1, 2, Or 3)
3 Lower Detent Lock

B Frame, Cowling, Lift Bail



04.28.09



CAUTION

Radiator filter must be in place or engine damage will occur. Clean filter as required or every 50 hours.

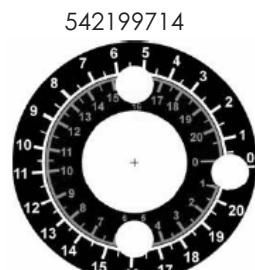
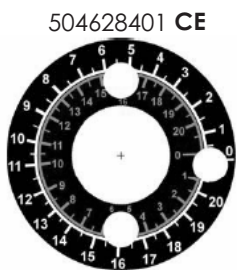
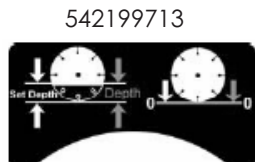
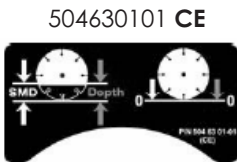
Der Motor wird beschädigt werden, falls der Kühlerfilter nicht eingebaut ist. Den Filter nach Bedarf, aber mindestens alle 50 Stunden, reinigen.

De radiatorfilter moet op zijn plaats zitten om schade aan de motor te vermijden. De filter kuisen als vereist of alle 50 uren.

Le filtre du radiateur doit être en place, sans quoi le moteur sera endommagé. Nettoyer le filtre au besoin ou toutes les 50 heures.

El filtro del radiador debe estar en su lugar apropiado, de otra manera ocurrirá daño al motor. Limpie el filtro cuando sea necesario o cada 50 horas.

Il filtro del radiatore deve essere collocato correttamente altrimenti si danneggia il motore. Pulire il filtro ogni volta che è necessario o ogni 50 ore.



176223

WARNING

Machinery Hazard - Always keep all guards in place. Siempre en funcionamiento. Los capotres deben estar en posición.

All guards must be in place. Los capotres deben estar en posición.

166853

CAUTION

Radiator filter must be in place or engine damage will occur. Clean filter as required or every 50 hours.

542190628

DRIVE (Engage): Turn Knob Clockwise (Downward)

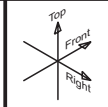
NEUTRAL: Turn Knob Counter-Clockwise (Upward)

542169065

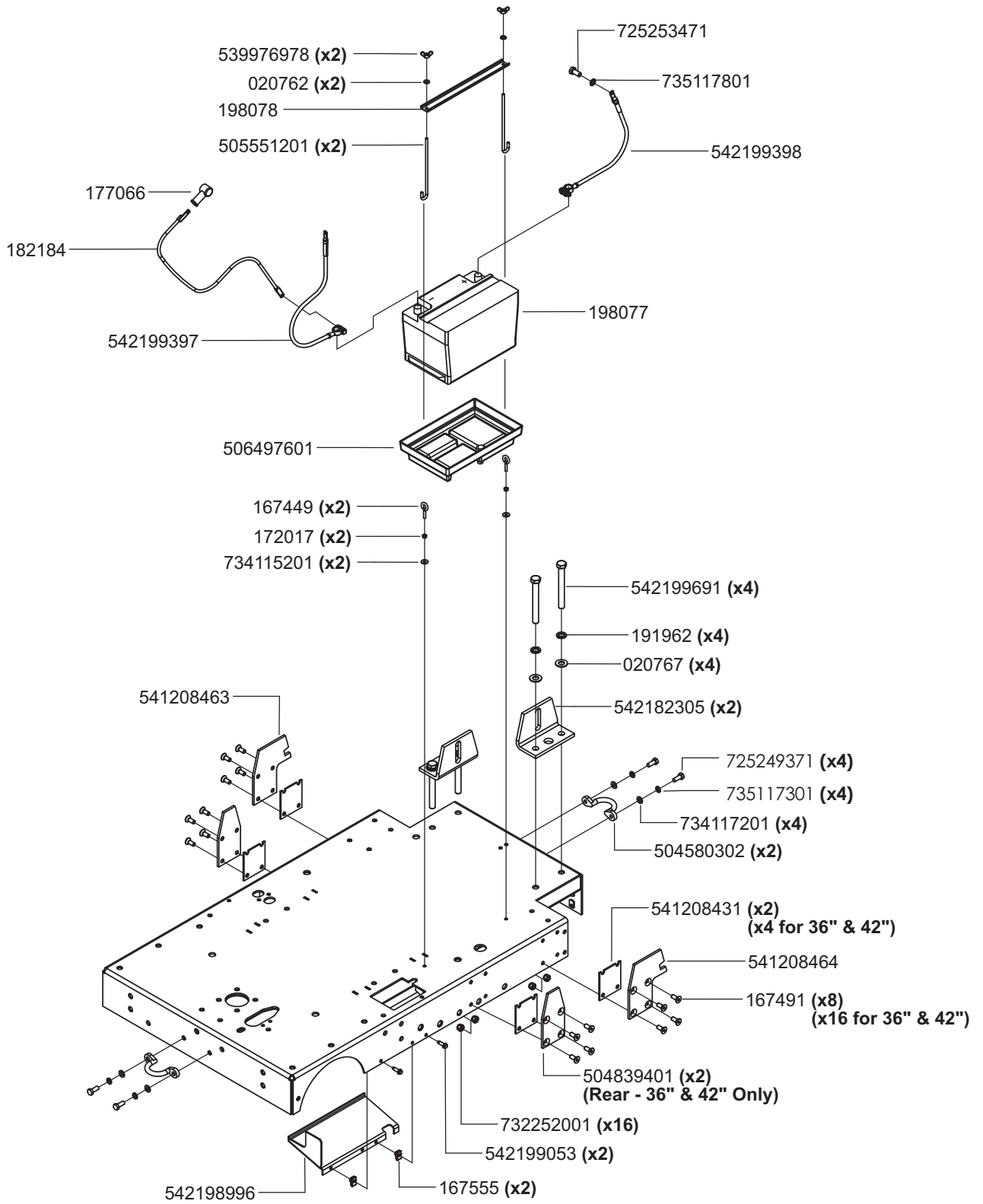
WARNING

Muffler is HOT! May Cause Burns And / Or Ignition Of Material. Avoid Contact!

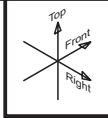
C Upper Frame



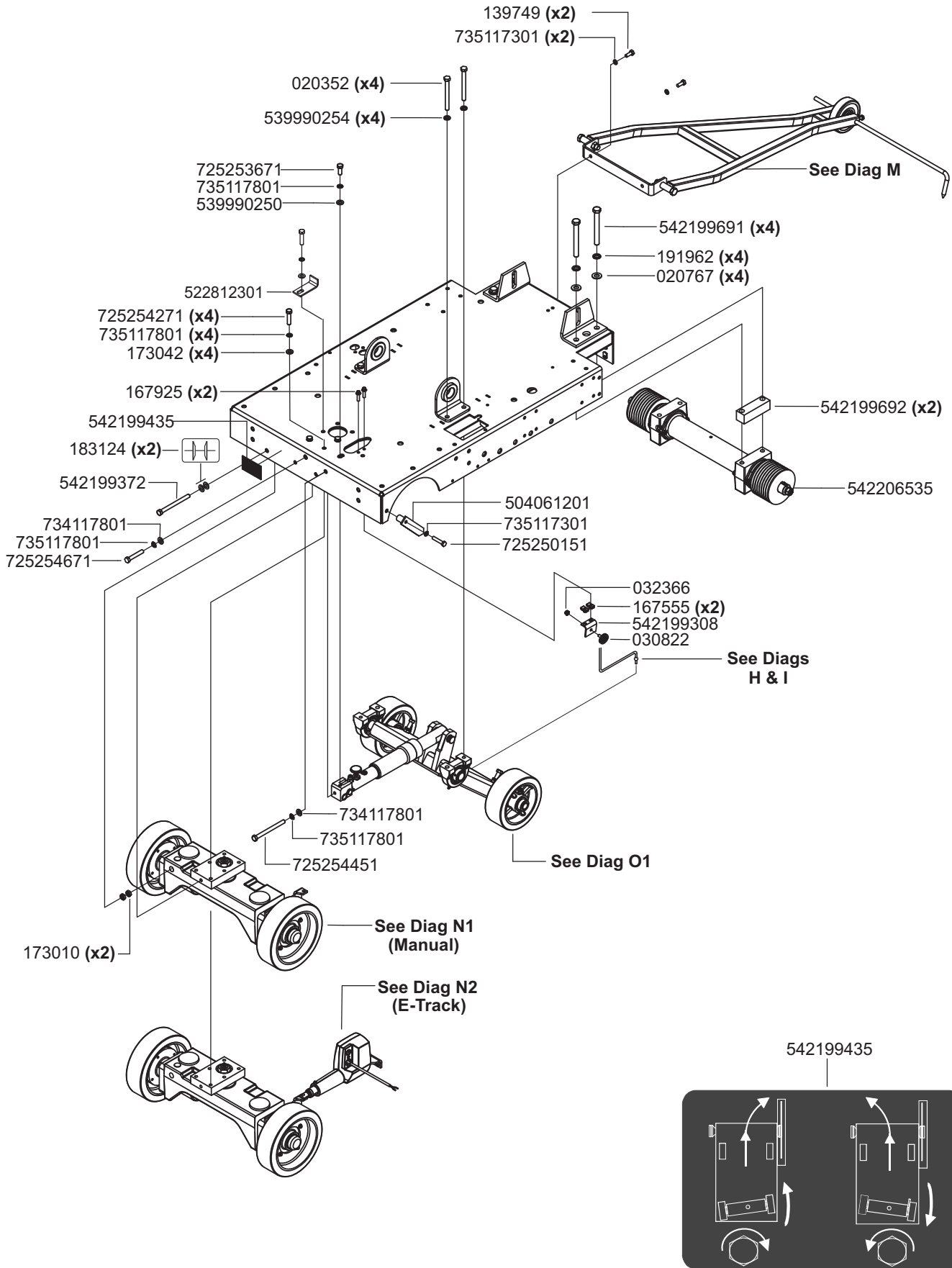
04.28.09



D Lower Frame with Pointers

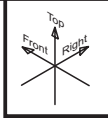


04.28.09

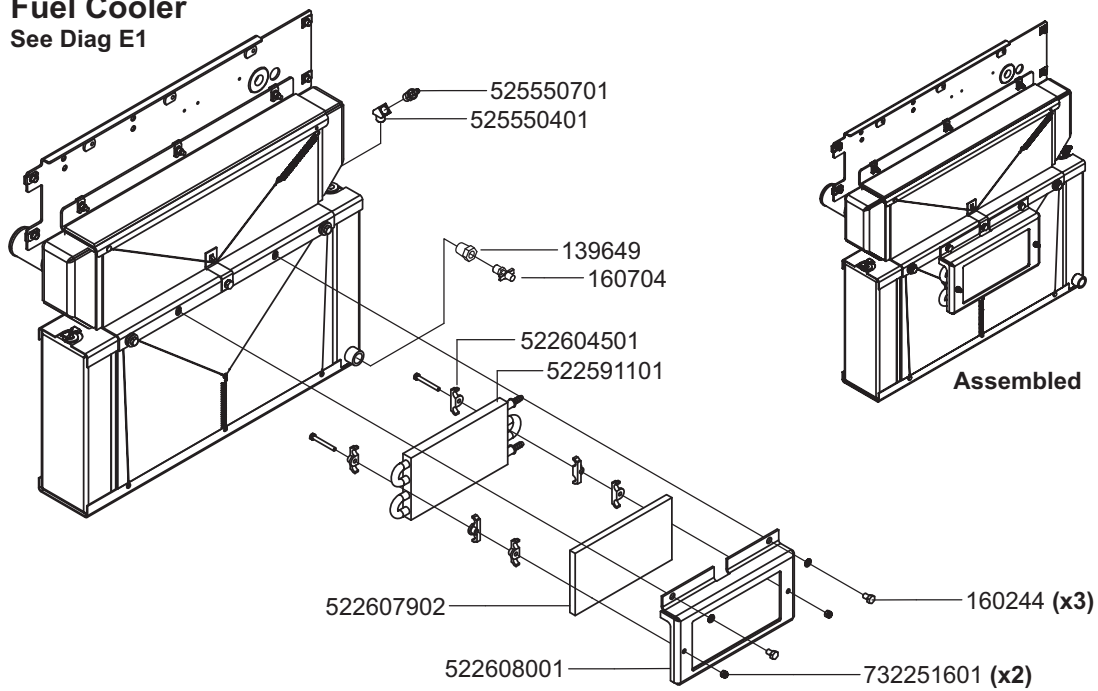


E2 Fuel Cooler

See Diag E1

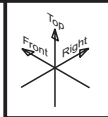


05.06.09

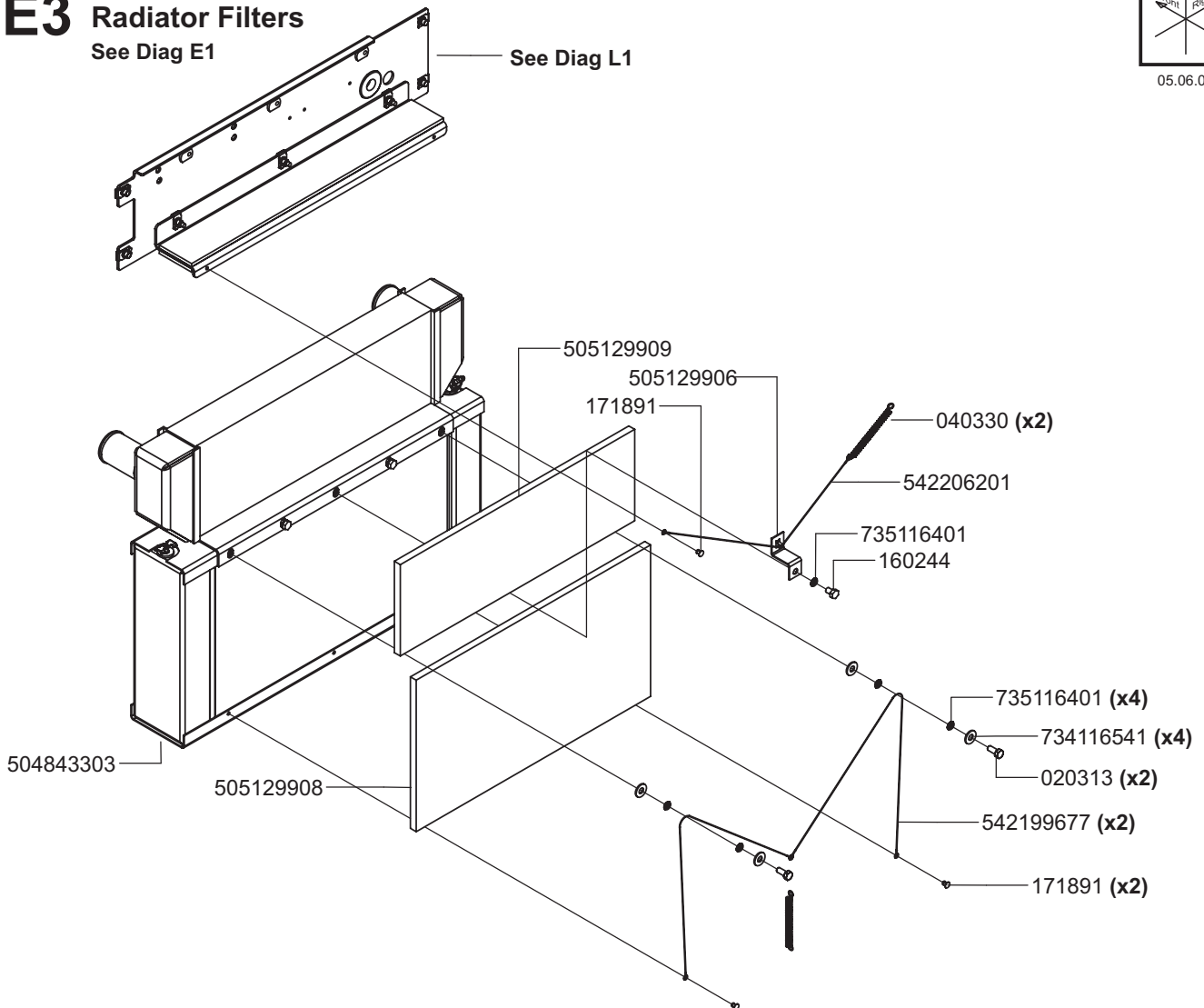


E3 Radiator Filters

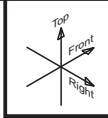
See Diag E1



05.06.09

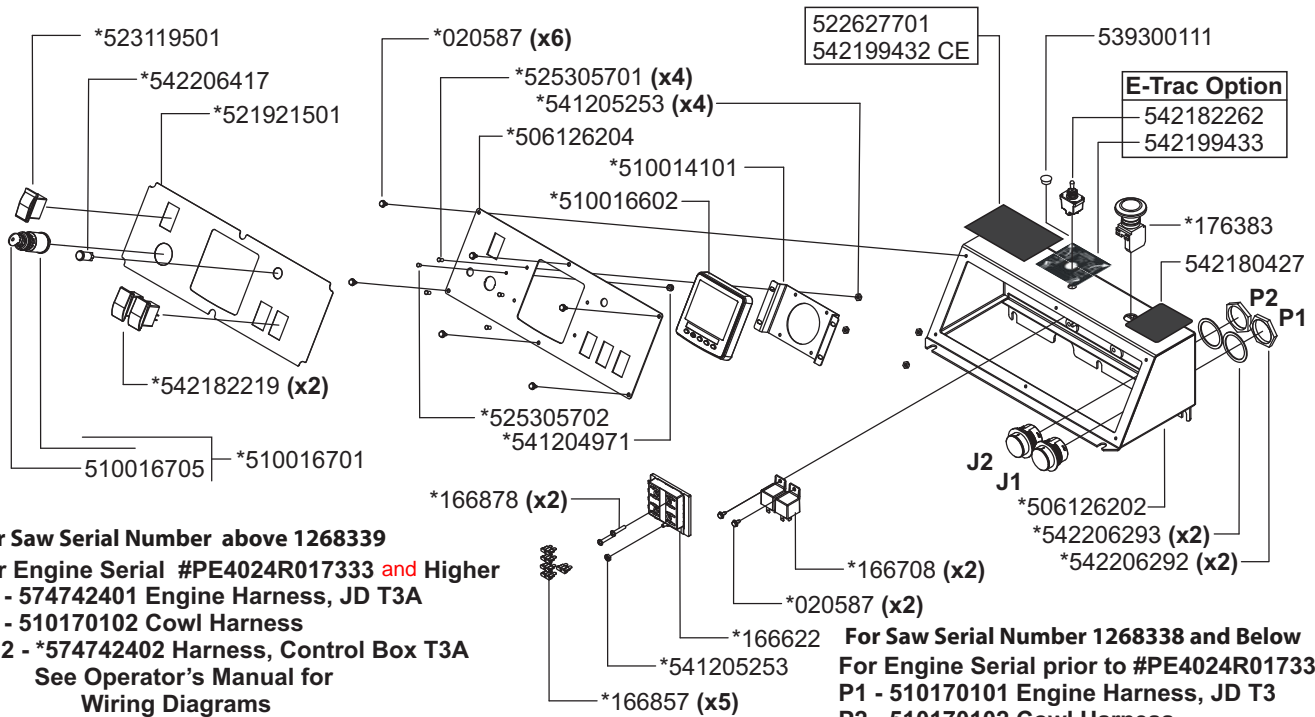


F1 Control Box - 1-Speed



10.20.09

- *510182601 - Compl: For Saw Serial Number 1268338 and Below
For Engine Serial No. prior to PE4024R017331
- *574744101 - Compl:
For Engine Serial No. after PE4024R01733
For Saw Serial Number above 1268339



For Saw Serial Number above 1268339
For Engine Serial #PE4024R017333 and Higher
P1 - 574742401 Engine Harness, JD T3A
P2 - 510170102 Cowl Harness
J1,2 - *574742402 Harness, Control Box T3A
See Operator's Manual for
Wiring Diagrams

For Saw Serial Number 1268338 and Below
For Engine Serial prior to #PE4024R017331
P1 - 510170101 Engine Harness, JD T3
P2 - 510170102 Cowl Harness
J1,2 - *525310501 Harness, Control Box
See Operator's Manual for
Wiring Diagrams

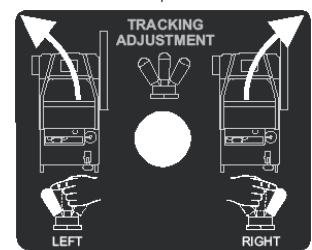
*522627701

ENGINE SPEED / BLADE SIZE					
BLADE SIZE	FLANGE SIZE	BLADE SHAFT		JD ENGINE SPEED	
		LOADED RPM	PULLEY SIZE	RATED RPM	PULLEY SIZE
14"	5"	2400	4.12"	2800	4.75"
20"	5"	2400	4.12"	2800	4.75"
26"	5"	1800	4.75"	2800	4.12"
30"	5"	1600	4.75"	2800	3.65"
36"	6"	1350	5.60"	2800	3.65"
42"	7"	1180	6.4"	2800	3.65"

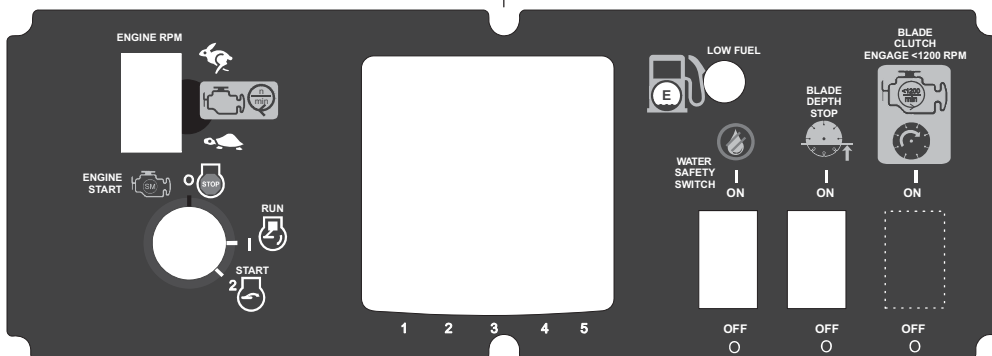
542199432 CE

Blade Size	Flange Size	Loaded RPM	Pulley Size	Rated RPM	Pulley Size
450 mm	127 mm	105 mm	2400	600 - 650 mm	121 mm 2800
650 mm	127 mm	120 mm	1800	800 - 650 mm	105 mm 2800
750 mm	127 mm	120 mm	1600	700 - 750 mm	93 mm 2800
900 mm	152 mm	142 mm	1360	750 - 900 mm	69 mm 2800
1050 mm	178 mm	163 mm	1180	1000 - 1050 mm	93 mm 2800

542199433



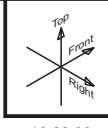
521921501



542180427

Covered By One Or More
Of The Following
U.S. Patents:
4333685, 4333686, 4744604,
4827558, 4921308, 4968095,
4966604, 5211946, 5381730,
5477841, 5680854, 5690347,
5743247, 5809955, 5810448,
D337037, D345101, D369816,
D371375, D373094
Other U.S. And Foreign
Patents Pending

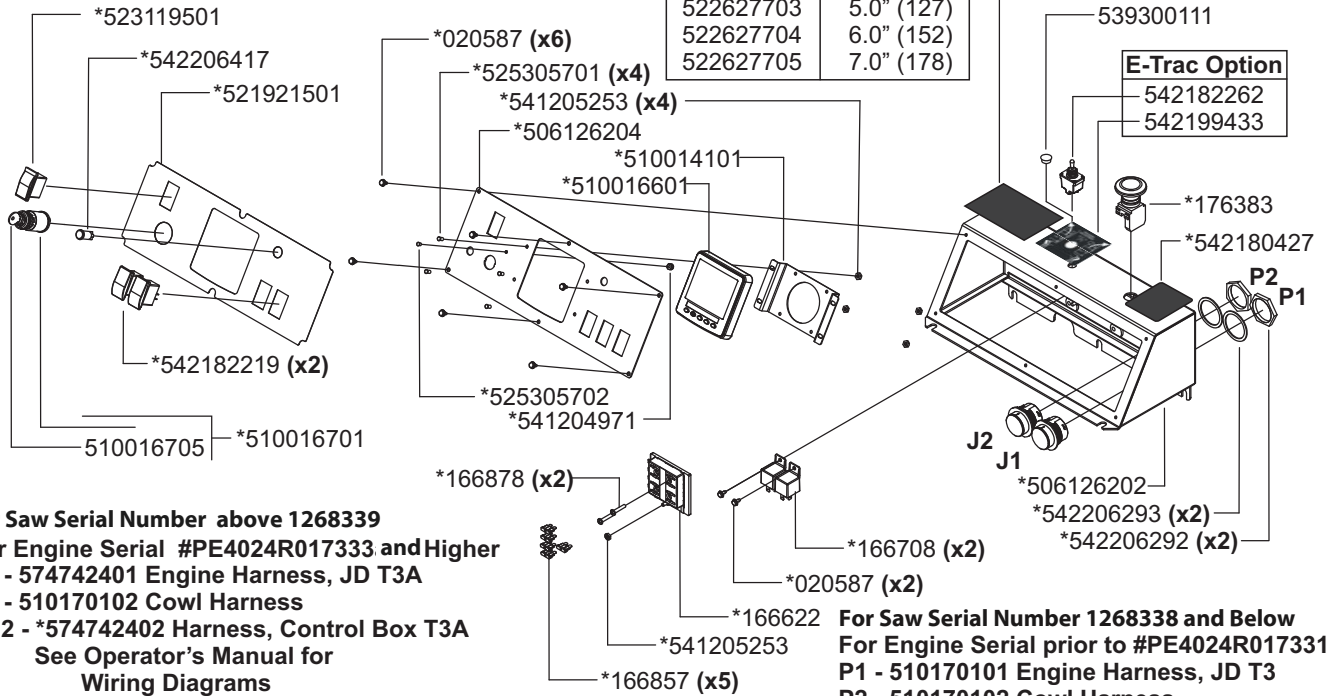
F2 Control Box - 3-Speed



10.20.09

*510182601 - Compl: For Saw Serial Number 1268338 and Below
 For Engine Serial No. prior to PE4024R017331
 *574744101 - Compl:
 For Engine Serial No. after PE4024R01733
 For Saw Serial Number above 1268339

G-Box Range / Blade RPM	
Decal No	Flange Dia Inch (mm)
522627702	4.5" (114)
522627703	5.0" (127)
522627704	6.0" (152)
522627705	7.0" (178)



For Saw Serial Number above 1268339
 For Engine Serial #PE4024R017333 and Higher
 P1 - 574742401 Engine Harness, JD T3A
 P2 - 510170102 Cowl Harness
 J1,2 - *574742402 Harness, Control Box T3A
 See Operator's Manual for
 Wiring Diagrams

For Saw Serial Number 1268338 and Below
 For Engine Serial prior to #PE4024R017331
 P1 - 510170101 Engine Harness, JD T3
 P2 - 510170102 Cowl Harness
 J1,2 - *525310501 Harness, Control Box
 See Operator's Manual for
 Wiring Diagrams

GEARBOX RANGE / BLADE RPM (14-28, FS 8600 / FS 8400) P/N 522627702					
FLANGE SIZE	BLADE SIZE (Maximum)	GEARBOX RANGE		BLADE RPM	ENGINE RPM
		GEAR	PULLEY	RPM	PULLEY
4.50" 114 mm	14" 350 mm	3	4.75" 121 mm	3100	4.12" 105 mm
	20" 500 mm	2		2170	
	28" 710 mm	1		1860	

522627702

GEARBOX RANGE / BLADE RPM (19-30, FS 8600 / FS 8400) P/N 522627703					
FLANGE SIZE	BLADE SIZE (Maximum)	GEARBOX RANGE		BLADE RPM	ENGINE RPM
		GEAR	PULLEY	RPM	PULLEY
5.00" 127 mm	18" 460 mm	3	4.12" 105 mm	2680	4.12" 105 mm
	26" 660 mm	2		1880	
	30" 760 mm	1		1600	

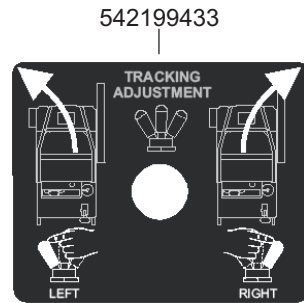
522627703

GEARBOX RANGE / BLADE RPM (20-38, FS 8600 / FS 8400) P/N 522627704					
FLANGE SIZE	BLADE SIZE (Maximum)	GEARBOX RANGE		BLADE RPM	ENGINE RPM
		GEAR	PULLEY	RPM	PULLEY
6.00" 152 mm	20" 500 mm	3	4.12" 105 mm	2300	4.75" 121 mm
	30" 760 mm	2		1620	
	38" 960 mm	1		1360	

522627704

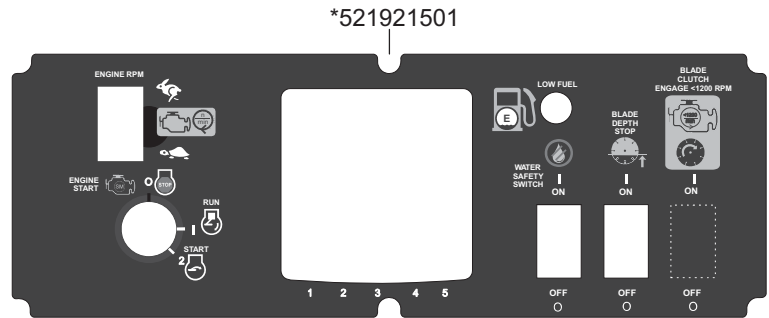
GEARBOX RANGE / BLADE RPM (28-42, FS 8600 / FS 8400) P/N 522627705					
FLANGE SIZE	BLADE SIZE (Maximum)	GEARBOX RANGE		BLADE RPM	ENGINE RPM
		GEAR	PULLEY	RPM	PULLEY
7.00" 178 mm	28" 690 mm	3	4.12" 105 mm	1960	5.80" 142 mm
	36" 900 mm	2		1380	
	42" 1060 mm	1		1160	

522627705



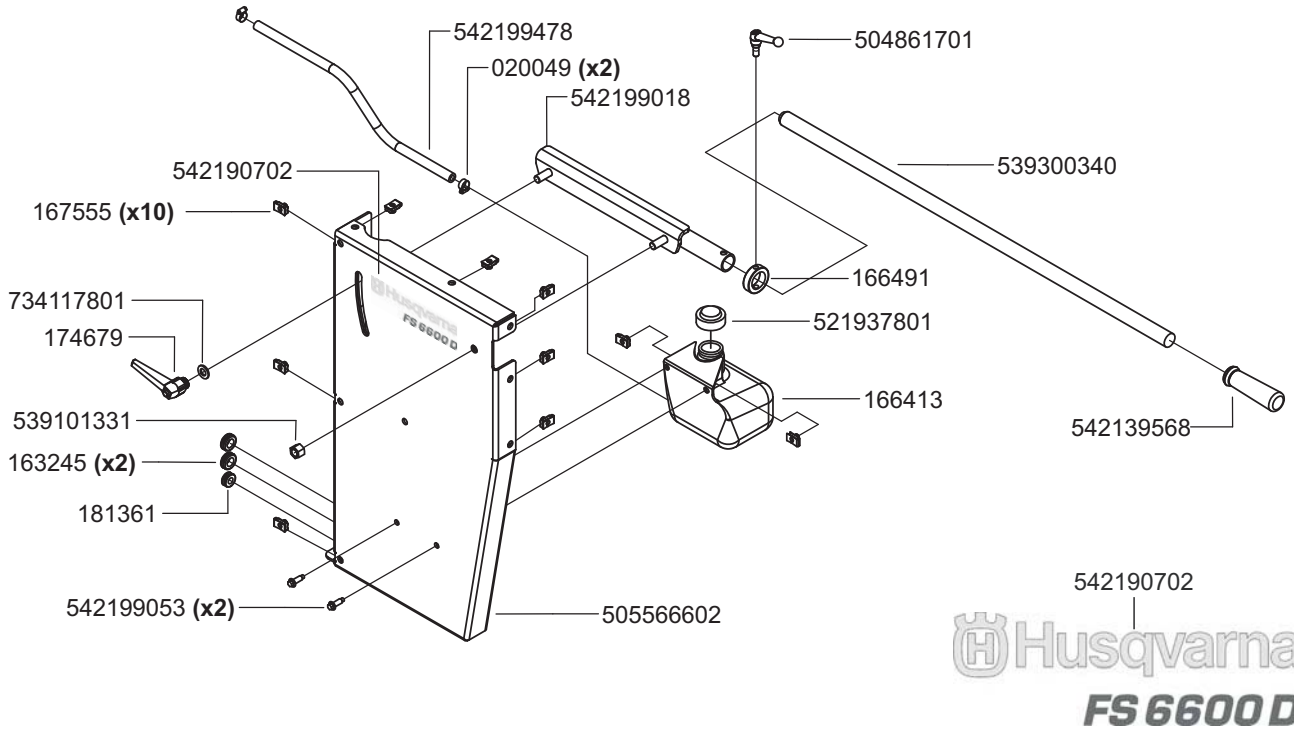
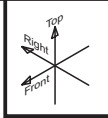
542180427

Covered By One Or More
 Of The Following
 U.S. Patents:
 4333685, 4335656, 4744604,
 4827555, 4921308, 4968099,
 4966604, 5241946, 5381730,
 5477844, 5580854, 5690534,
 5743247, 5809955, 5810448,
 D337037, D346101, D369816,
 D371375, D373094
 Other U.S. And Foreign
 Patents Pending



G Cowling Side - L.H.

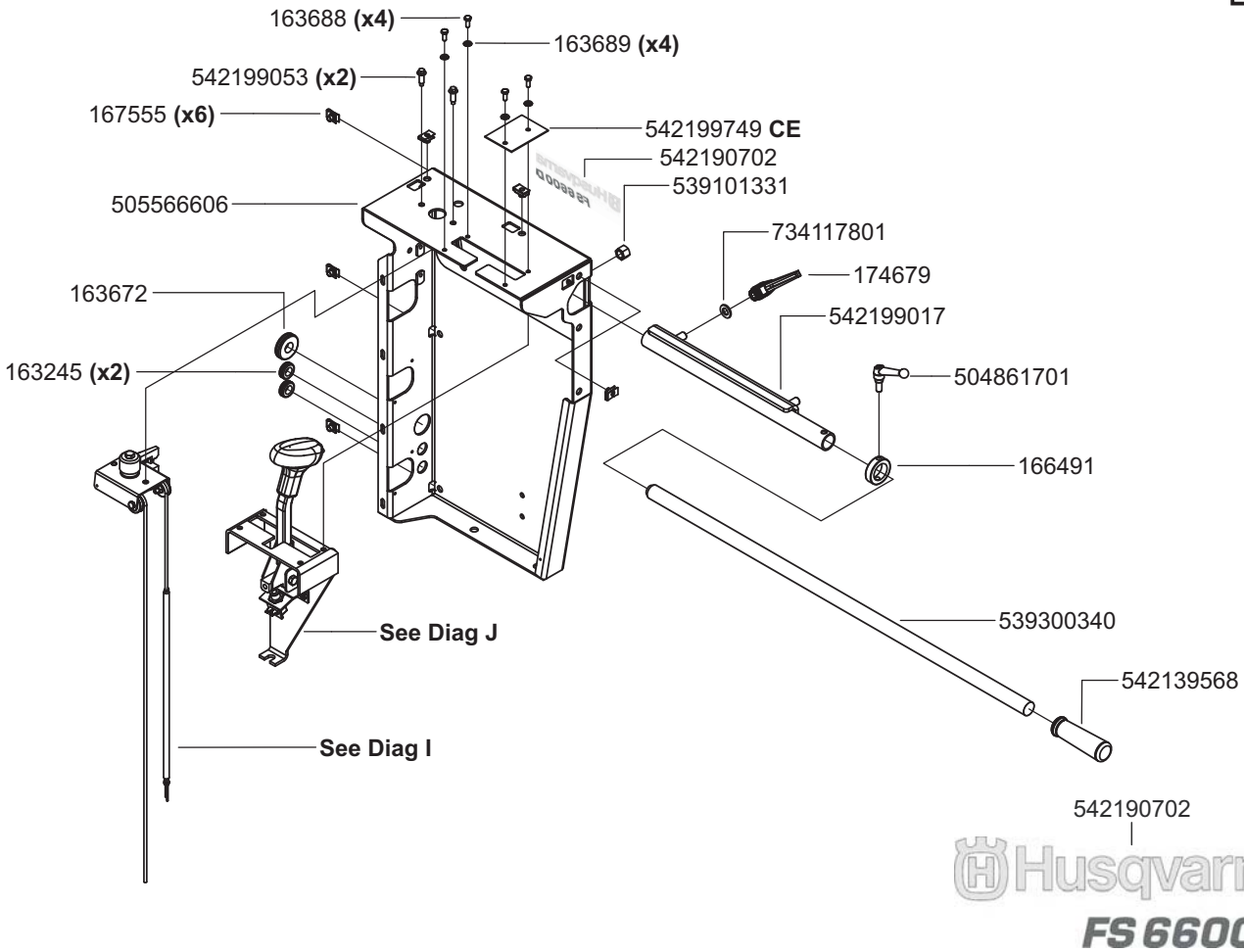
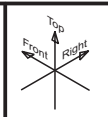
See Diag E1



542190702
 Husqvarna
FS 6600 D

H Cowling Side - R.H.

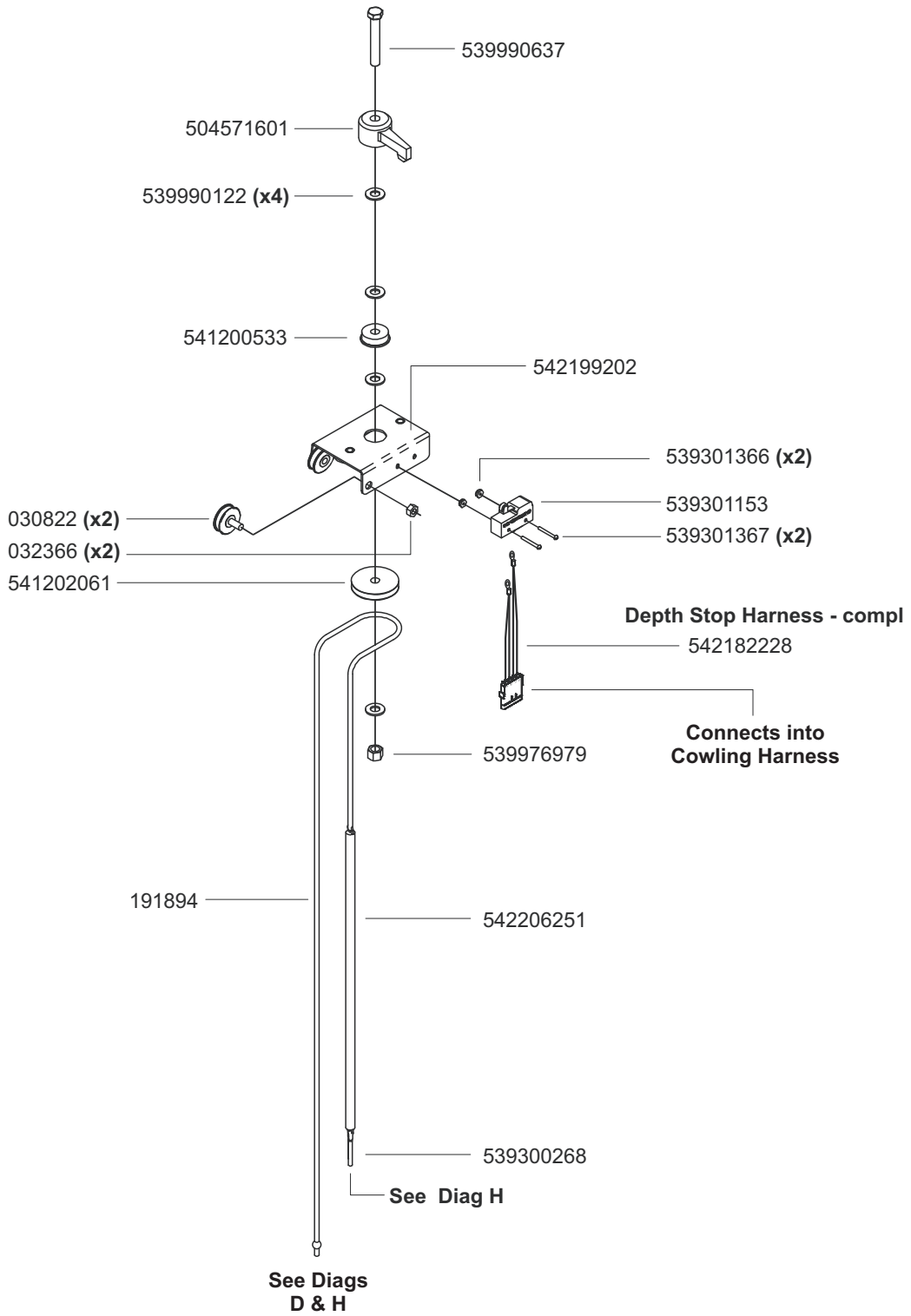
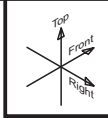
See Diag E1



542190702
 Husqvarna
FS 6600 D

Depth Indicator

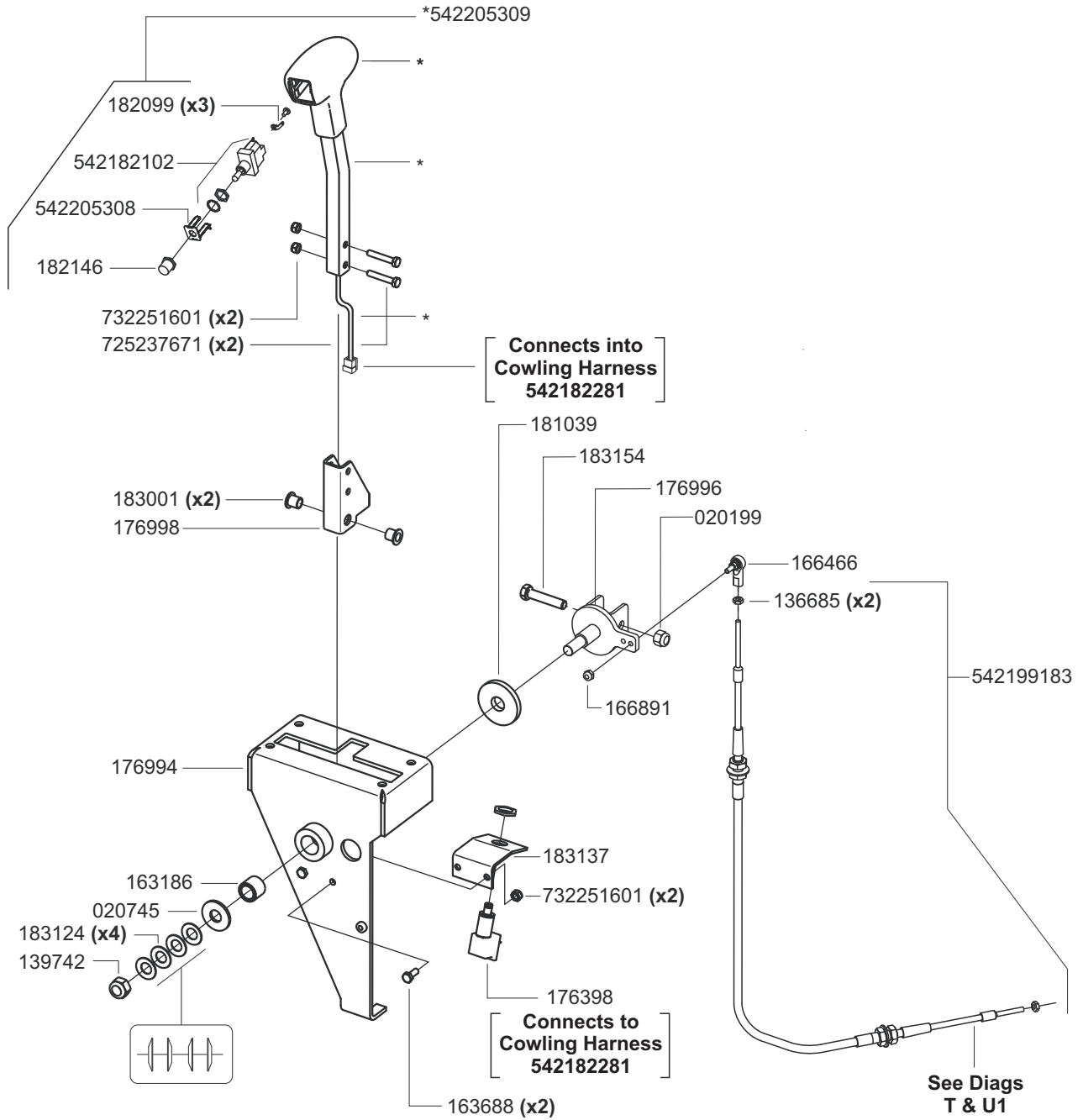
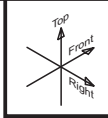
See Diag H



J Speed Control

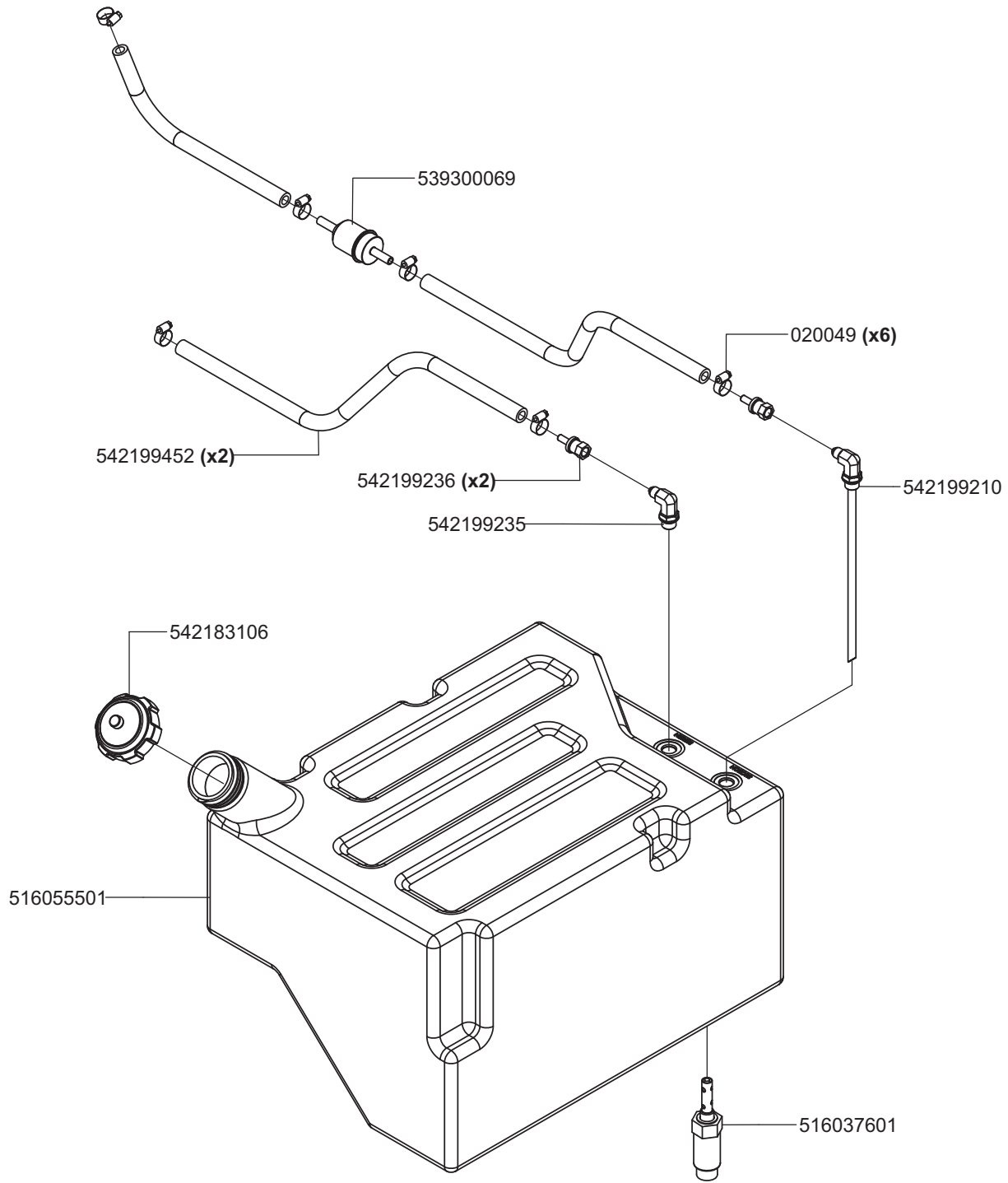
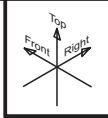
Speed Control - Compl 542199451
See Diag H

*Handle & Switch - Compl 542199222



K Fuel Tank

See Diag E

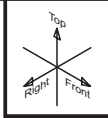


L1 Cowling - Front

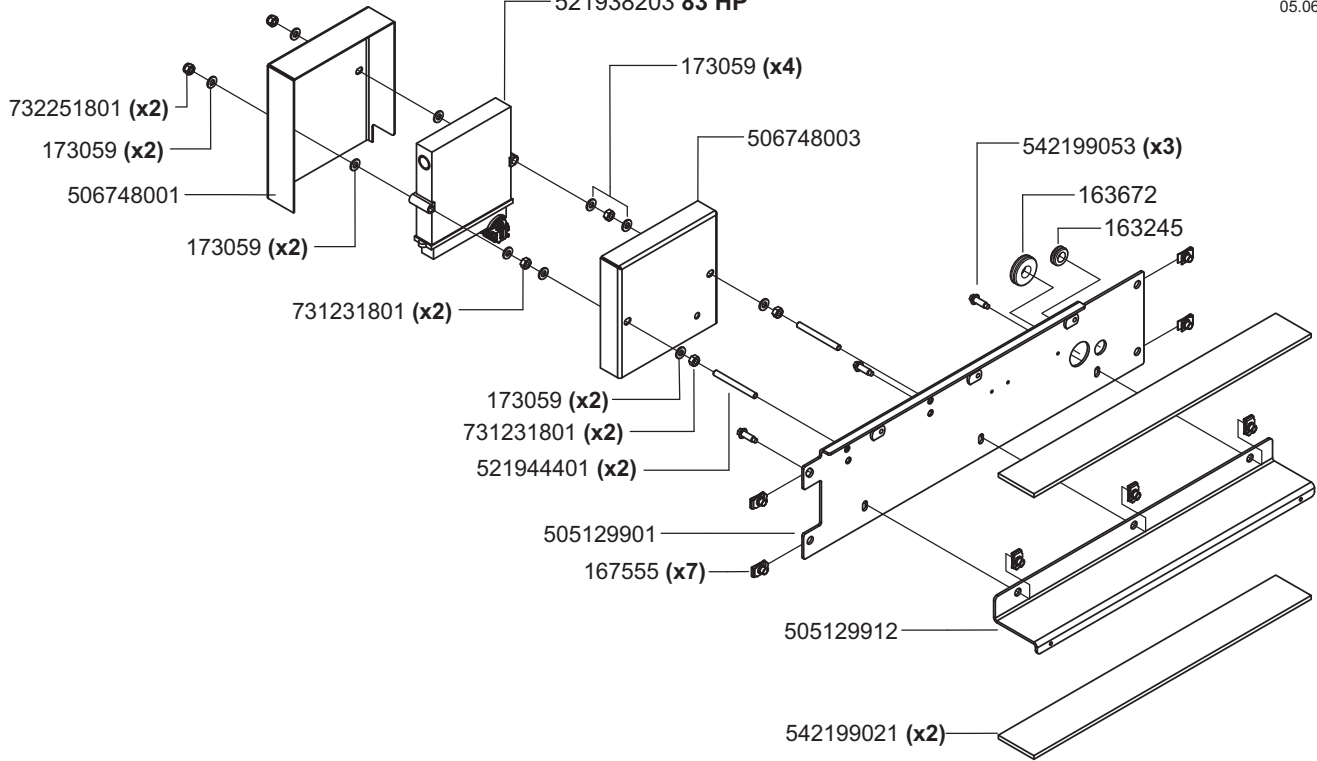
See Diag E

See Diag P1

521938203 83 HP

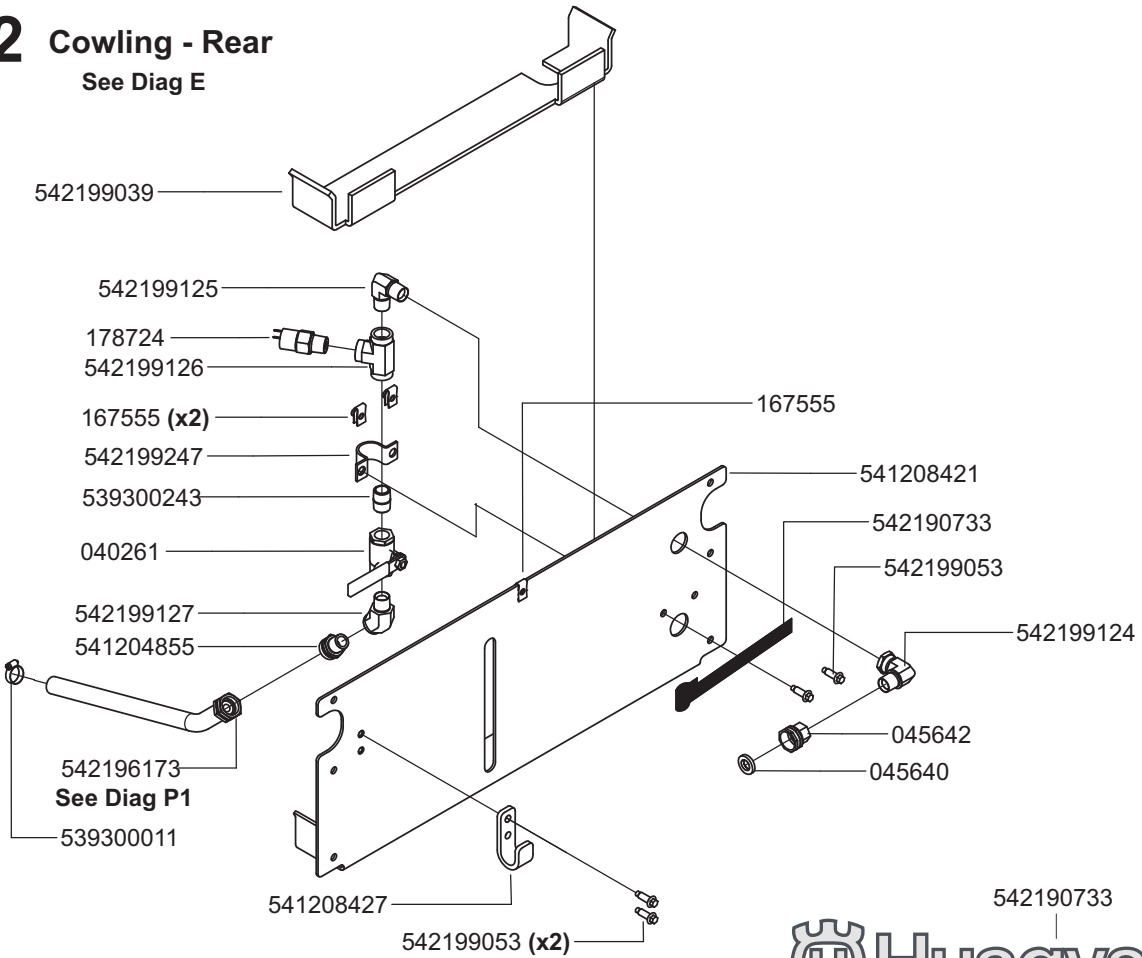
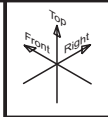


05.06.09

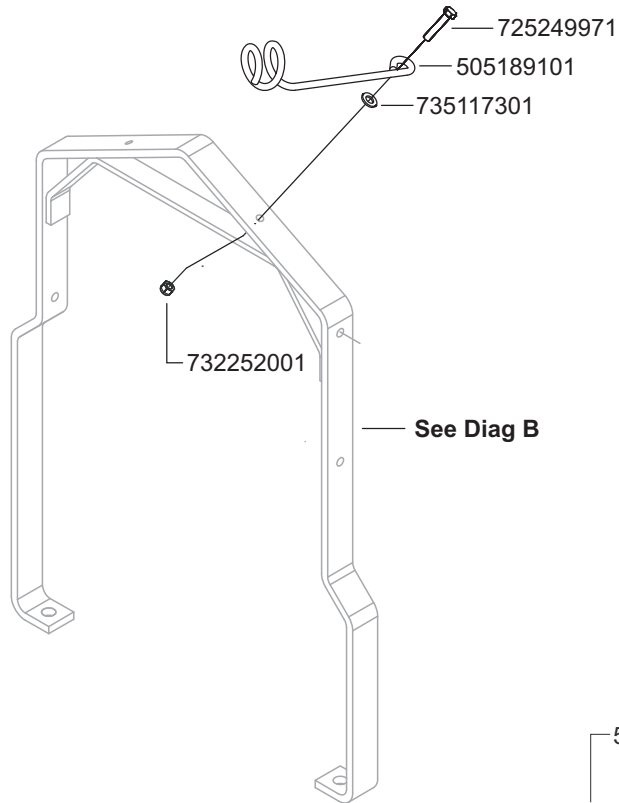
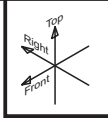


L2 Cowling - Rear

See Diag E

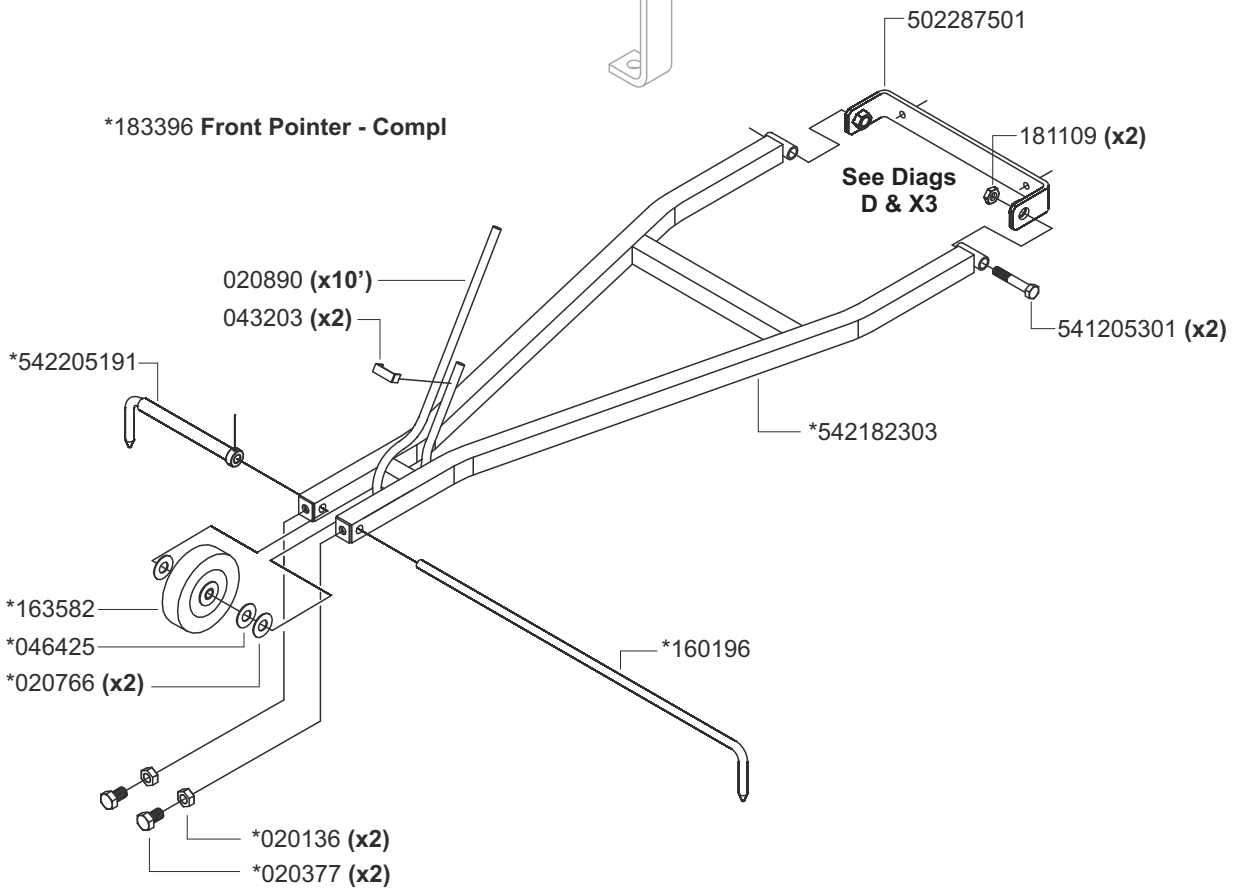


M Front Pointer & Rope Guide



See Diag B

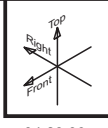
*183396 Front Pointer - Compl



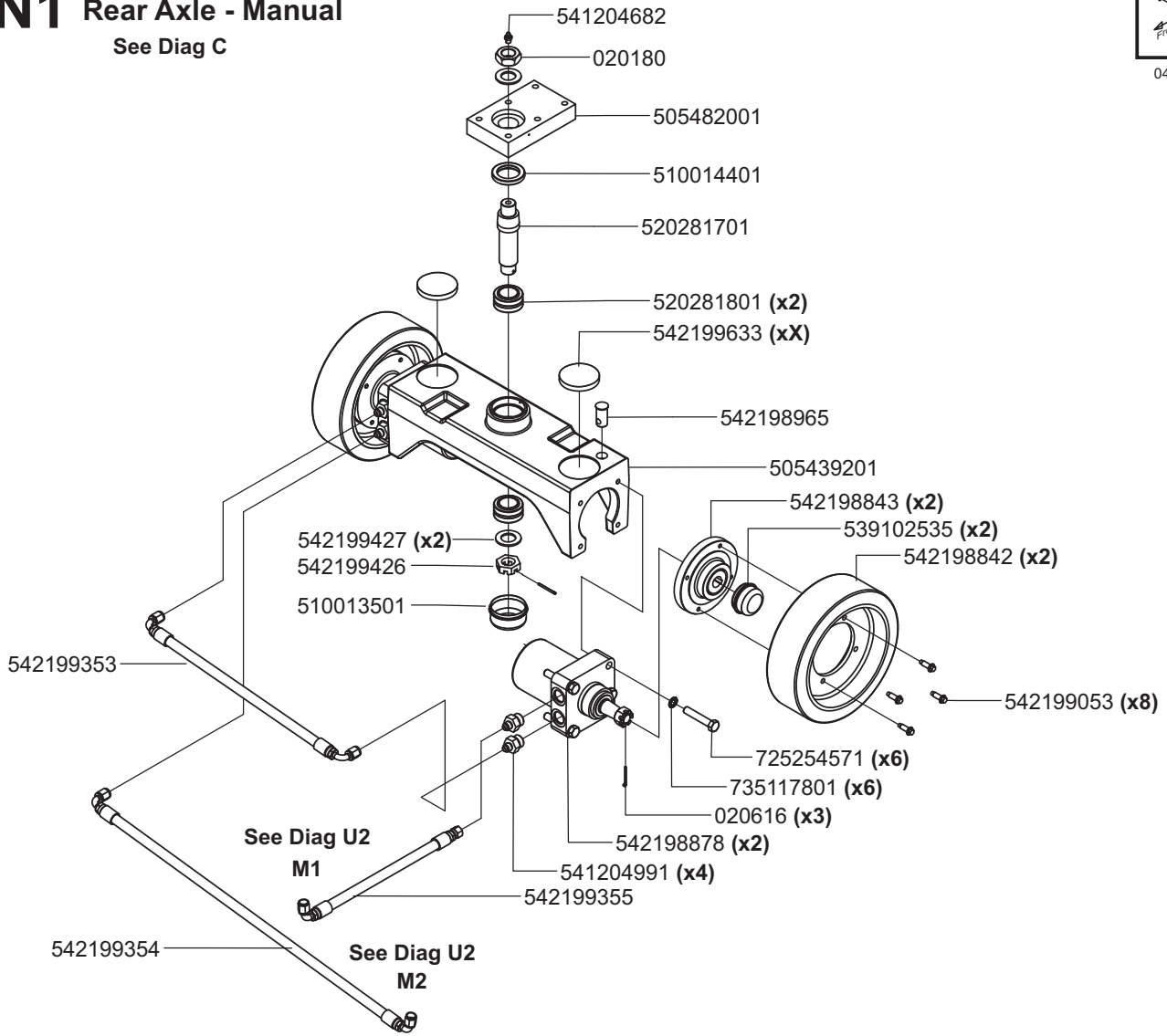
See Diags D & X3

N1 Rear Axle - Manual

See Diag C

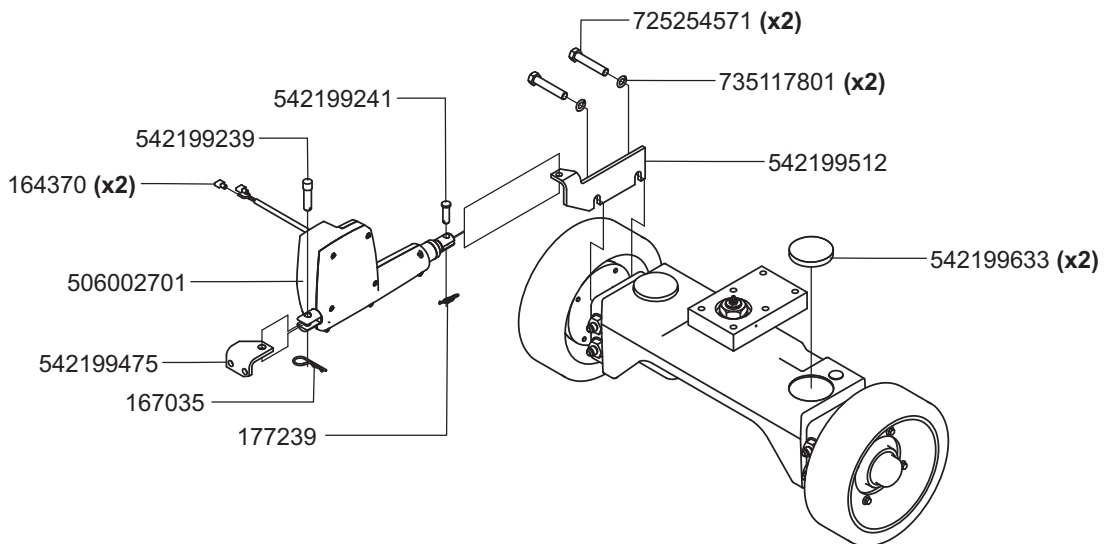
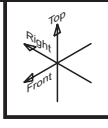


04.28.09



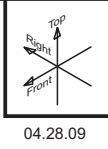
N2 Rear Axle - E-Track

See Diag C

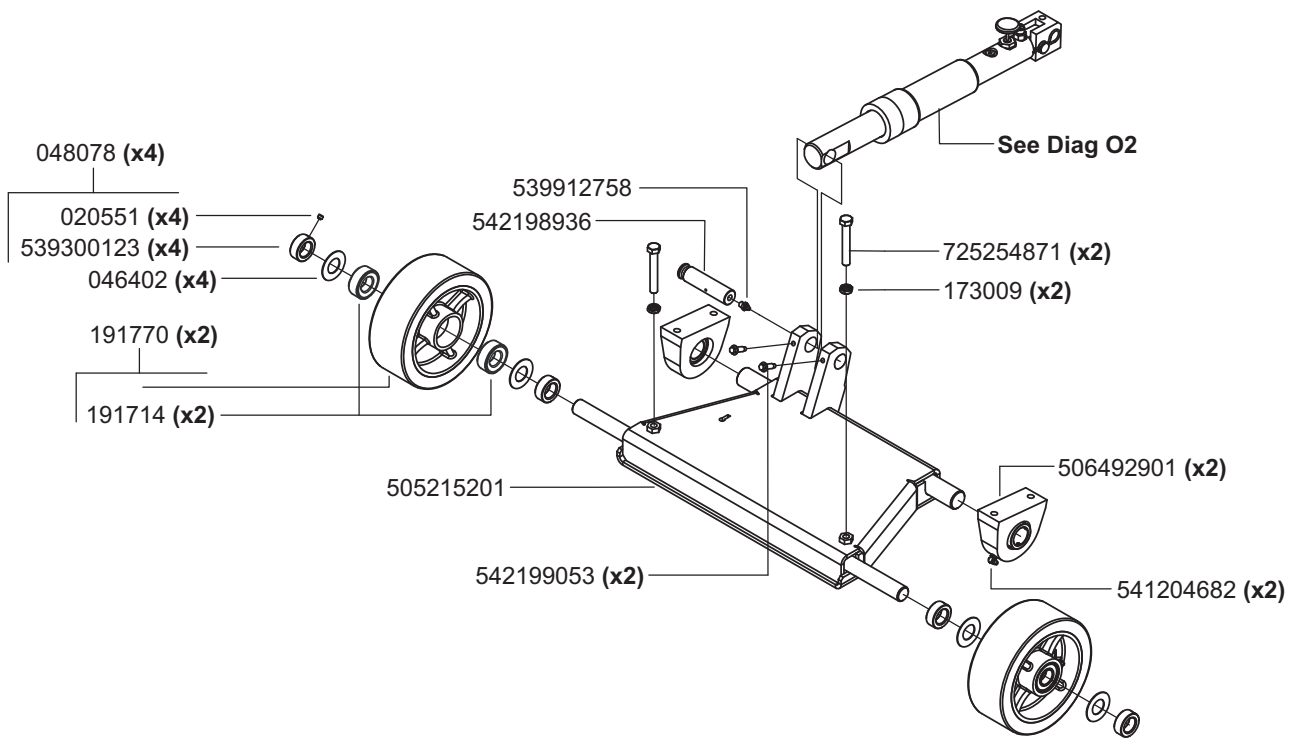


O1 Front Axle

See Diag D

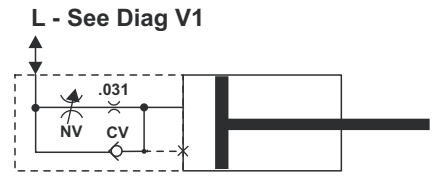
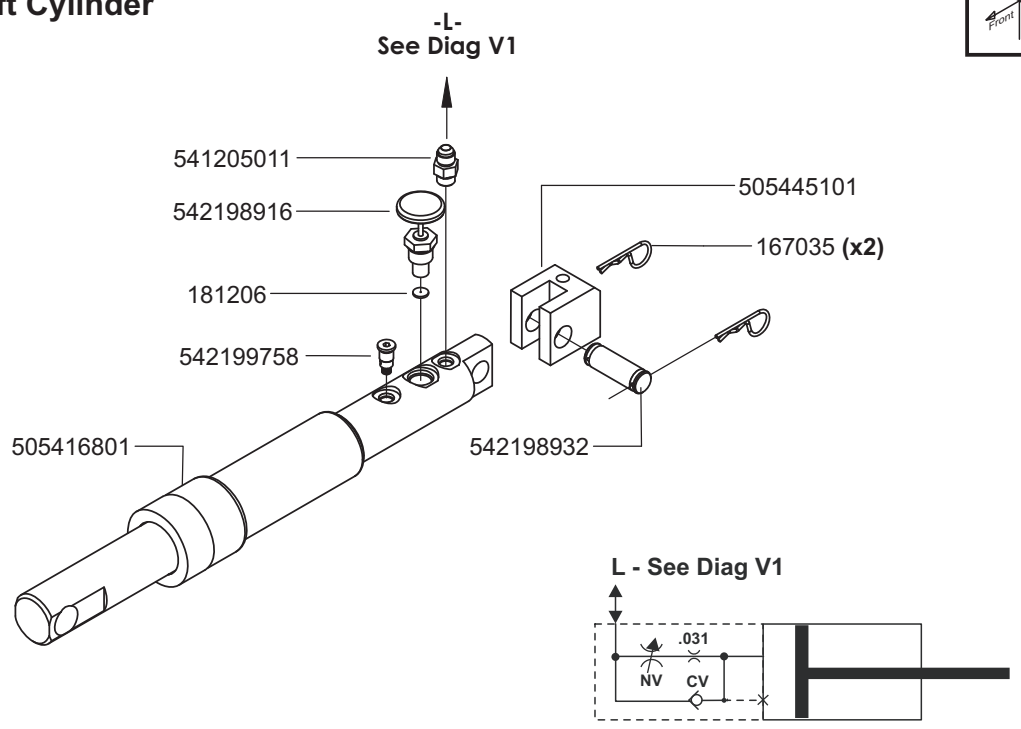
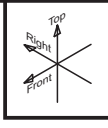


04.28.09



O2 Hydraulic Lift Cylinder

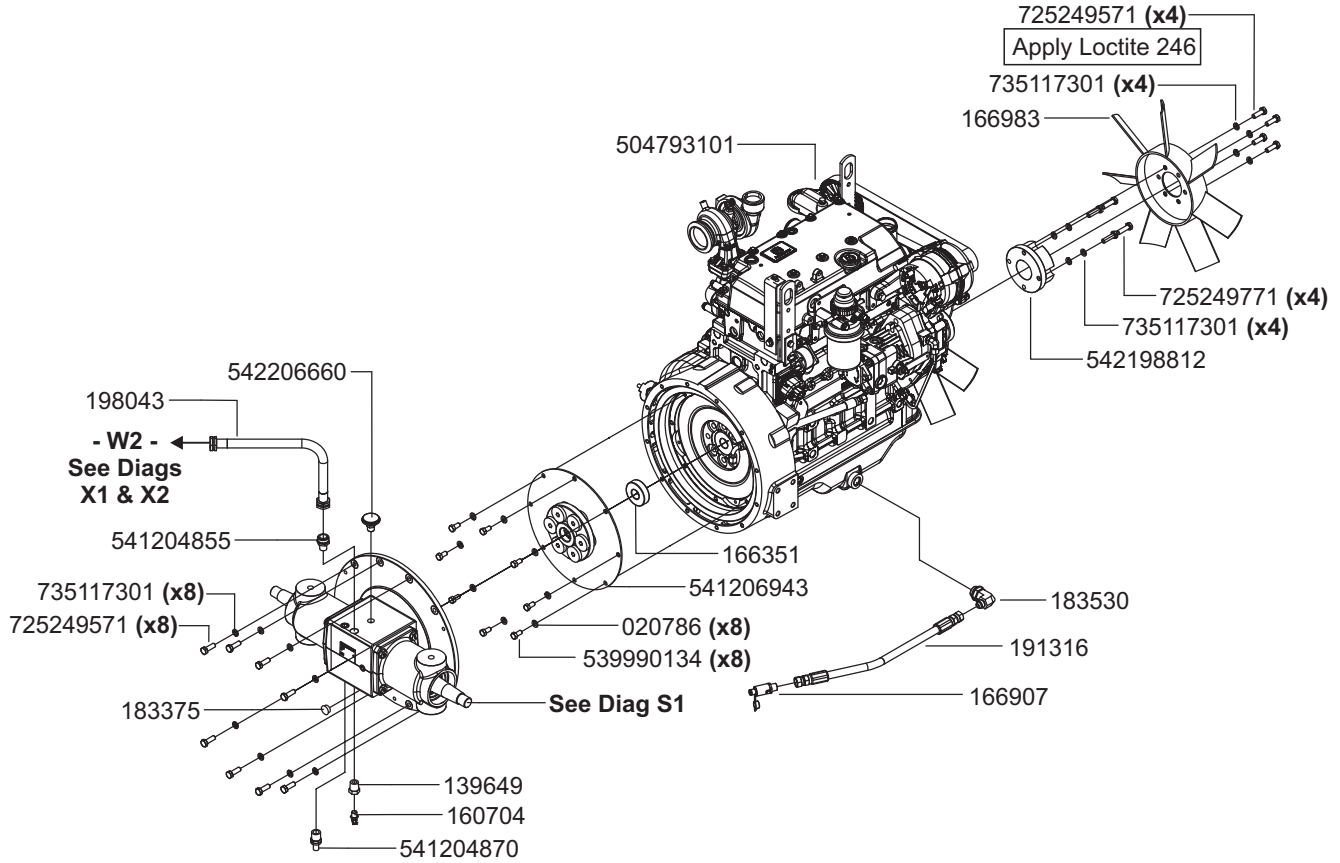
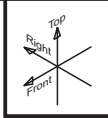
See Diag O1



HYDRAULIC SCHEMATIC
(See OperatorsManual)

P1 Engine, Fan & Gearbox

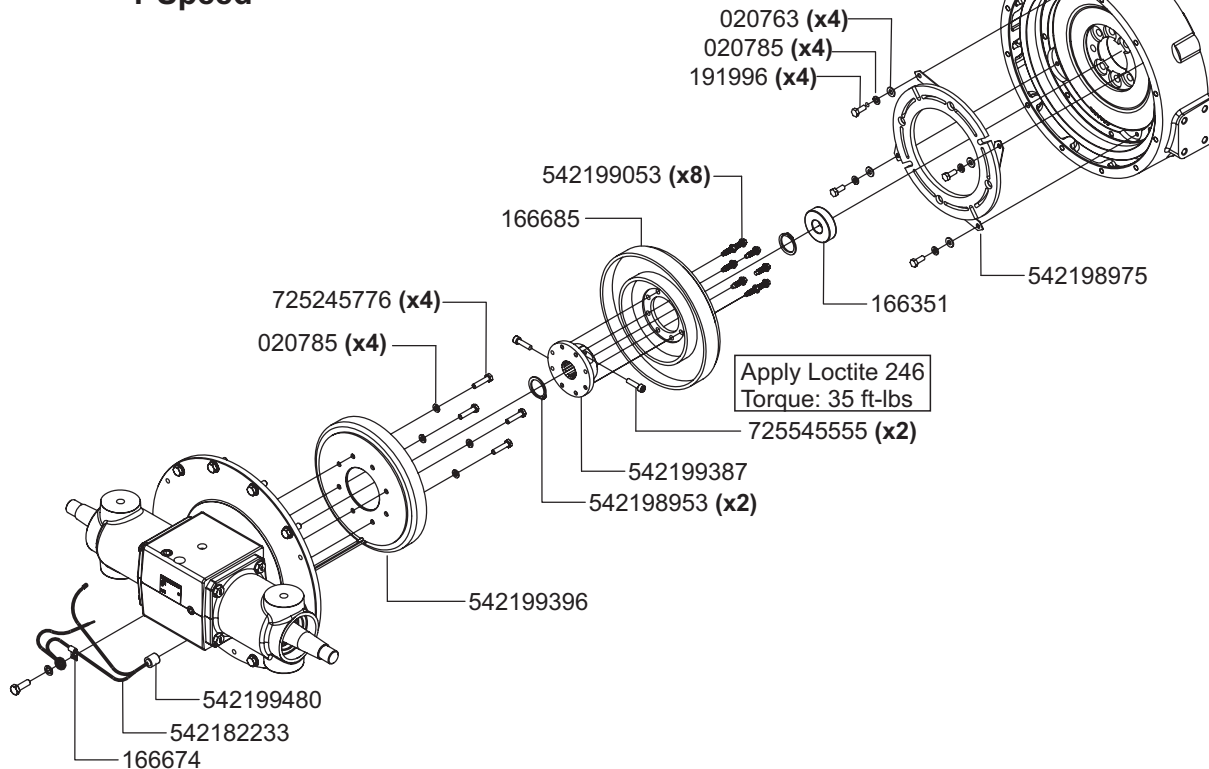
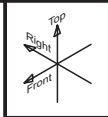
**** 1-Speed ****



NOTE: Drain water when Temperature below 32°F (0°C).

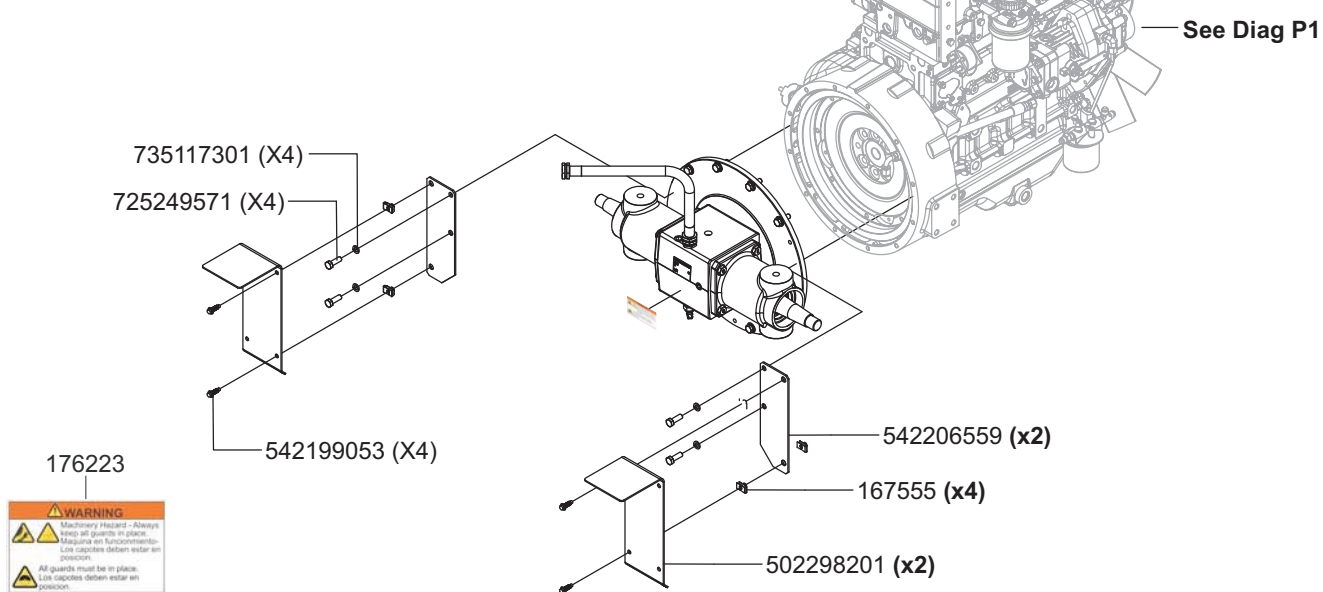
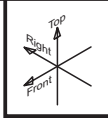
P2 Engine Gearbox-Clutch

**** 1-Speed ****



P3 Gearbox & Belt Guard

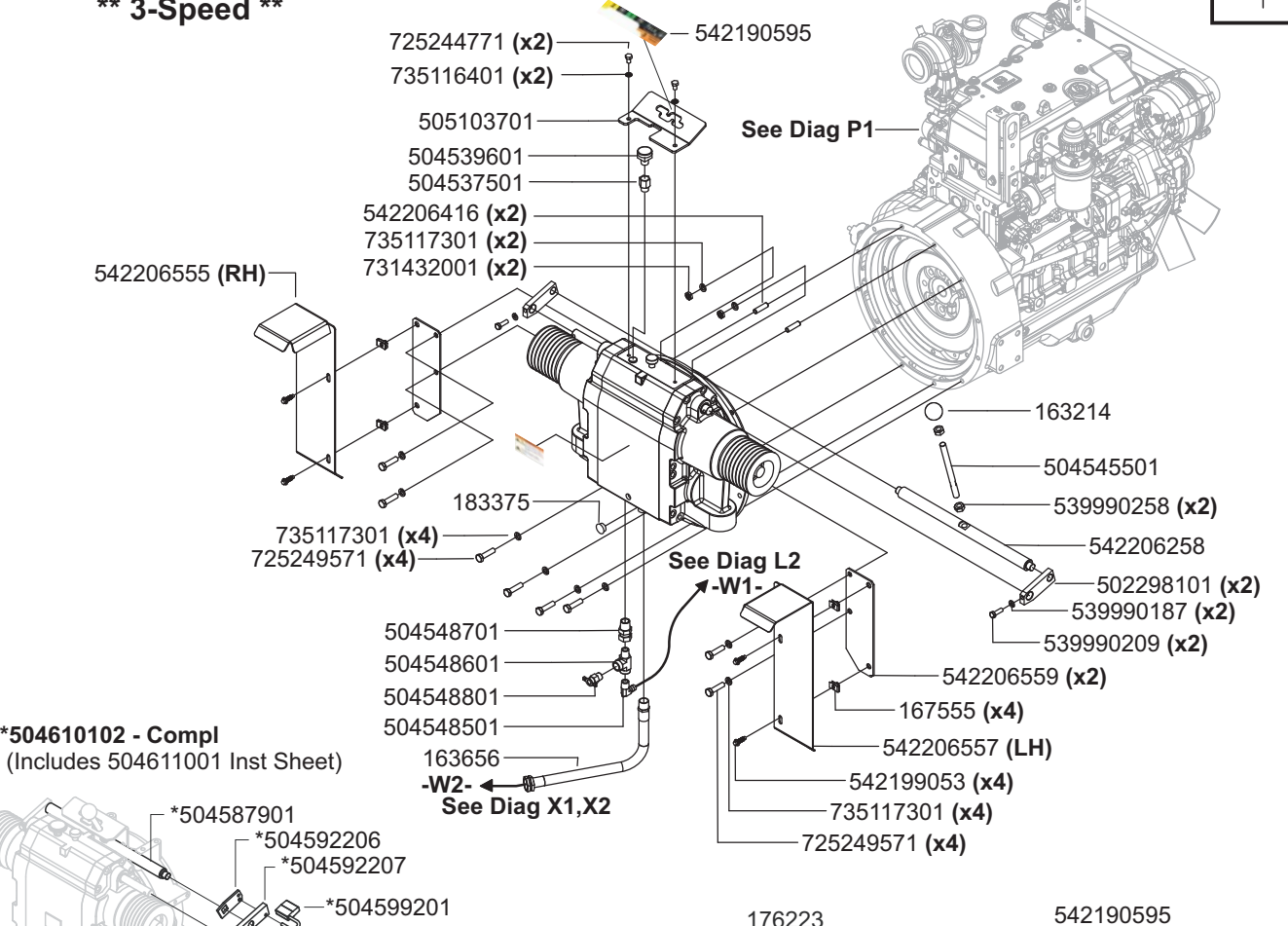
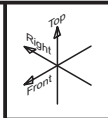
**** 1-Speed ****



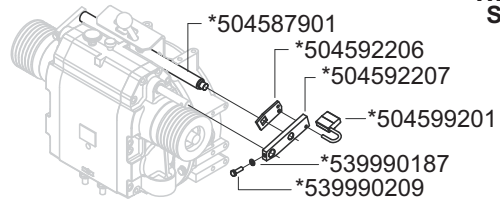
WARNING
 Machinery Hazard - Always keep all guards in place. *Máquina en funcionamiento. Los captores deben estar en posición.*
 All guards must be in place. *Los captores deben estar en posición.*

P4 Gearbox & Belt Guard

**** 3-Speed ****



***504610102 - Compl**
 (Includes 504611001 Inst Sheet)

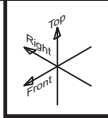


NOTE: Drain water when Temperature below 32°F (0°C).

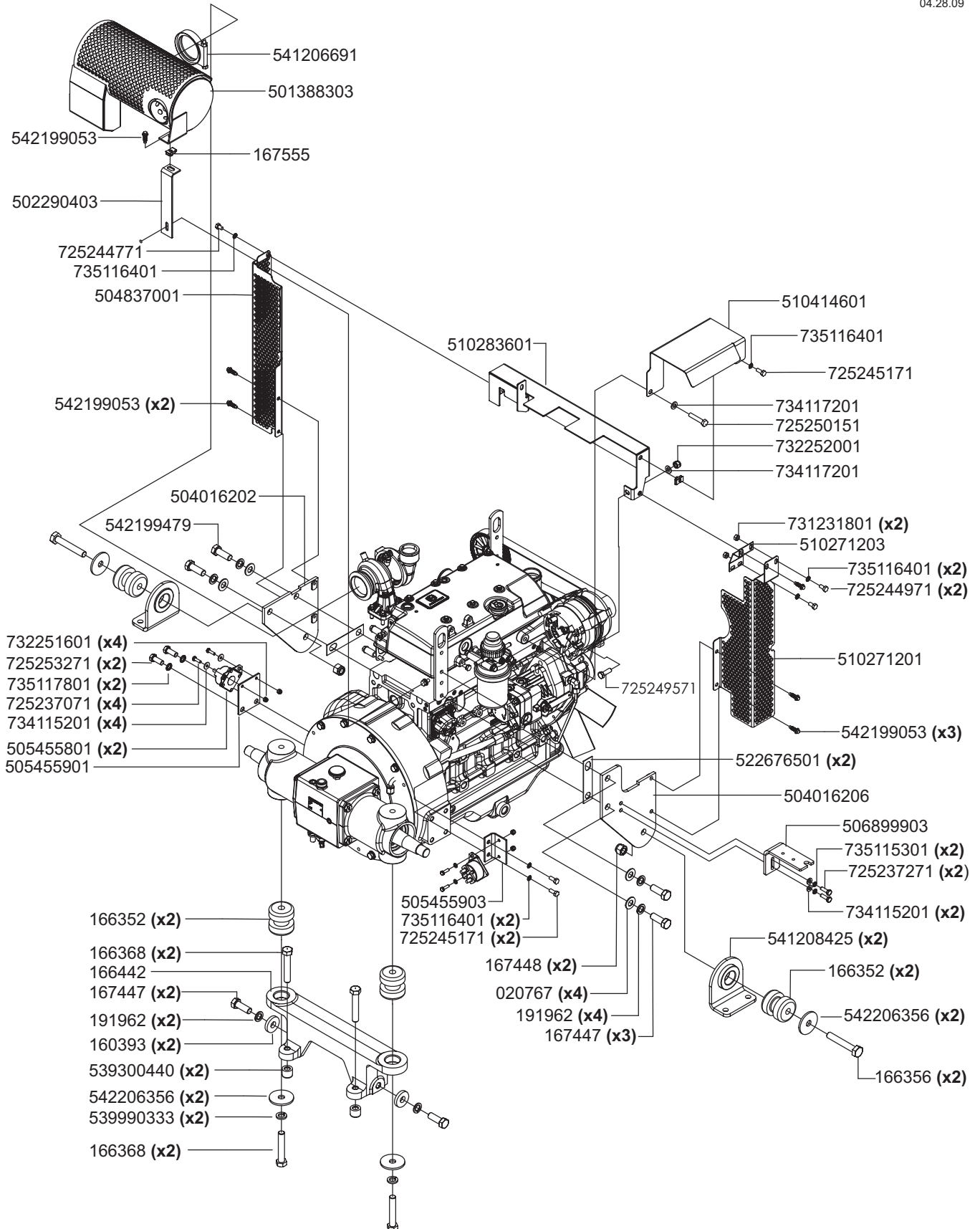
WARNING
 Machinery Hazard - Always keep all guards in place. *Máquina en funcionamiento. Los captores deben estar en posición.*
 All guards must be in place. *Los captores deben estar en posición.*



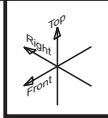
Q1 Engine Mounting, Guards & Muffler



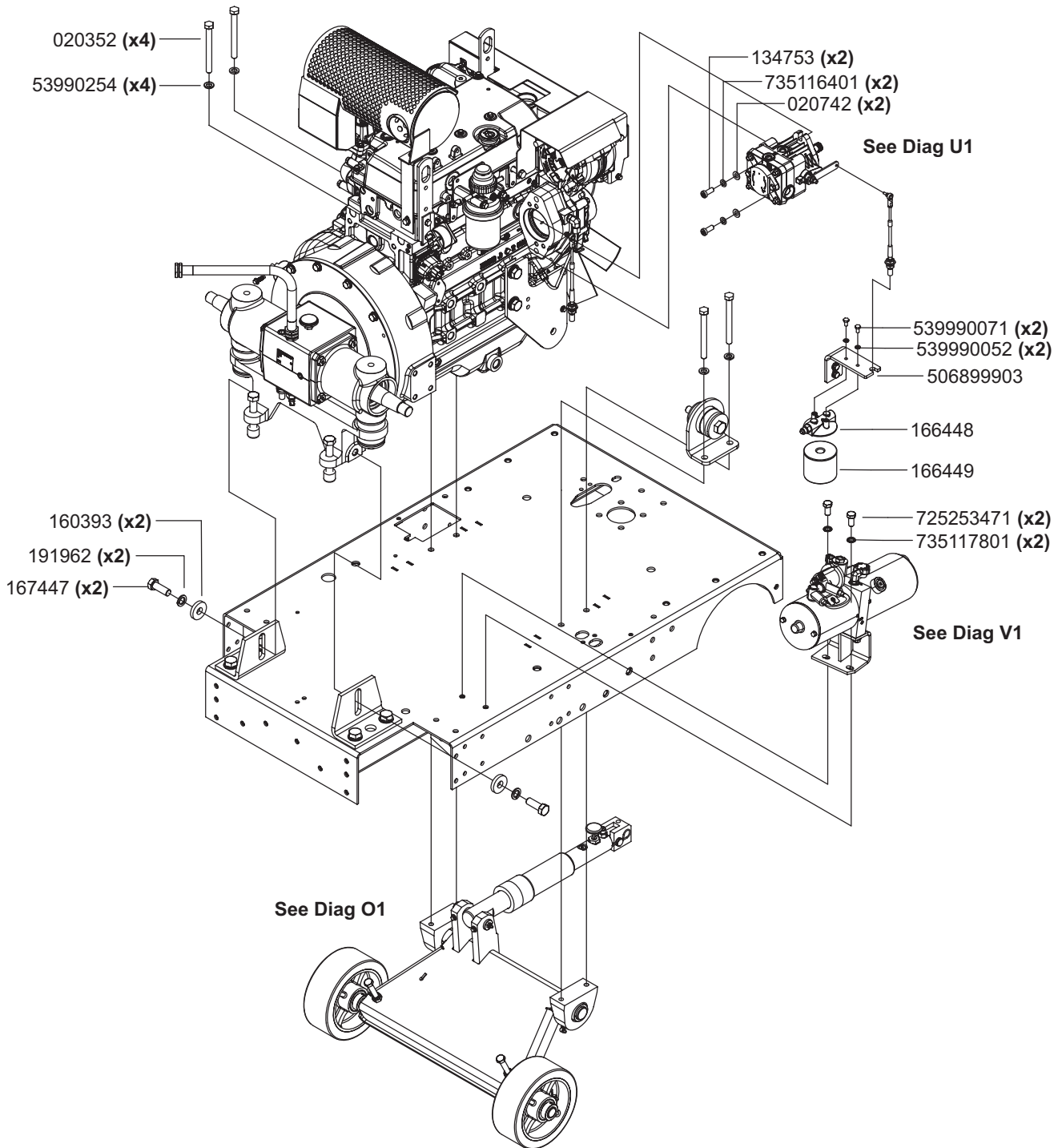
04.28.09



Q2 Engine Mounting

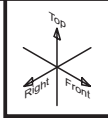


04.28.09

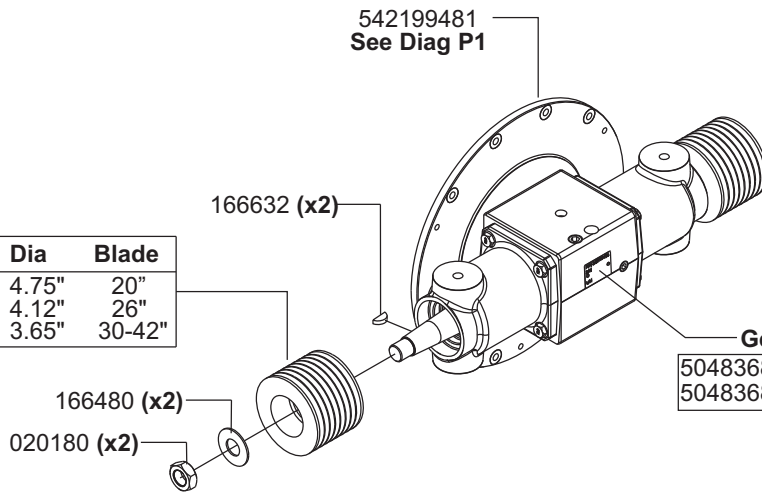


R1 Gearbox - Blade Shaft

****1-Speed****

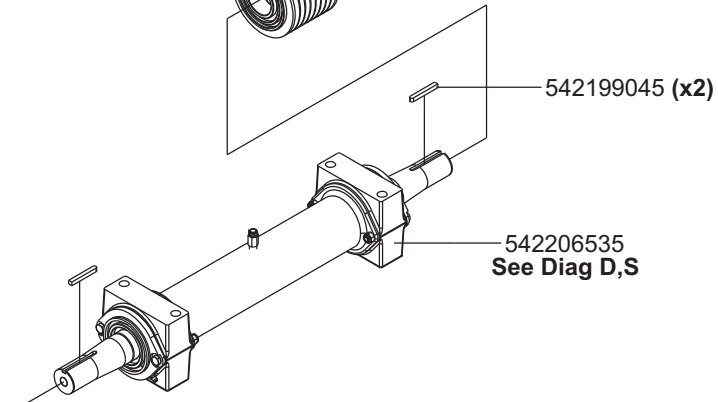
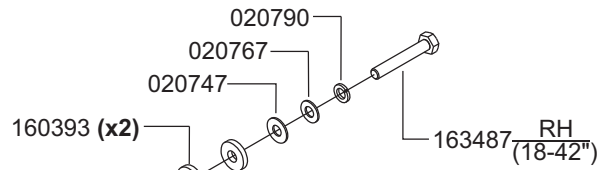
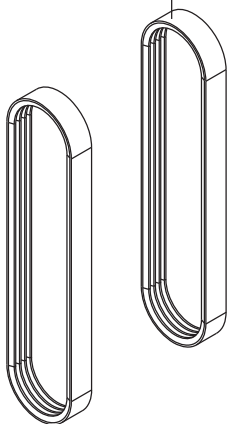


Pulley No	Dia	Blade
166365 (x2)	4.75"	20"
191895 (x2)	4.12"	26"
166366 (x2)	3.65"	30-42"



Gearbox Serial Number
 504836801 (x1) Seal, Input Shaft
 504836802 (x2) Seal, Output Shaft

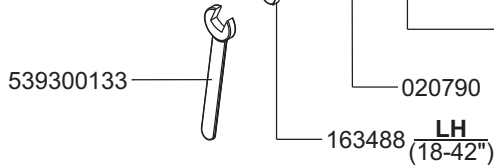
4-Band 3VX	Size	Blade
166629 (x4)	465	20-26 & 36"
166362 (x4)	450	30"
505283201 (x4)	475	42"



Pulley No	Dia	Blade
542198866 (x2)	4.12"	20"
542198858 (x2)	4.75"	26-30"
542198865 (x2)	5.60"	36"
542199160 (x2)	6.40"	42"

Inner Flange	Dia	Blade
541206888	5"	20-30"
542198864	6"	36"
542199317	7"	42"

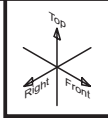
Outer Flange w/ Dowel Pin	Dia	Blade	Dowel Pin	Dia x Lg
166307	5"	20-30"	505531901	.375 x 1.50"
163272	6"	36"	505531901	.375 x 1.50"
542199378	7"	42"	505531901	.375 x 1.50"



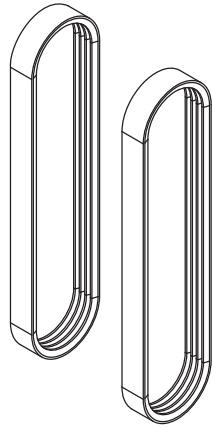
541207100 - Kit, Sheave Puller (Optional)

R2 Gearbox - Blade Shaft - T3A

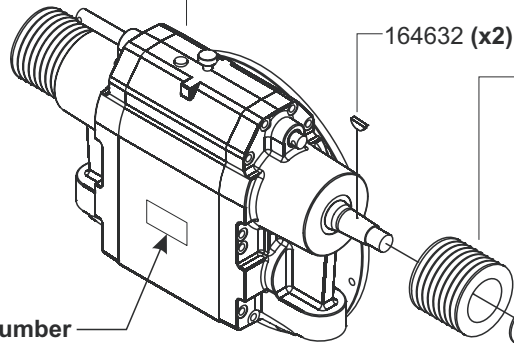
**** 3-Speed ****



10.20.09



542199836
See Diag P1 & P4



Engine Pulley No	Pulley Dia	Flange Dia
166365 (x2)	4.75"	4.5"
191895 (x2)	4.12"	5.0"-7.0"

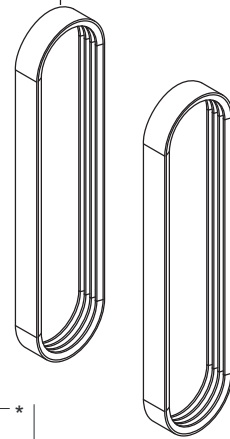
4-Band V-Belt	3VX	Size	Flange Dia
541200847	(x4)	560	4.5"
504119704	(x4)	545	5.0"
541200847	(x4)	560	6.0"
504119706	(x4)	570	7.0"

Gearbox Serial Number

- 504836801 (x1) Seal, Input Shaft
- 504836802 (x2) Seal, Output Shaft

166480 (x2)

020180 (x2)



542199045 (x2)

542206535
See Diag D & S

163245 (x2)

539990333

163488 LH

*74380801

*Proximity Switch Kit:
574744202

539300133

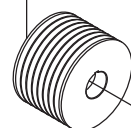
740380801-
725236671-

Kits Include:

- *Proximity Switch w/Connector,
- *542201113 Instruction Sheet &
- *542206478 Alignment Tool

Inner Flange	Dia
542206202 (x2)	4.5"
541206888 (x2)	5.0"
542198864 (x2)	6.0"
542199317 (x2)	7.0"

Outer Flange w/ Dowel Pin	Dia	Dowel Pin	Dia x Lg
163172	4.5"	505531901	.375 x 1.50"
166307	5.0"	505531901	.375 x 1.50"
163272	6.0"	539300010	.375 x 1.75"
542199378	7.0"	539300010	.375 x 1.50"



160393 (x2)

539102653

539976982

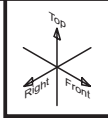
539990333

163487 RH

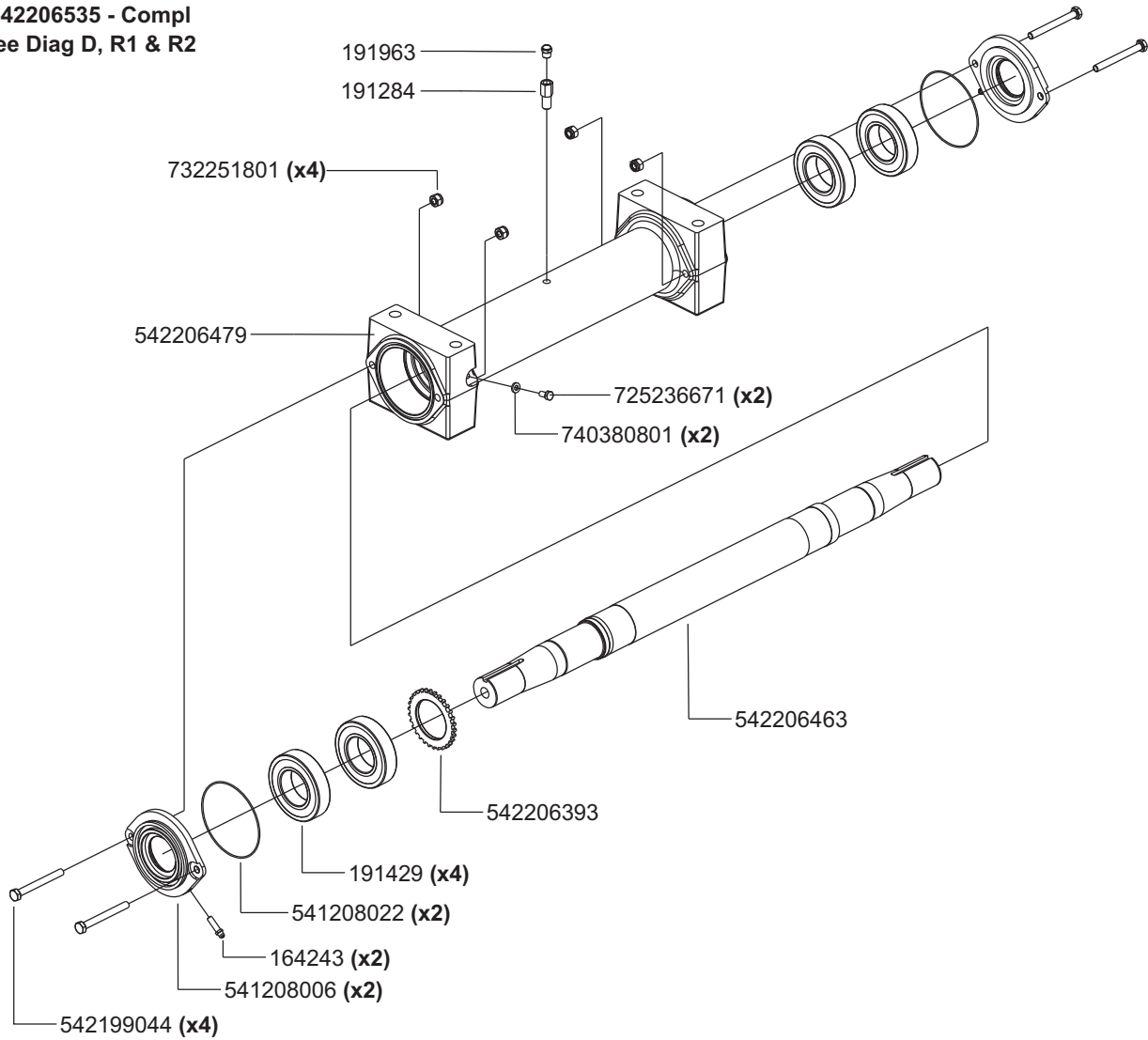
Bladeshaft Pulley No	Pulley Dia	Flange Dia
542198866 (x2)	4.12"	4.5-5.0"
542198858 (x2)	4.75"	6.0"
542198865 (x2)	5.60"	7.0"

541207100 Kit, Sheave Puller
(Optional)

S Blade Shaft - Compl



542206535 - Compl
See Diag D, R1 & R2



Blade Shaft Assemblies - Compl with: Pulleys, Flanges & Mounting Fasteners

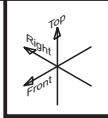
FS6600D 1-Speed

Assy No	Blade	Pulley (x2)	Dia	Inner Flange	Outer Flange	Dia
542199466	14/20"	542198866	4.12"	541206888	166307	5.0"
542199467	26/30"	542198858	4.75"	541206888	166307	5.0"
542199469	36"	542198865	5.60"	542198864	163272	6.0"
542199470	42"	542199160	6.40"	542199317	542199378	7.0"

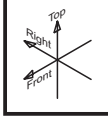
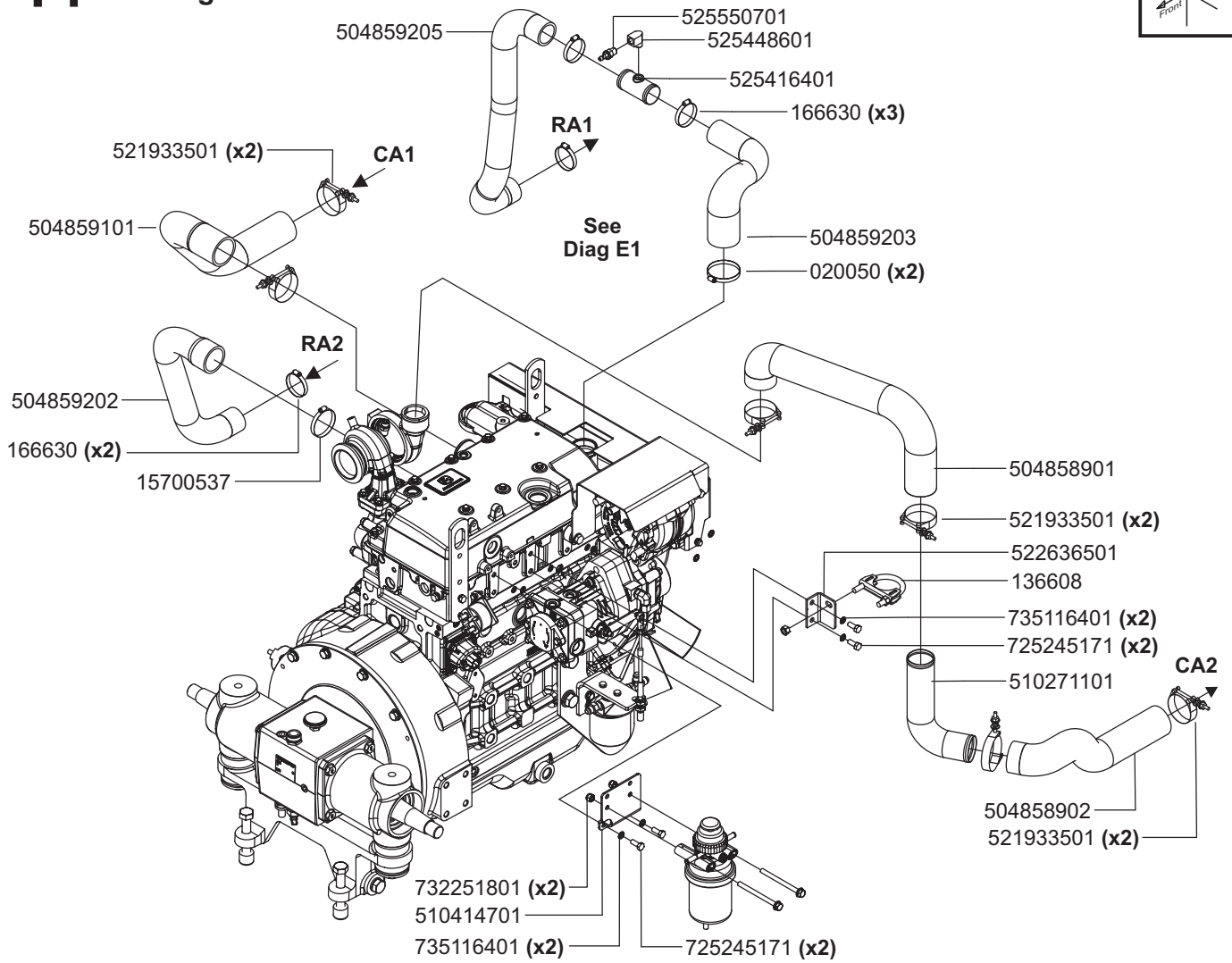
Blade Shaft Assemblies - Compl with: Pulleys, Flanges & Mounting Fasteners

FS6600D 3-Speed

Assy No	Blade	Pulley (x2)	Dia	Inner Flange	Outer Flange	Dia
504827002	14/26"	542198866	4.12"	542206202	163172	4.5"
504827001	18/30"	542198866	4.12"	541206888	166307	5.0"
504827003	20/36"	542198858	4.75"	542198864	163272	6.0"
504827004	26/42"	542198865	5.60"	542199317	542199378	7.0"

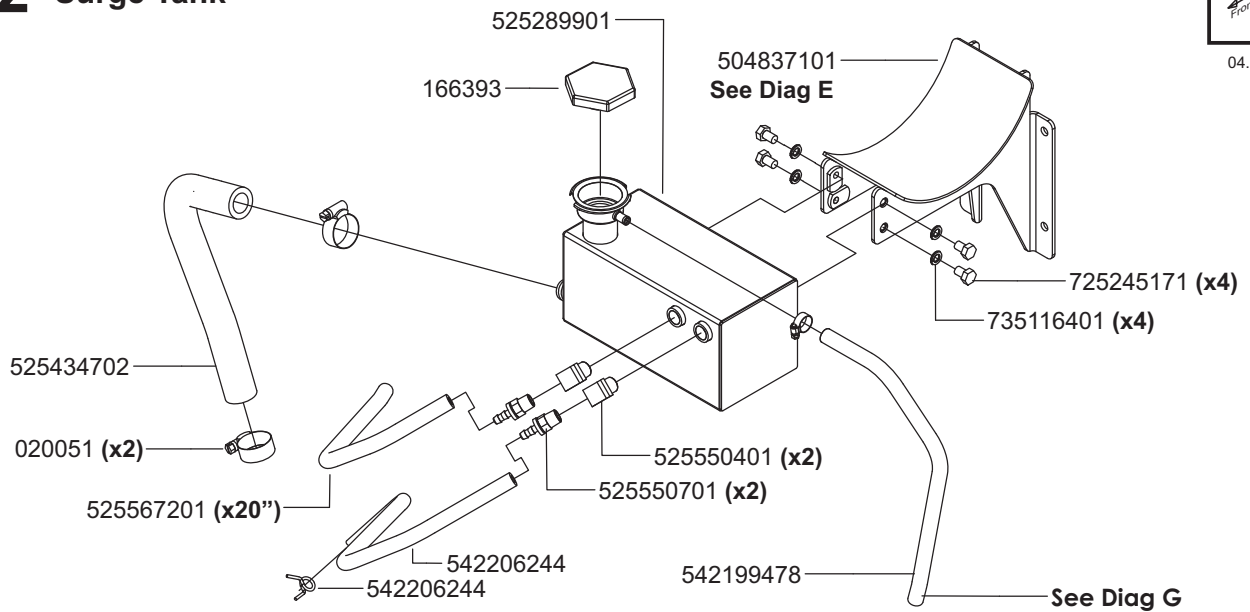


T1 Cooling



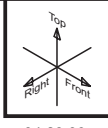
T2 Surge Tank

04.28.09

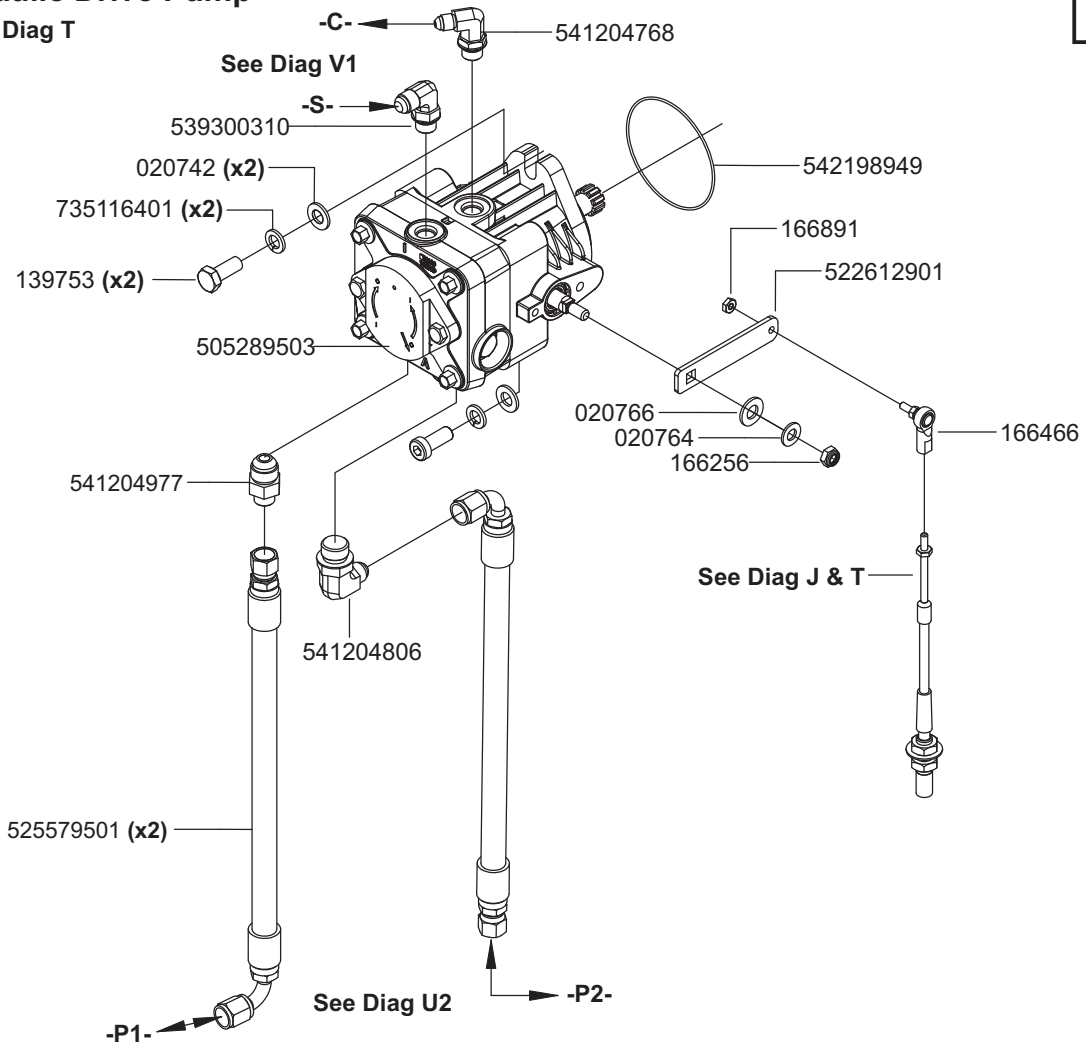


U1 Hydraulic Drive Pump

See Diag T



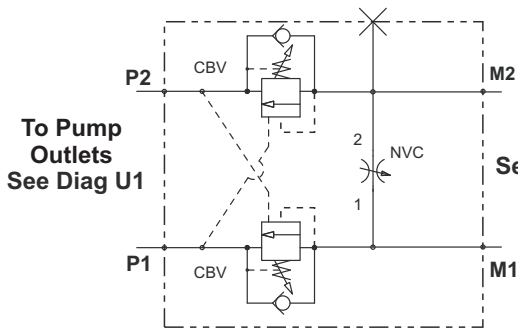
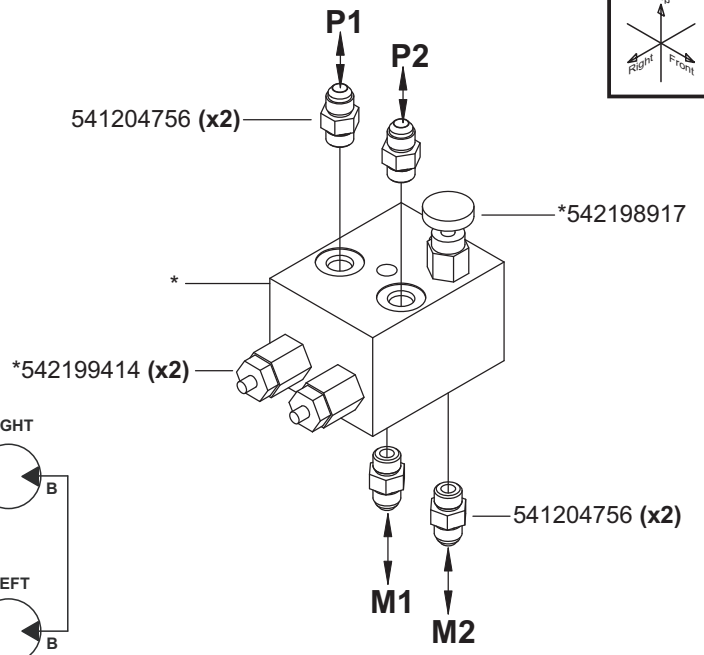
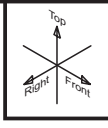
04.28.09



U2 Bypass Valve Manifold

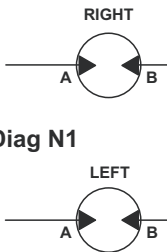
See Diag B

*542198915 Valve - Compl

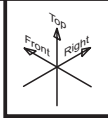


HYDRAULIC SCHEMATIC
(See Operators Manual)

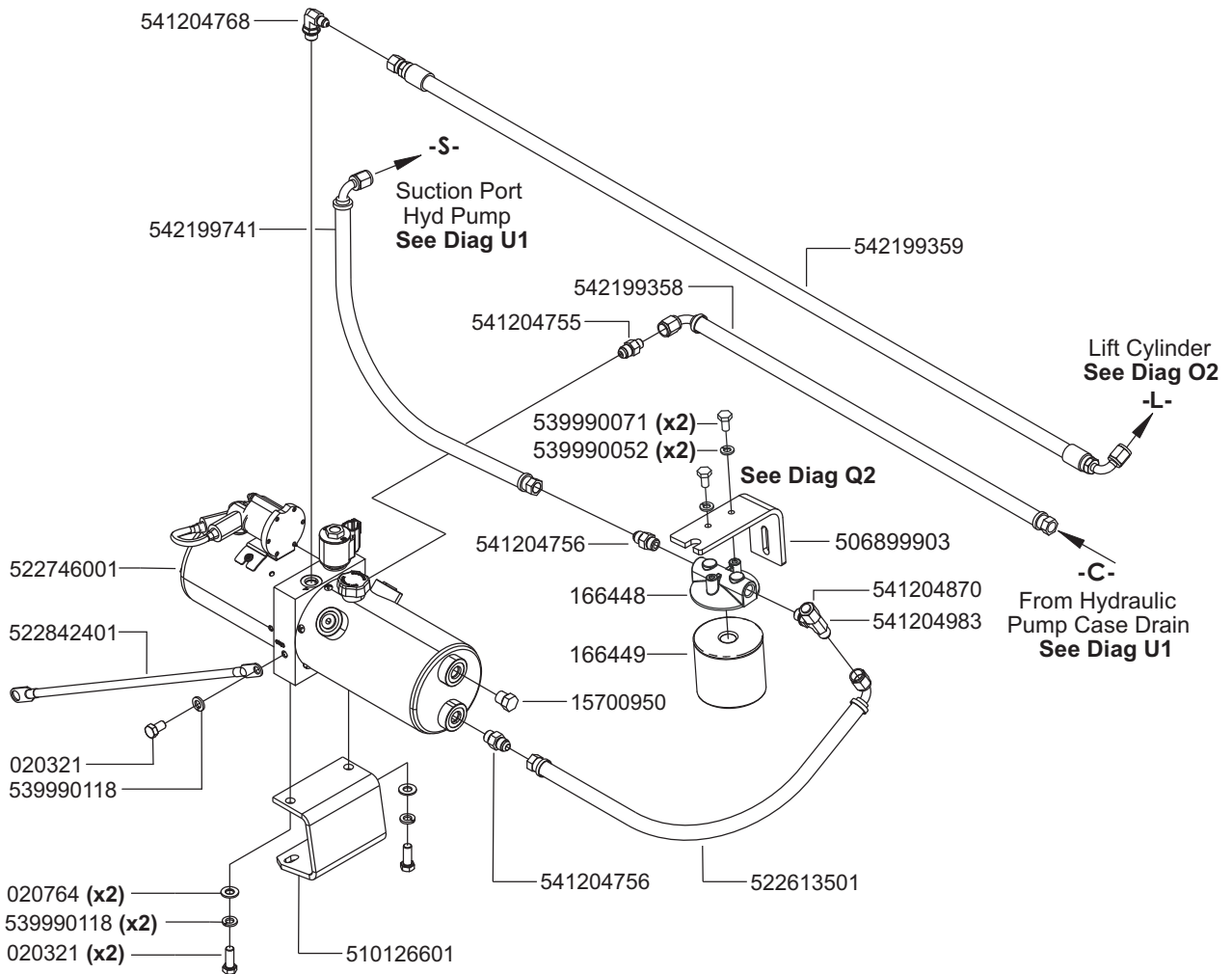
See Diag N1



V1 Lift Pump & Filter



04.28.09



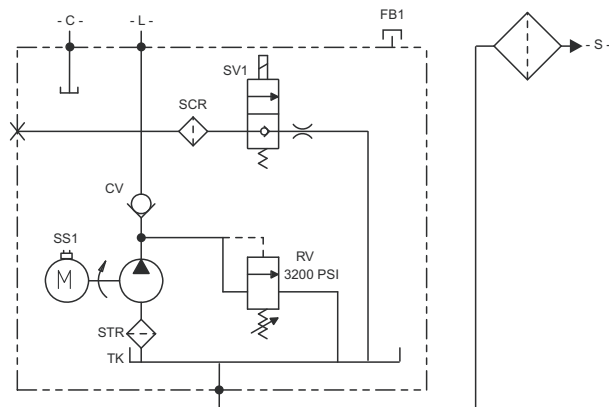
V2 Lift Pump (Not Shown)

10.20.09

522746001 - Compl

Lift Pump Service Parts

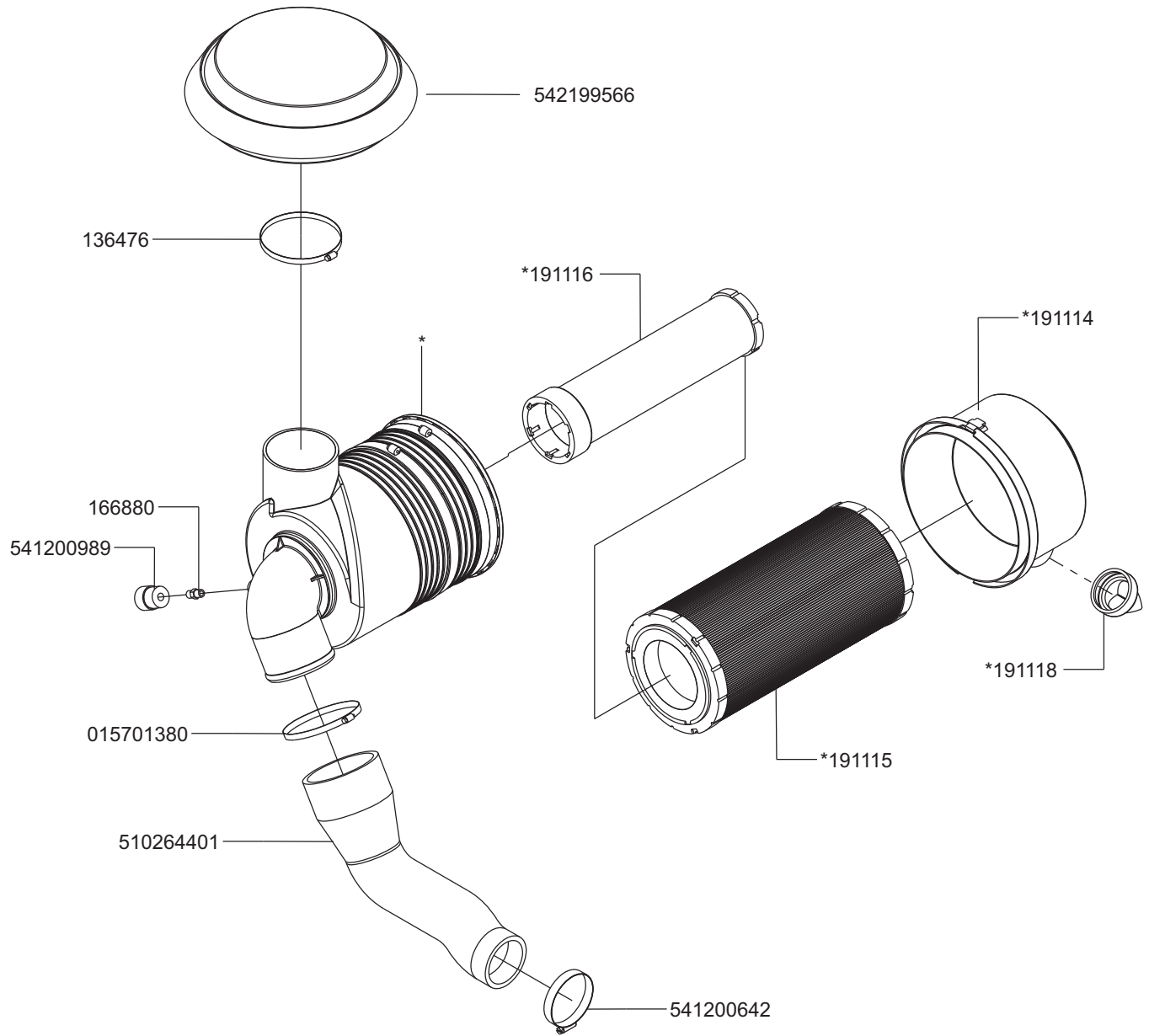
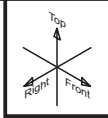
- STR - 522849106 Strainer, Pump
- SV1 - 542180020 Valve, Cartridge
- " - 522849110 Coil - 12 VDC
- SS1 - 522849115 Starter Switch - 12 VDC
- FB1 - 522849119 Cap, Filler-Breather
- TK1 - 522849111 Reservoir, Oil
- RV1 - 522849120 Valve, Pressure Relief
- CV1 - 522849121 Valve, Check
- M - 522849122 Brushes, Motor

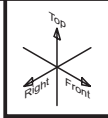


HYDRAULIC SCHEMATIC

W Air Filter

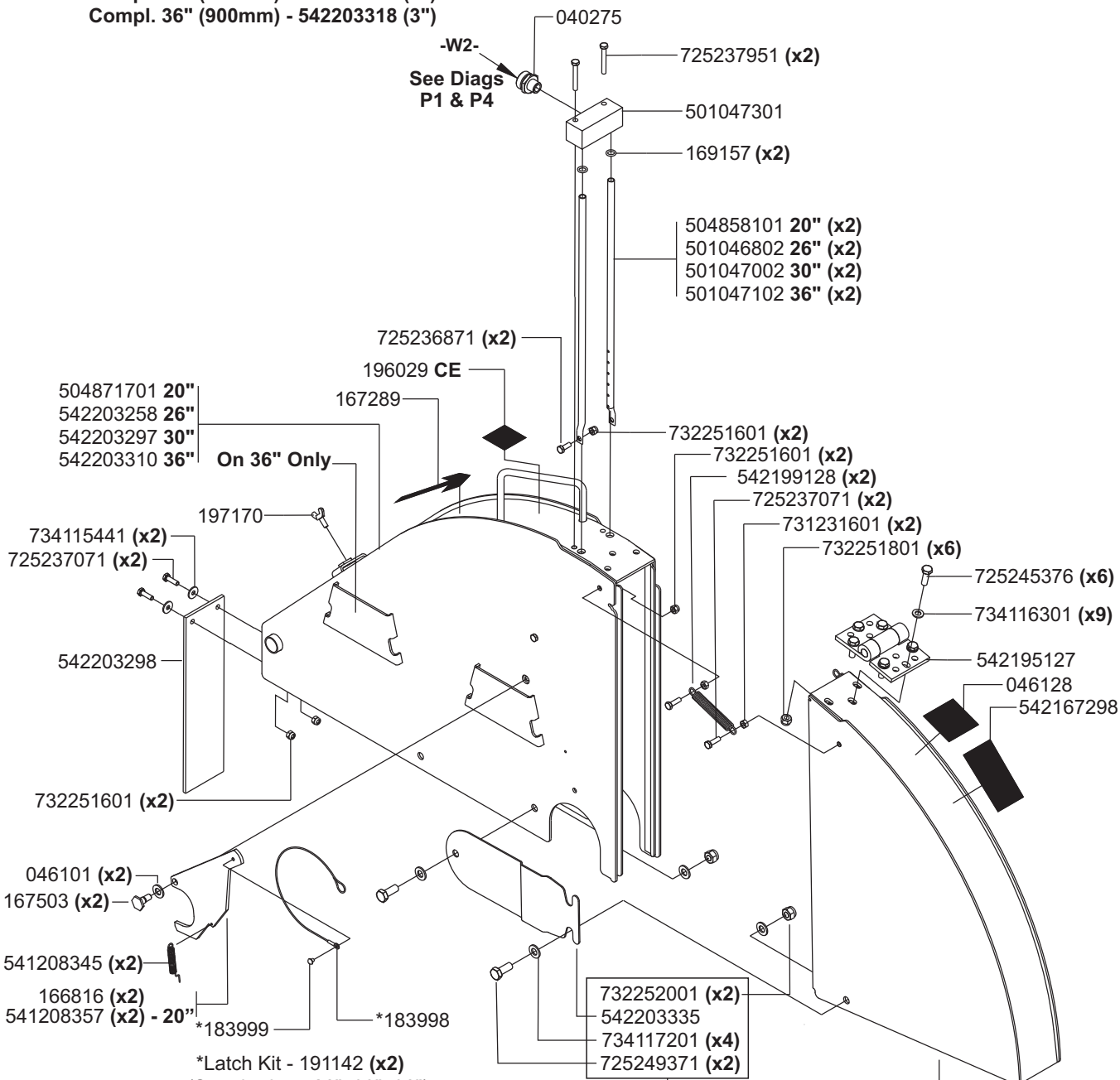
*191082 - Compl





X1 Blade Guard Assy - Slip-On

- Compl. 20" (500mm) - 504857701 (3")
- Compl. 26" (600mm) - 542203266 (3")
- Compl. 30" (800mm) - 542203305 (3")
- Compl. 36" (900mm) - 542203318 (3")



*Latch Kit - 191142 (x2)
(Standard on: 26", 30", 36")

For 26-36"
Not Included w/ Compl
Blade Guard Assys

For 18-20"
Not Included w/ Compl
Blade Guard Assys

542167298

WARNING

DO NOT use a larger size blade guard without changing to the correct belt drive flange to comply with the safety standard in injury or death.

NE PAS utiliser une protection de disque de plus grande taille sans changer en même temps la courroie d'entraînement. Toute négligence à cet égard pourrait causer des blessures graves, voire mortelles.

NE VERANDEREN NIET het versnellingswiel met de afdekplaat. Het is noodzakelijk om de juiste riem te gebruiken. Het gebruik van een verkeerde riem kan ernstige lichamelijke verwondingen of de dood veroorzaken.

NE VÄRÄNDRA INTE skivskyddet utan att samtidigt byta ut bältdrivningen. Felaktig skivskydd eller bältdrivning kan orsaka allvariga skador eller dödsfall.

NOW use an ripper of disc of different model if replacement of disc with larger diameter.

AVVÄRNT INTE en skivskydd som är större utan att byta ut bältdrivningen. Felaktiga skivskydd eller bältdrivning kan orsaka allvariga skador eller dödsfall.

046128

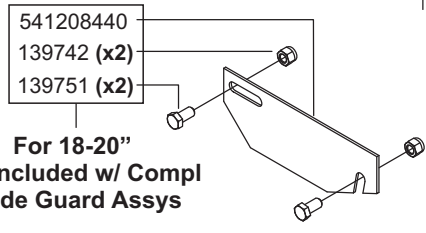
WARNING

DO NOT CHANGE TO A LARGER BLADE GUARD SIZE WITHOUT CHANGING TO PROPER BELT DRIVE, ENGINE SPEED AND BLADE FLANGES. FAILURE TO COMPLY COULD RESULT IN DEATH OR SERIOUS BODILY INJURY. SEE OPERATOR'S MANUAL FOR INSTRUCTIONS. IF YOU DO NOT HAVE AN OPERATOR'S MANUAL, CALL TOLL FREE 1-800-288-5040

196029

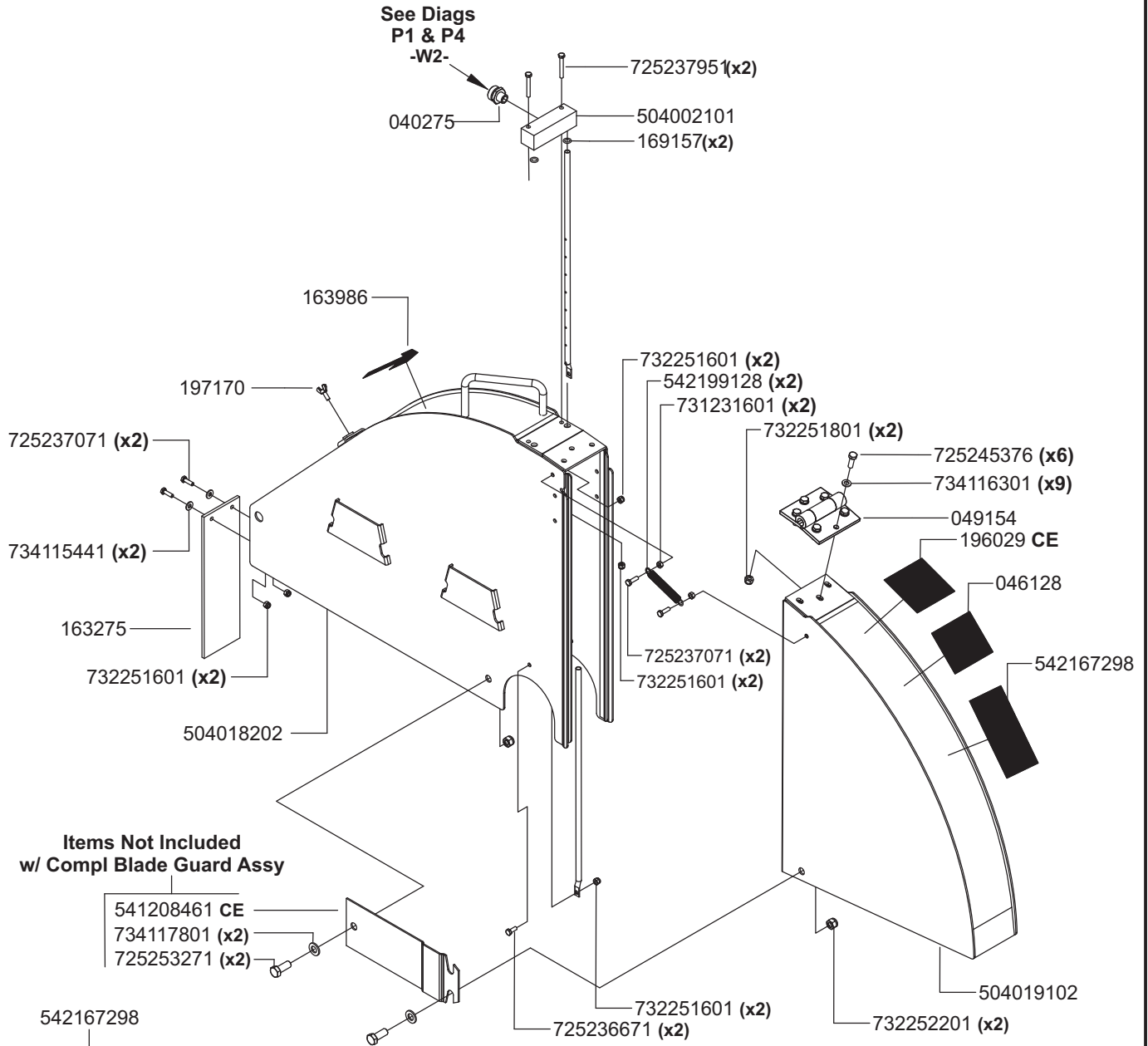
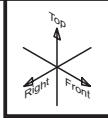
LWA

119 dB



X2 Blade Guard Assy - 42" Slip-On

504019401 42" (1000mm) Compl



Items Not Included w/ Compl Blade Guard Assy

- 541208461 CE
- 734117801 (x2)
- 725253271 (x2)

542167298

WARNING

DO NOT use a larger size blade guard without changing to the correct belt drive! Failure to comply could result in injury or death!

!NO use un protector de hoja de mayor tamaño sin cambiar el mando de correa correcto!
!De no cumplirse esto se pueden producir lesiones graves o mortales!

NE PAS utiliser une protection de disque de plus grande taille sans changer en même temps le courroie d'entraînement ! Toute négligence a cet égard pourrait causer des blessures graves, voire mortelles !

Bei Verwendung einer größeren Stigblattabdeckung MUSS der entsprechende Antrieb installiert werden! Andernfalls besteht Verletzungs- oder Lebensgefahr!

Gebruik GEEN grotere bladafdekking zonder de aandrijving aan te passen! Indien dit niet wordt nageliefd, zou dit tot een letsel of de dood kunnen leiden!

NON usare un riparo del disco di dimensioni più grandi senza cambiare anche la trasmissione del disco nella misura corretta! L'incossistenza di questa istruzione può causare infortuni o la morte!

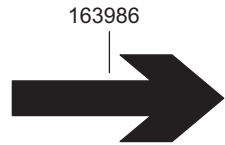
ANVÄND INTE ett bladskydd som är större utan att byta till rätt drivrem! Försammalet att följa dessa regler kan leda till skada eller död!

WARNING

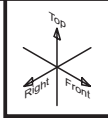
DO NOT CHANGE TO A LARGER BLADE GUARD SIZE WITHOUT CHANGING TO PROPER BELT DRIVE, ENGINE SPEED AND BLADE FLANGES. FAILURE TO COMPLY COULD RESULT IN DEATH OR SERIOUS BODILY INJURY. SEE OPERATOR'S MANUAL FOR INSTRUCTIONS. IF YOU DO NOT HAVE AN OPERATOR'S MANUAL, CALL TOLL FREE 1-800-288-5040

119 dB

L_{WA}



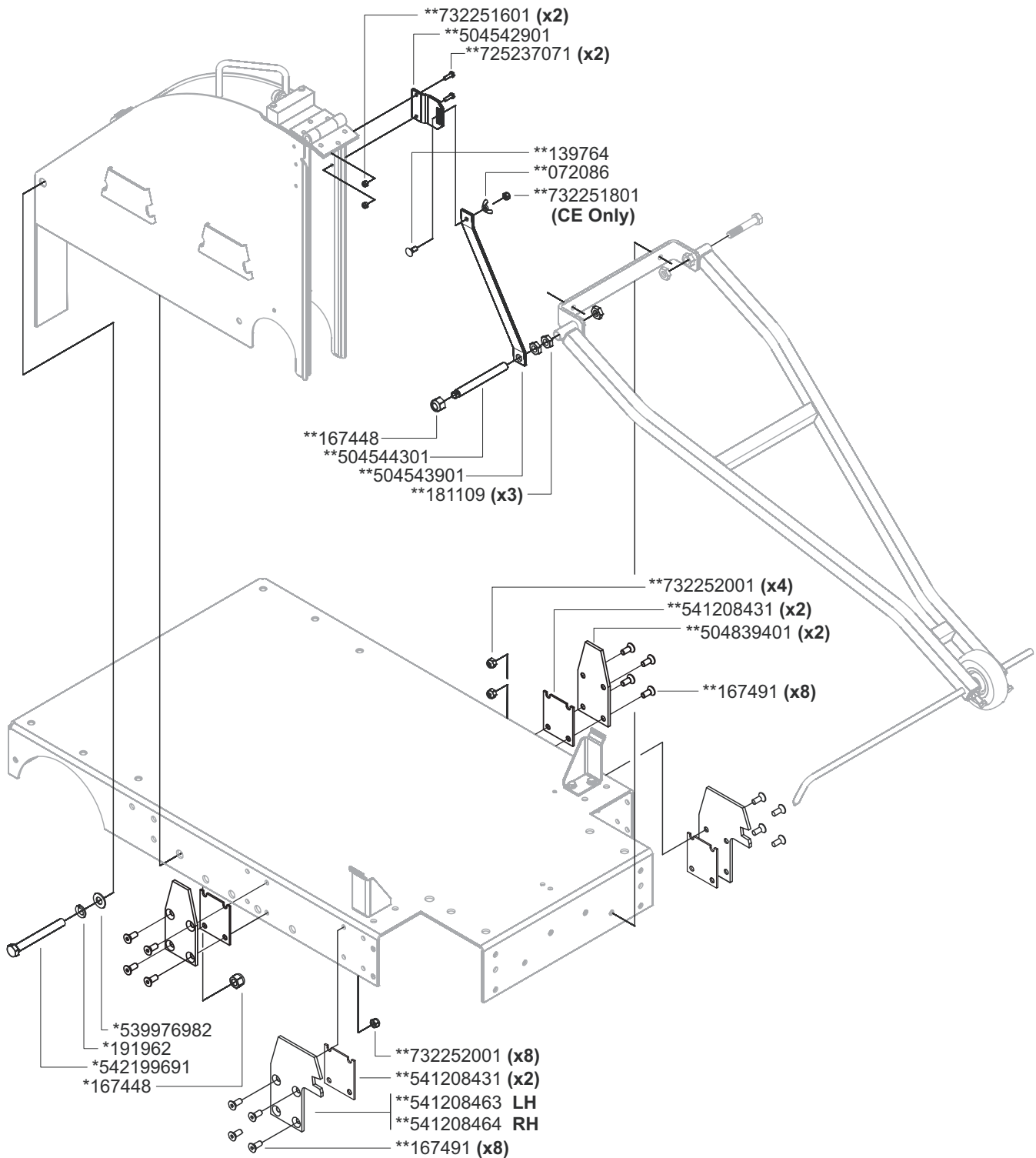
X3 Blade Guard Attachment - 42" (1000mm)



*504558301 Kit, 42" Blade Guard - Compl

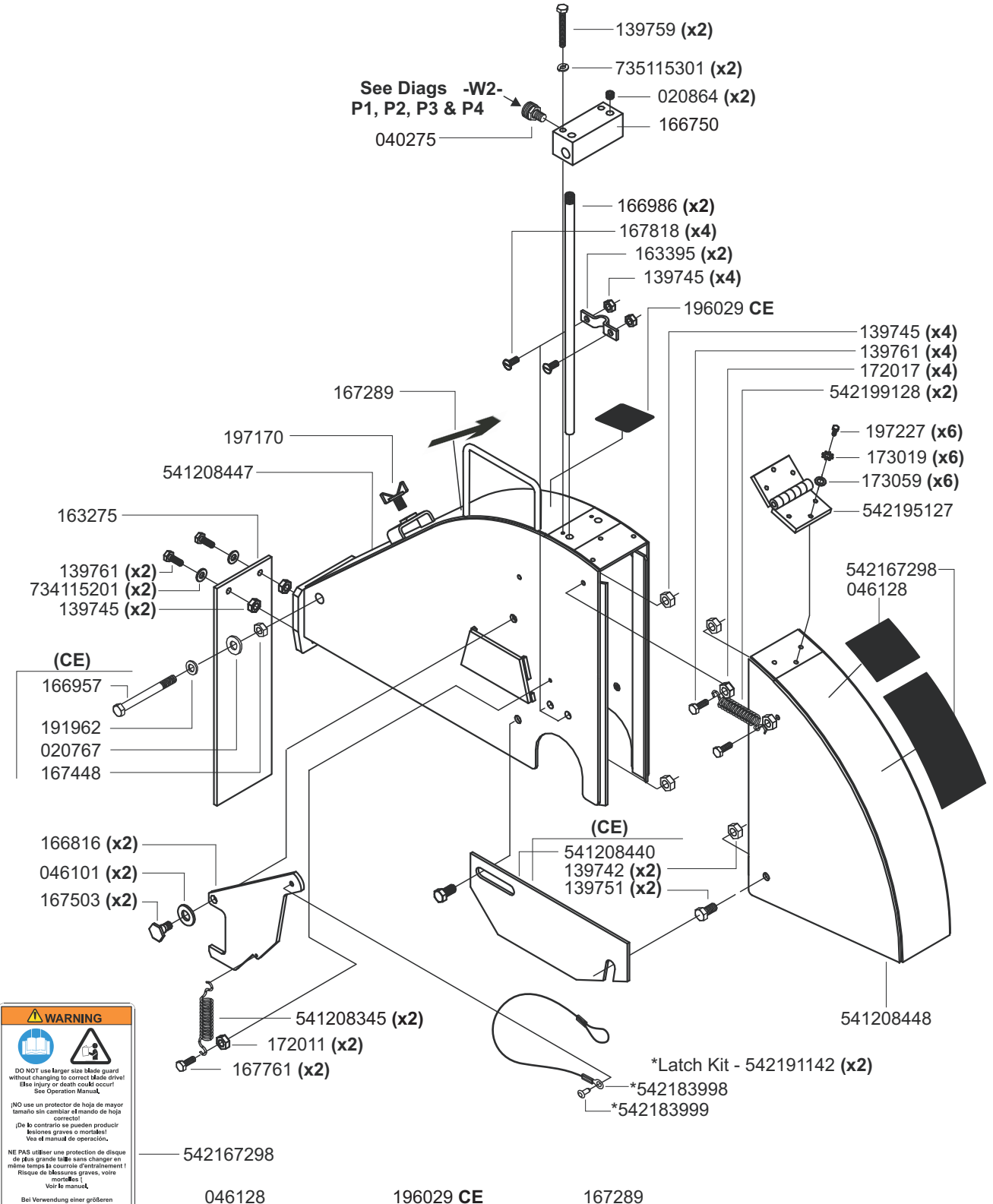
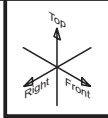
Includes: 504019401, **504558401 &
Flange Cover w/ Hardware - See Diag X2

**504558401 Kit, Attachment



X4 Blade Guard - 18" (450mm)

Compl. 18" (450mm) - 198778 3" Wide



WARNING

DO NOT use larger size blade guard without changing to correct blade drive! Else injury or death could occur! See Operator's Manual.

NO use an protector de hoja de mayor tamaño sin cambiar el mando de hoja correcto!

(De lo contrario se pueden producir lesiones graves o mortales! Ver el manual de operación.)

NE PAS utiliser une protection de disque de plus grande taille sans changer en même temps la courroie d'entraînement! Risque de blessures graves, voire mortelles!

Voir le manuel.

Bei Verwendung einer größeren Sägeblattabdeckung MUSS der entsprechende Antrieb installiert werden! Andernfalls besteht Verletzungs- oder Lebensgefahr! Siehe Betriebsanleitung.

Gebruik GEEN grotere bladafdekking zonder de aandrijving aan te passen! Indien dit niet gebeurt, zou dit tot een letsel of de dood kunnen leiden! Zie bedieningshandleiding.

NON usare un riparo del disco di dimensioni più grandi senza cambiare anche la trasmissione del disco nella misura corretta!

In caso contrario, si possono verificare infortuni o morte!

Vedere il Manuale d'uso.

ANVÄND INTE ett bladskydd som är större utan att byta till rätt bladdriv! Det kan orsaka personskada eller död! Se bruksanvisningen.

WARNING

DO NOT CHANGE TO A LARGER BLADE GUARD SIZE WITHOUT CHANGING TO PROPER BELT DRIVE, ENGINE SPEED AND BLADE FLANGES. FAILURE TO COMPLY COULD RESULT IN DEATH OR SERIOUS BODILY INJURY. SEE OPERATOR'S MANUAL FOR INSTRUCTIONS. IF YOU DO NOT HAVE AN OPERATOR'S MANUAL, CALL TOLL FREE 1-800-288-5040

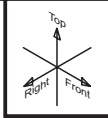




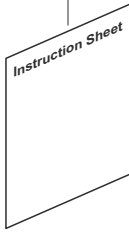
Water Pump Kit

542199626 - Kit, Compl

*542199637 Compl



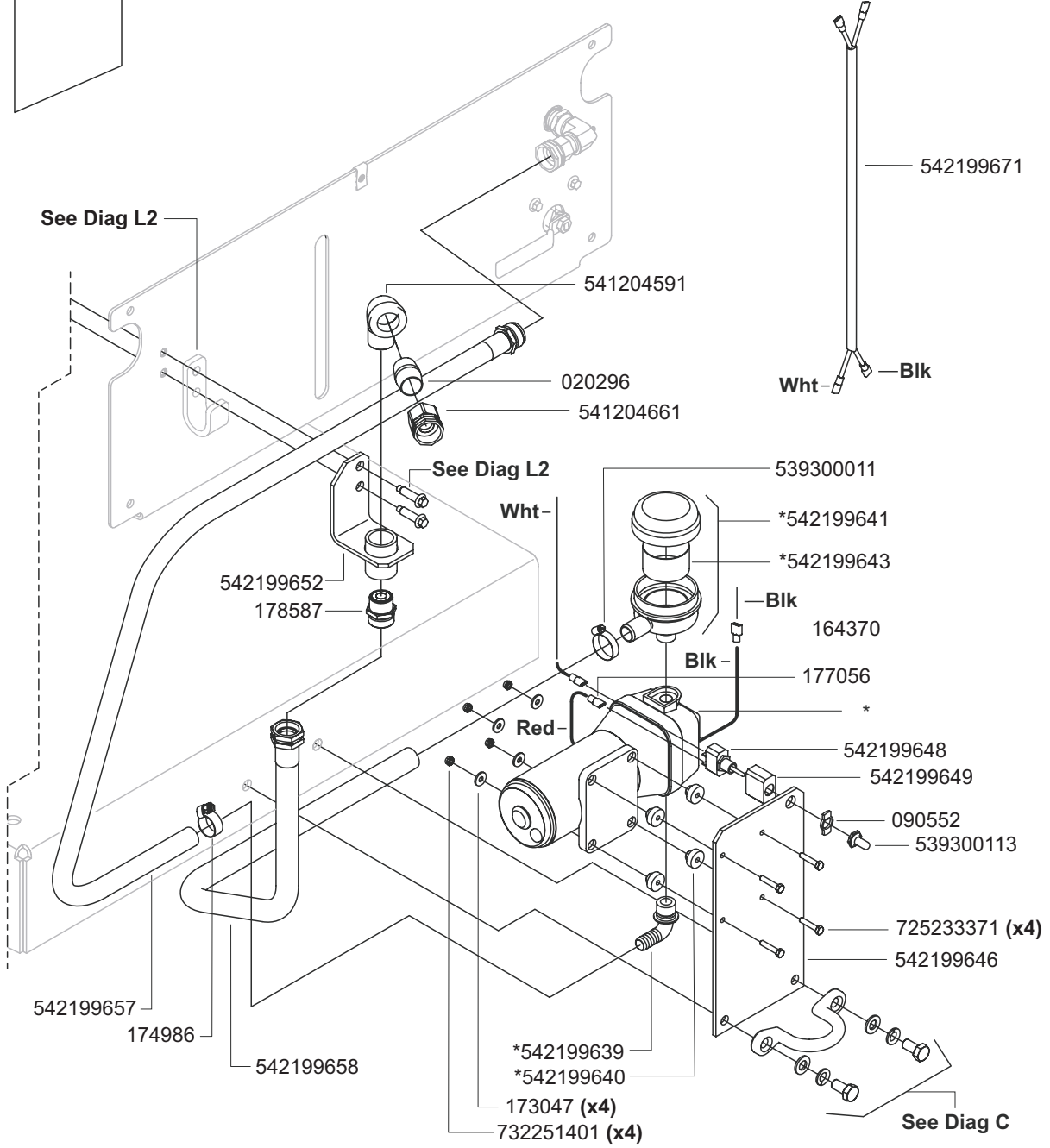
542201048

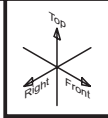


See Diags F1 & F2
Main Wiring Diagram
in Operator's Manual

166855

Connects To
Cowl Wiring Harness
See Cowl Wiring Diagram
in Operator's Manual

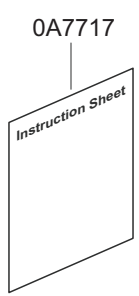
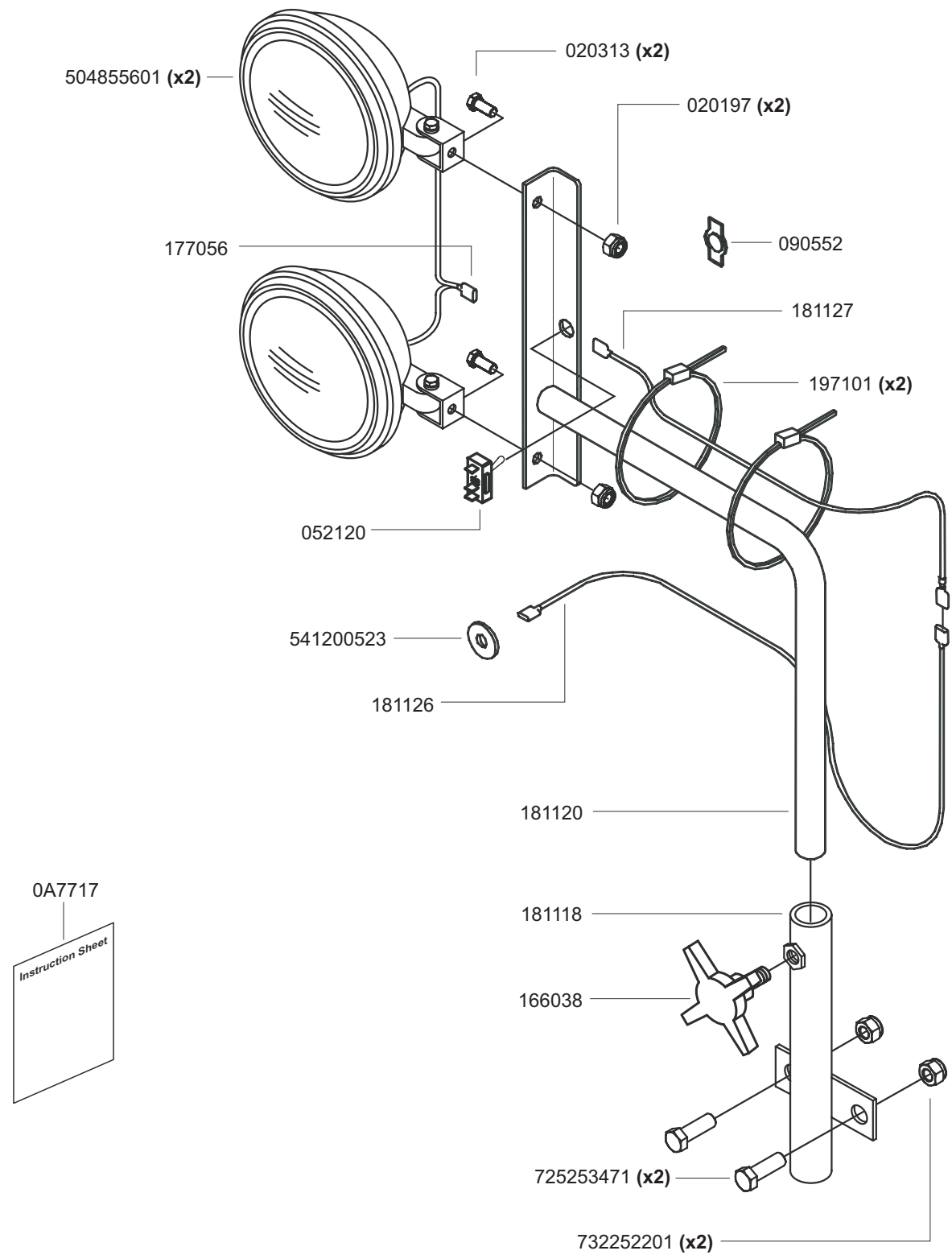




Z Dual Light Kit

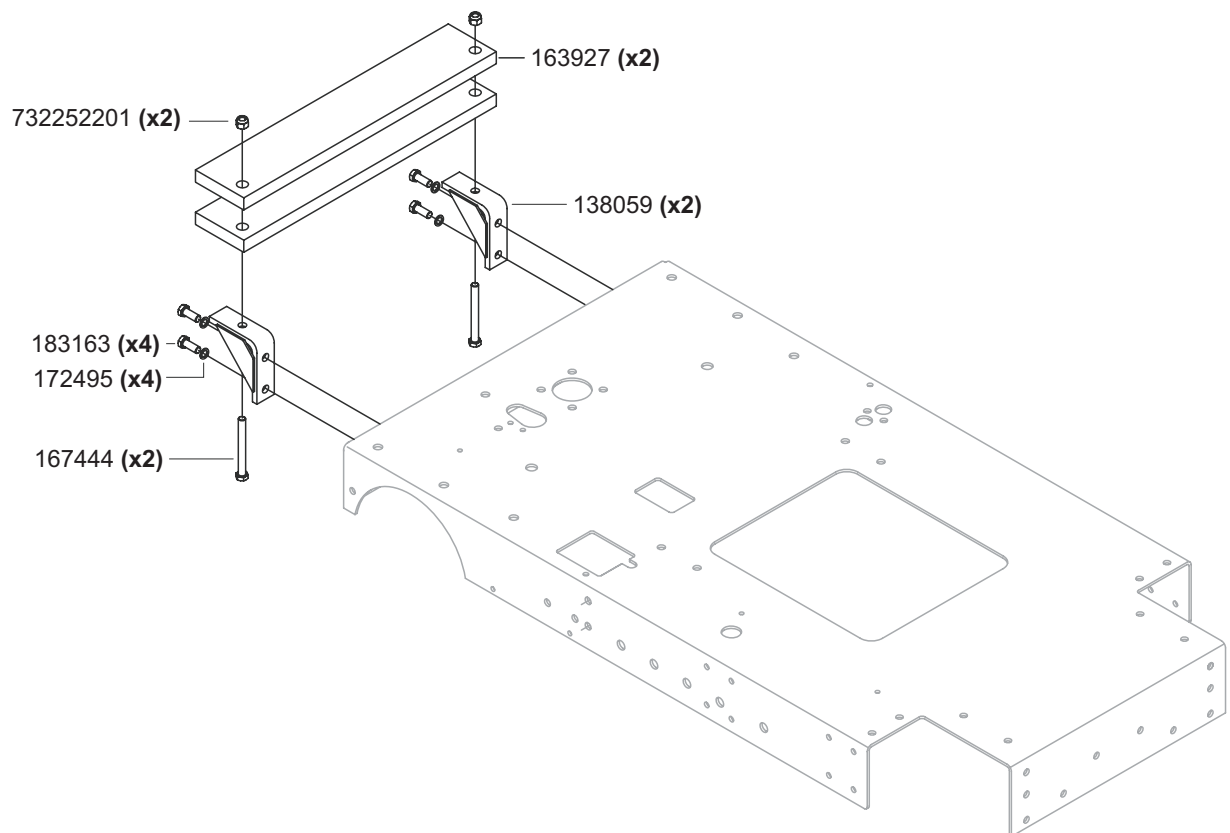
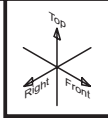
181117 - Kit, Compl

166855 —  See Main Wiring Diagram in Operator's Manual



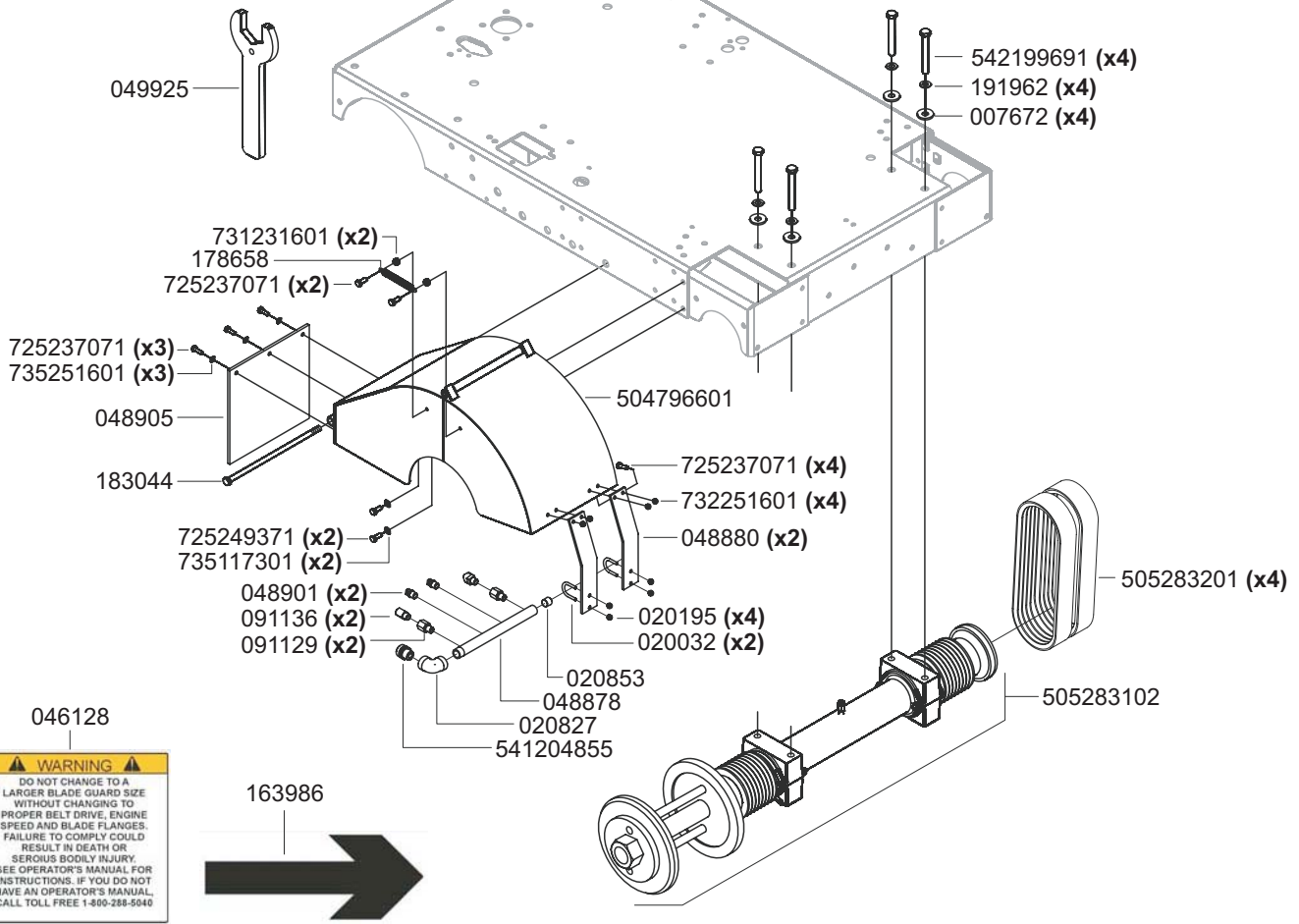
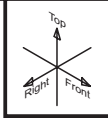
AA Weight Kit- 42”(1000mm)

542196172 - Compl 42”(1000mm) (2 Bars)



AB Side Cut Plunge Kit - 18/20"

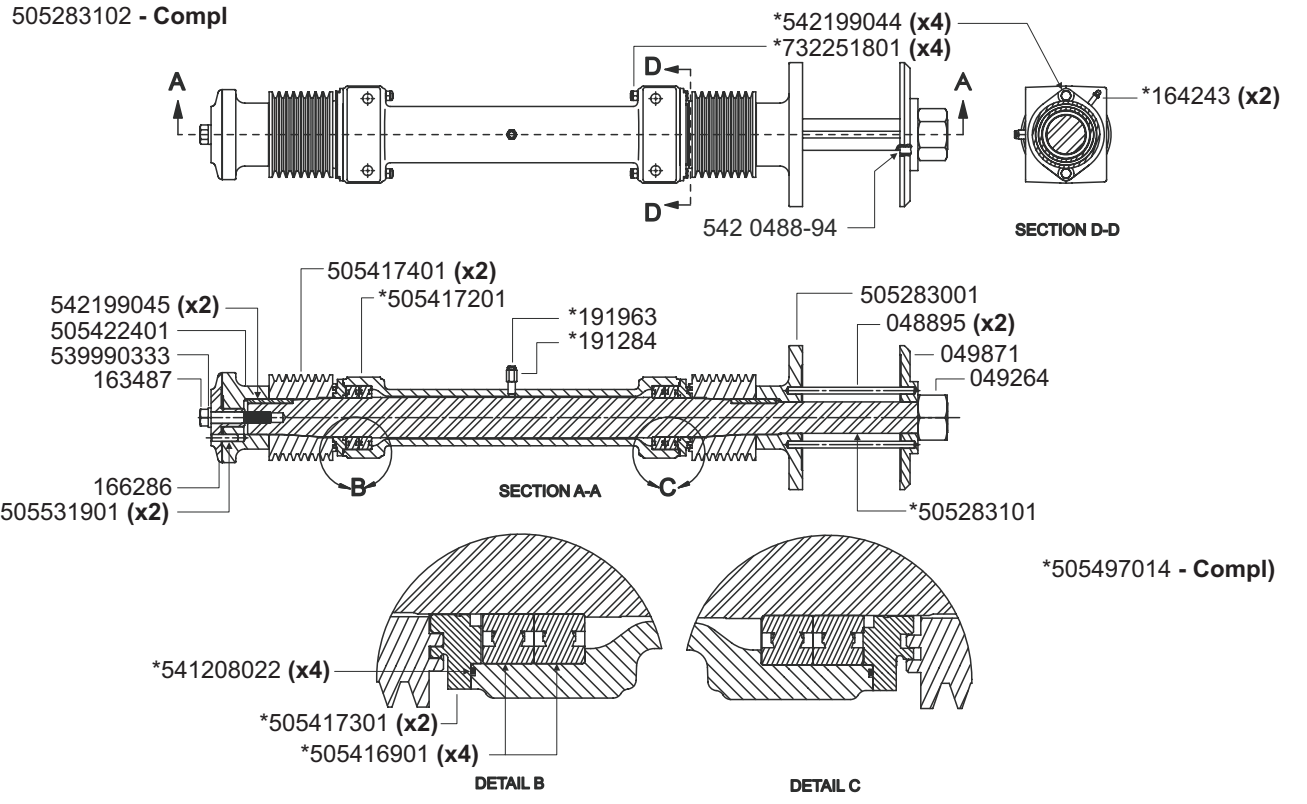
516026601 - Compl



WARNING

DO NOT CHANGE TO A LARGER BLADE GUARD SIZE WITHOUT CHANGING TO PROPER BELT DRIVE, ENGINE SPEED AND BLADE FLANGES. FAILURE TO COMPLY COULD RESULT IN DEATH OR SERIOUS BODILY INJURY. SEE OPERATOR'S MANUAL FOR INSTRUCTIONS. IF YOU DO NOT HAVE AN OPERATOR'S MANUAL, CALL TOLL FREE 1-800-288-5040

505283102 - Compl



NOTES:

Husqvarna Construction Products N. A.
Corporate Office
17400 West 119th Street
Olathe, Kansas 66061
Tel. 913-928-1000
Fax 913-438-7951

Customer Service: 800-288-5040
Customer Serv. Fax: 800-825-0028



DUST WARNING



Cutting, especially when DRY cutting, generates dust that comes from the material being cut, which frequently contains silica. Silica is a basic component of sand, quartz, brick clay, granite and numerous other minerals and rocks. Exposure to excessive amount of such dust can cause:

- Respiratory diseases (affecting your ability to breath), including chronic bronchitis, silicosis and pulmonary fibrosis from exposure to silica. These diseases may be fatal;
- Skin irritation and rash; and
- Cancer according to NTP* and IARC*
* National Toxicology Program / International Agency for Research on Cancer

Take precautionary steps

- Avoid inhalation of and skin contact with dust, mist and fumes;
- Wet cut when feasible, to minimize dust;
- Wear and ensure that all bystanders wear appropriate respiratory protection such as dust masks designed to filter out microscopic particles. (See OSHA 29 CFR Part 1910.1200)

California Prop 65 Warning:

Use of this product can cause exposure to materials known to the State of California to cause cancer and/or birth defects or other reproductive harm.



Printed in the USA