

PP 345 E

Reservdelar

Spare parts

Ersatzteile

Pieces de rechange

Piezas de repuesto

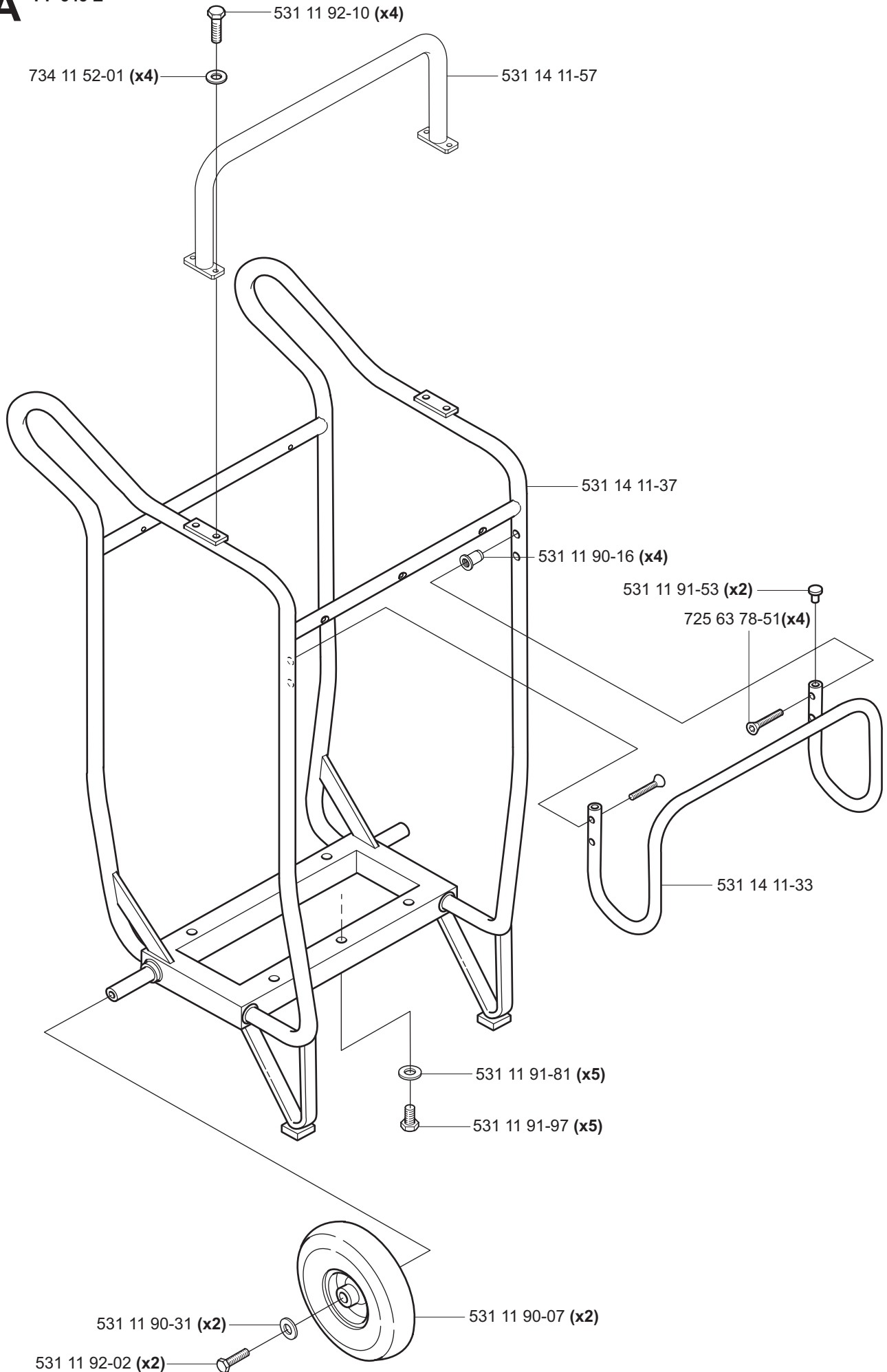
Ricambi

Peças sobresselente

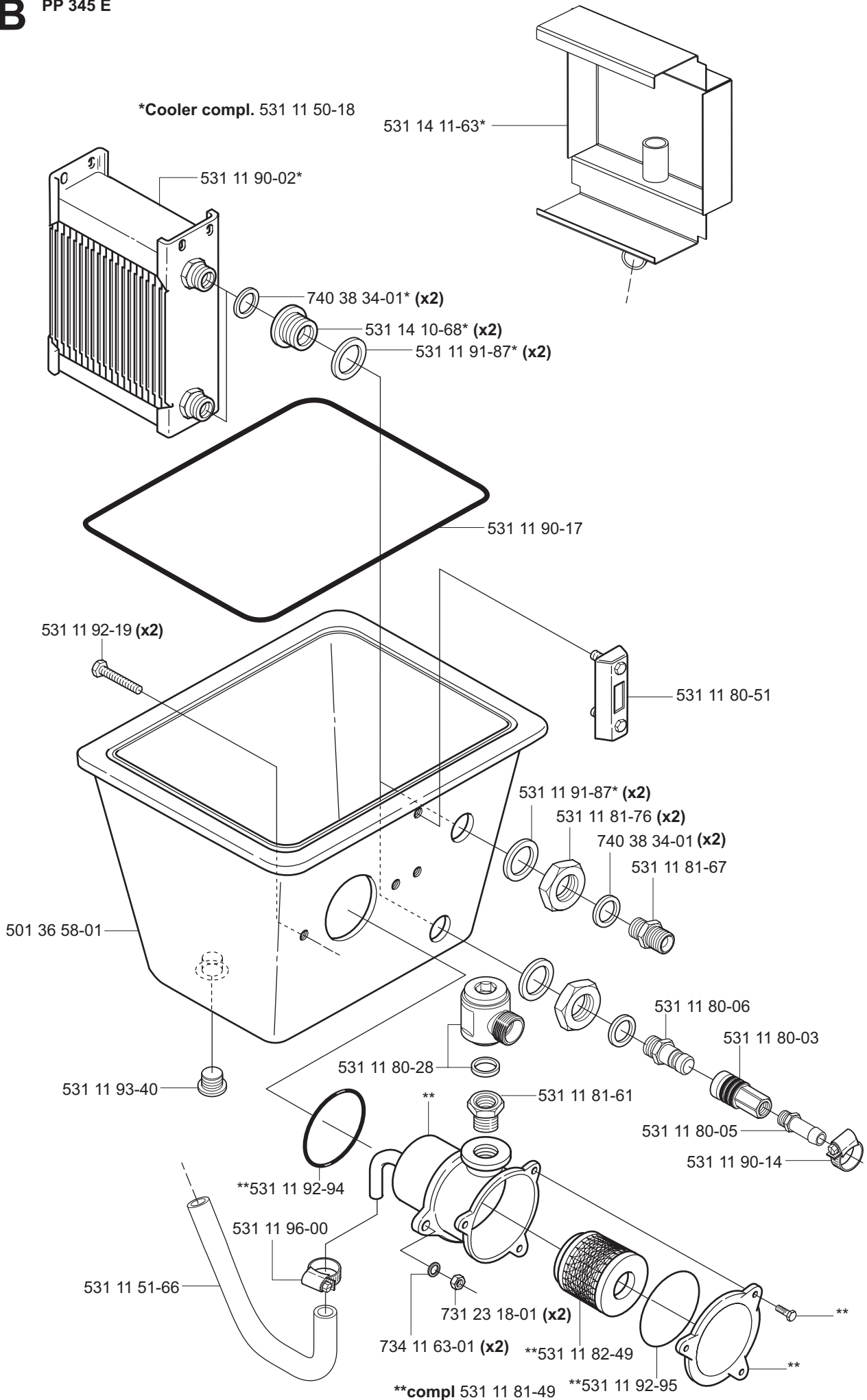
| No. | Pos. | Description | No. | Pos. | Description |
|--------------|------|-------------------------------|--------------|------|----------------------------|
| 501 36 58-01 | B | Tank | 531 11 80-27 | F | Cutting edge ring |
| 501 36 62-01 | C | Tank cover | 531 11 80-28 | B | Coupling |
| 501 36 63-01 | C | Electric motor 200V | 531 11 80-29 | F | Coupling |
| 501 36 63-02 | C | Electric motor 400V-440V | 531 11 80-35 | F | Hydraulic coupling |
| 501 36 63-03 | C | Electric motor 230V | 531 11 80-37 | F | Coupling |
| 501 36 63-04 | C | Electric motor 600V | 531 11 80-38 | F | Coupling |
| 501 36 69-01 | D | Control board | 531 11 80-39 | E | Flow control valve cpl |
| 501 36 75-01 | E | Control block | 531 11 80-40 | E | Flow control valve |
| 501 36 77-01 | E | Direction block | 531 11 80-41 | FJ | Coupling |
| 501 36 81-01 | D | Sequence block | 531 11 80-42 | FJ | Coupling |
| 501 36 82-01 | G | Front cover 5-pin | 531 11 80-45 | FJ | Coupling |
| 501 36 83-01 | G | Front cover 4-pin | 531 11 80-46 | FJ | Coupling |
| 501 36 84-01 | G | Front cover 4-pin JAP | 531 11 80-51 | B | Level gauge |
| 501 36 86-01 | G | Front cover 4-pin CAN | 531 11 80-52 | F | Tube coupling |
| 504 00 39-01 | D | Type plate | 531 11 80-53 | F | Coupling |
| 504 01 05-01 | D | Sequence block | 531 11 80-54 | F | Coupling |
| 504 01 24-01 | G | Front cover 5-pin NOR | 531 11 80-55 | F | Coupling |
| 531 11 11-66 | E | Valve lever | 531 11 80-56 | C | Hydraulic coupling |
| 531 11 50-15 | E | Water valve | 531 11 80-60 | D | Sealing plug |
| 531 11 50-18 | B | Cooler cpl | 531 11 80-61 | E | Sealing plug |
| 531 11 50-59 | F | Feeding tube cpl | 531 11 80-66 | F | Coupling |
| 531 11 50-60 | F | Feeding tube cpl | 531 11 80-77 | E | Valve cpl |
| 531 11 50-61 | F | Feeding tube cpl | 531 11 80-78 | E | Valve |
| 531 11 50-64 | F | Coupling | 531 11 80-81 | E | Valve |
| 531 11 50-88 | F | Pressure pipe cpl | 531 11 80-84 | C | Valve |
| 531 11 50-89 | F | Return pipe cpl | 531 11 80-86 | D | Sequence valve |
| 531 11 51-28 | E | Main valve | 531 11 80-88 | E | Valve cpl |
| 531 11 51-66 | B | Filter hose | 531 11 80-89 | E | Valve |
| 531 11 51-69 | C | Shaft coupling | 531 11 80-92 | D | Directional valve |
| 531 11 51-84 | C | Pressure pipe | 531 11 81-49 | B | Filter housing |
| 531 11 51-90 | J | Hose set complete | 531 11 81-53 | F | Hose |
| 531 11 70-15 | H | Indicator lamp | 531 11 81-55 | F | Return hose |
| 531 11 70-36 | H | Din connector | 531 11 81-56 | F | Water hose |
| 531 11 70-62 | H | Cable grommet | 531 11 81-61 | B | Coupling |
| 531 11 70-68 | H | Contacto 230-400V | 531 11 81-65 | J | Feeding hose 1/4" |
| 531 11 70-73 | H | Assembly socket | 531 11 81-67 | B | Coupling |
| 531 11 70-74 | H | Motor protector | 531 11 81-74 | F | Manometer hose |
| 531 11 71-00 | H | Terminal block | 531 11 81-75 | E | Spring |
| 531 11 71-01 | H | Terminal block | 531 11 81-76 | B | Nut |
| 531 11 71-31 | G | Extention socket 32A 440V | 531 11 81-77 | F | Pressure hose |
| 531 11 71-38 | H | Switch 400-600V | 531 11 81-91 | C | Bulkhead coupling |
| 531 11 71-52 | G | Electric inlet 32A 400-440V | 531 11 81-99 | E | Knob |
| 531 11 71-53 | G | Electric inlet 63A 200-230V | 531 11 82-16 | F | Waterhose |
| 531 11 71-55 | G | Socket | 531 11 82-18 | J | Quick coupling male 13411 |
| 531 11 71-67 | G | Fuse cover compl. | 531 11 82-19 | J | Quick coupling |
| 531 11 71-73 | H | End plate | 531 11 82-35 | F | Quick coupling |
| 531 11 71-74 | H | End suport | 531 11 82-47 | J | Rubber band |
| 531 11 71-80 | H | Switch JAP 200V | 531 11 82-49 | B | Filter |
| 531 11 71-84 | H | Contacto 200V | 531 11 82-77 | C | Pump 50Hz |
| 531 11 71-87 | H | Lens clear | 531 11 82-80 | C | Pump 60Hz |
| 531 11 71-94 | G | Extention socket 63A 200-230V | 531 11 83-23 | J | Hose set without couplings |
| 531 11 71-95 | G | Tubular rivet | 531 11 83-36 | J | Hydraulic hose 3/4" |
| 531 11 71-96 | G | Spring | 531 11 90-00 | D | Saddle washer |
| 531 11 72-05 | H | Connection block | 531 11 90-02 | B | Cooler |
| 531 11 72-08 | G | Personal safety guard | 531 11 90-04 | D | Ventilator |
| 531 11 72-21 | H | Contacto 600V | 531 11 90-07 | A | Wheel |
| 531 11 72-22 | H | Contacto 440V | 531 11 90-08 | F | Vent hose |
| 531 11 72-23 | H | Connection block US/CAN | 531 11 90-09 | D | Washer nylon |
| 531 11 72-27 | G | Electric inlet 32A 600V | 531 11 90-10 | D | Protective film |
| 531 11 72-28 | G | Extention socket 32A 600V | 531 11 90-14 | BF | Clamp |
| 531 11 72-38 | H | Fuse holder 600V | 531 11 90-16 | A | Pop nut |
| 531 11 72-39 | H | Fuse 10A 600V | 531 11 90-17 | B | O-ring |
| 531 11 72-71 | G | Fuse cover | 531 11 90-18 | H | Spacer |
| 531 11 72-76 | H | Switch NOR 230-400V | 531 11 90-24 | H | Nut nylon |
| 531 11 73-68 | H | Emergency stop | 531 11 90-25 | H | Rubber plug |
| 531 11 80-03 | B | Coupling | 531 11 90-26 | E | Wheel |
| 531 11 80-05 | BF | Hose coupling | 531 11 90-30 | F | Air filter |
| 531 11 80-06 | B | Coupling | 531 11 90-31 | A | Washer |
| 531 11 80-09 | D | Manometer | 531 11 90-98 | E | Spring |
| 531 11 80-10 | D | Manometer | 531 11 90-99 | E | Ball |

| No. | Pos. | Description | No. | Pos. | Description |
|--------------|------|----------------------|--------------|------|-------------------|
| 531 11 91-13 | E | Handle | 725 63 78-51 | A | Screw mf6s 6x40 |
| 531 11 91-53 | A | Plastic plug | 728 83 21-05 | E | Stop screw 5x6 |
| 531 11 91-81 | AC | Washer | 728 84 85-05 | E | Stop screw 10x10 |
| 531 11 91-83 | C | Washer | 731 23 12-01 | GH | Nut M4 |
| 531 11 91-85 | FJ | Sealing ring 1/2" | 731 23 14-01 | FGH | Nut M5 |
| 531 11 91-86 | C | Sealing ring M22 | 731 23 18-01 | BG | Nut M8 |
| 531 11 91-87 | B | Sealing ring M26 | 731 23 20-01 | C | Nut M10 |
| 531 11 91-97 | A | Screw m6s 10x16 | 731 23 22-01 | C | Nut M12 |
| 531 11 92-00 | C | Screw m6s 10x35 | 732 25 16-01 | D | Nut M6 nylock |
| 531 11 92-02 | A | Screw m6s 12x25 | 734 11 35-71 | G | Washer 4,3x8 |
| 531 11 92-07 | C | Scruw m6s 12x45 | 734 11 46-01 | G | Washer 5,3x10x1 |
| 531 11 92-10 | A | Screw m6s 6x12 | 734 11 52-01 | ACD | Washer 6,4x12 |
| 531 11 92-11 | D | Screw m6s 6x16 | 734 11 63-01 | B | Washer 8,4x16 |
| 531 11 92-19 | B | Screw m6s 8x30 | 740 38 08-01 | CE | Sealing ring M6 |
| 531 11 92-24 | C | Screw m6sf 8x20 | 740 38 18-01 | CFJ | Sealing ring 1/8" |
| 531 11 92-30 | E | Screw mc6s 6x100 | 740 38 27-01 | J | Sealing ring 1/4 |
| 531 11 92-47 | D | Screw mf6s 6x45 | 740 38 34-01 | BF | Sealing ring 3/8" |
| 531 11 92-55 | E | Screw mlc6s 6x45 | 740 42 02-00 | D | O-ring 4,1x1,6 |
| 531 11 92-63 | E | O-ring 19,3x2,4 | 740 42 09-00 | E | O-ring 11,1x1,6 |
| 531 11 92-74 | E | O-ring 29,2x3 | 740 42 13-00 | E | O-ring 15,1x1,6 |
| 531 11 92-93 | C | O-ring 80x1,6 | 740 43 06-00 | E | O-ring 8,3x 2,4 |
| 531 11 92-94 | B | O-ring 90x5,3 | 740 43 11-00 | E | O-ring 13,3x2,4 |
| 531 11 92-95 | B | O-ring 98,02x3,53 | 740 43 14-00 | C | O-ring 16,3x2,4 |
| 531 11 93-25 | EF | Washer 5,3x12 | | | |
| 531 11 93-28 | E | Support ring | | | |
| 531 11 93-37 | E | Plug | | | |
| 531 11 93-40 | BC | Plug | | | |
| 531 11 93-51 | F | Hose clamp | | | |
| 531 11 93-52 | E | Screw | | | |
| 531 11 93-72 | G | Sealing strip | | | |
| 531 11 96-00 | B | Hose clamp | | | |
| 531 12 22-52 | J | Water hose | | | |
| 531 12 31-00 | FJ | Aluminium washer red | | | |
| 531 14 10-68 | B | Bulkhead coupling | | | |
| 531 14 10-99 | H | Indicator | | | |
| 531 14 11-06 | E | Valve holder | | | |
| 531 14 11-17 | E | Holder | | | |
| 531 14 11-21 | G | Fuse holder | | | |
| 531 14 11-22 | G | Hinge | | | |
| 531 14 11-24 | F | Connection panel | | | |
| 531 14 11-26 | E | Valve lever hub | | | |
| 531 14 11-27 | E | Water valve | | | |
| 531 14 11-33 | A | Hose holder | | | |
| 531 14 11-36 | E | Sealing element | | | |
| 531 14 11-37 | A | Trolley frame | | | |
| 531 14 11-50 | G | Gasket fuse cover | | | |
| 531 14 11-57 | A | Handle | | | |
| 531 14 11-59 | C | Valve plate | | | |
| 531 14 11-61 | G | Thread bushing | | | |
| 531 14 11-63 | B | Cooler flange | | | |
| 531 14 11-67 | C | Nipple | | | |
| 531 14 11-68 | F | Ventilation nipple | | | |
| 531 14 11-72 | D | Restriction screw | | | |
| 531 14 11-90 | G | Decal | | | |
| 531 14 12-04 | DE | Labels for PP 345 E | | | |
| 531 14 12-05 | DG | Sign flach | | | |
| 531 14 12-11 | G | Label | | | |
| 531 14 12-55 | H | Protective enclosure | | | |
| 531 14 20-96 | G | Decal | | | |
| 721 42 62-00 | E | Spring pin | | | |
| 723 12 20-01 | H | Screw mcs 3x6 | | | |
| 723 12 87-01 | E | Screw mcs 4x8 | | | |
| 723 12 93-01 | H | Screw mcs 4x12 | | | |
| 723 13 25-01 | H | Screw mcs 5x10 | | | |
| 723 13 28-01 | F | Screw mcs 5x14 | | | |
| 723 13 29-01 | G | Screw mcs 5x16 | | | |
| 723 52 89-01 | DG | Screw mfs 4x10 | | | |
| 725 23 80-51 | C | Screw m6s 6x50 | | | |
| 725 53 04-01 | D | Screw mc6s 4x45 | | | |
| 725 63 68-51 | E | Screw mf6s 6x16 | | | |

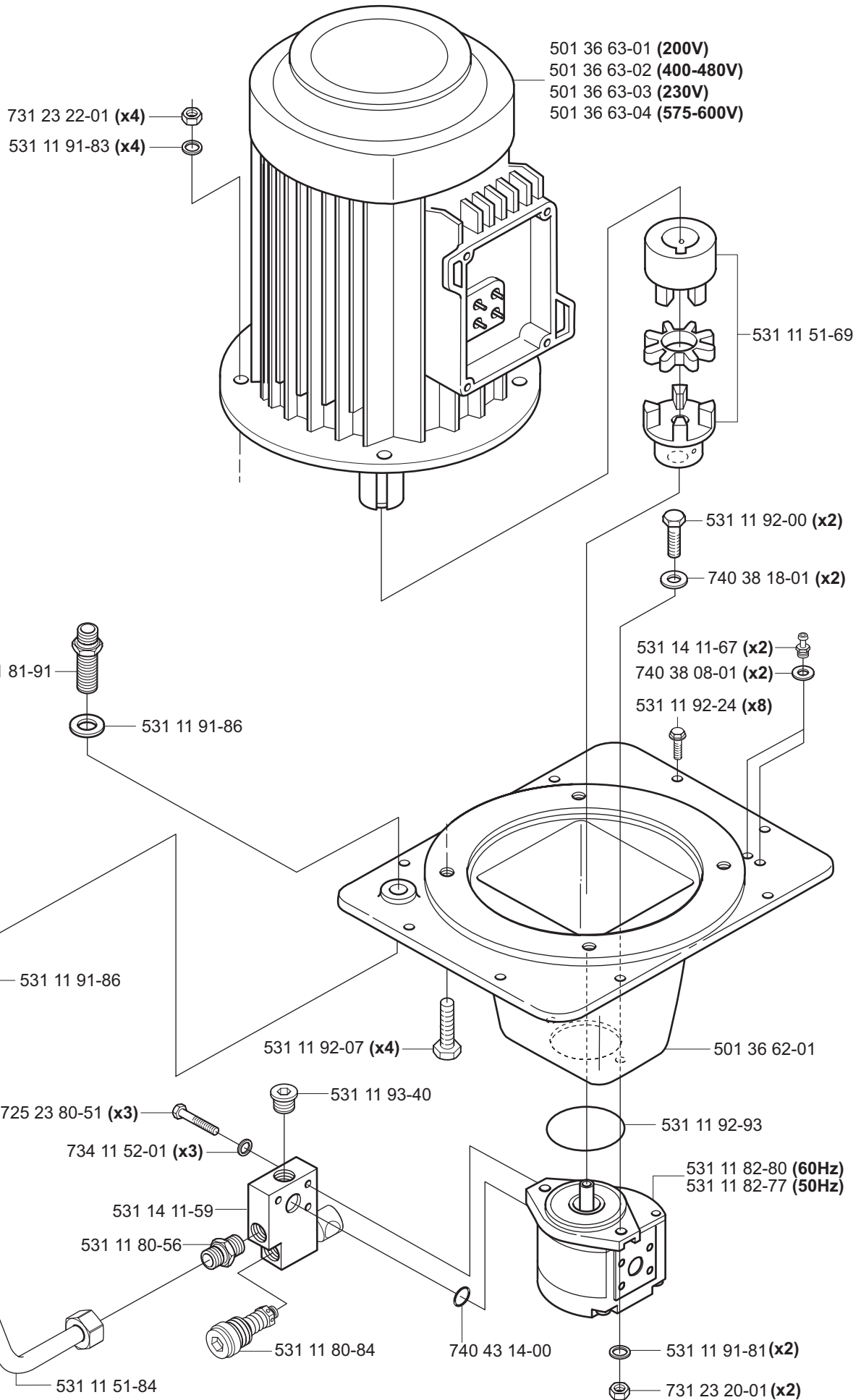
A PP 345 E



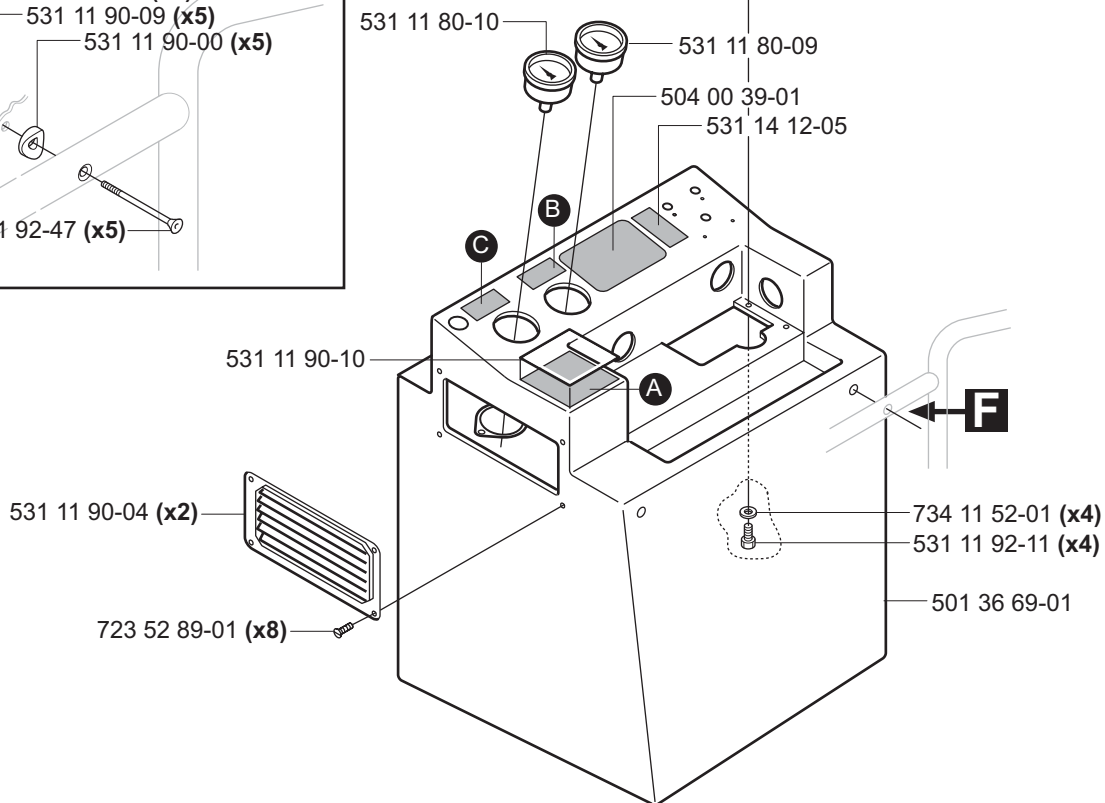
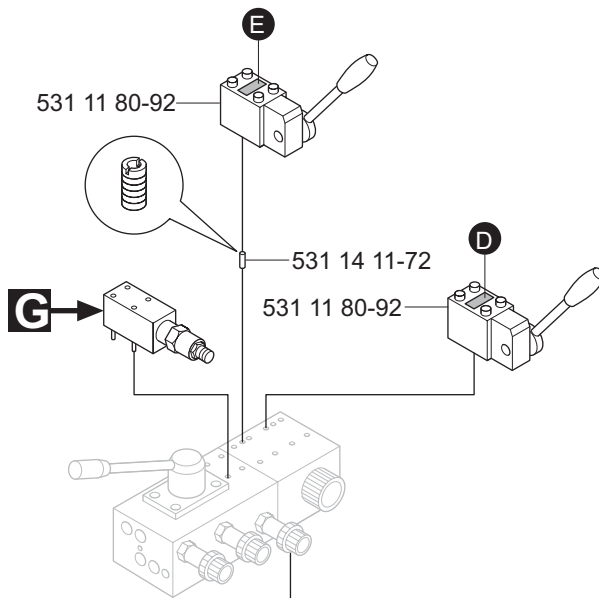
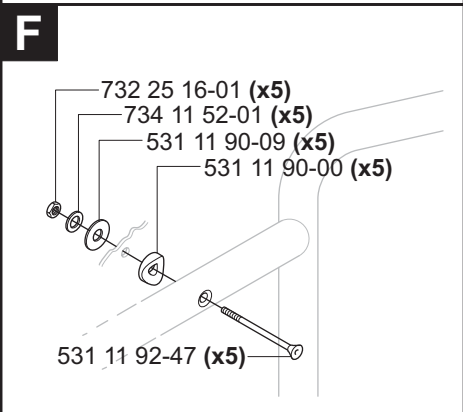
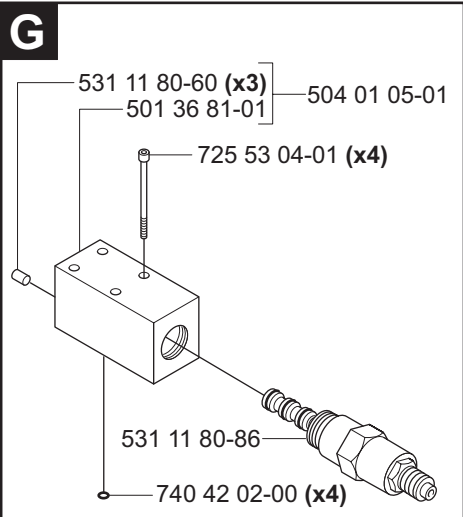
B PP 345 E



C PP 345 E



D PP 345 E



531 14 12-05

504 00 39-01

Husqvarna
Gothenburg, Sweden

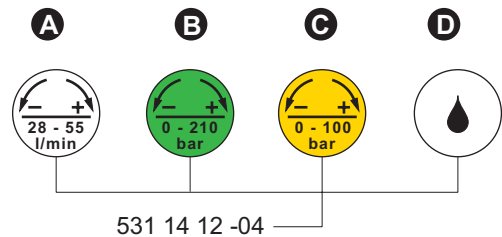
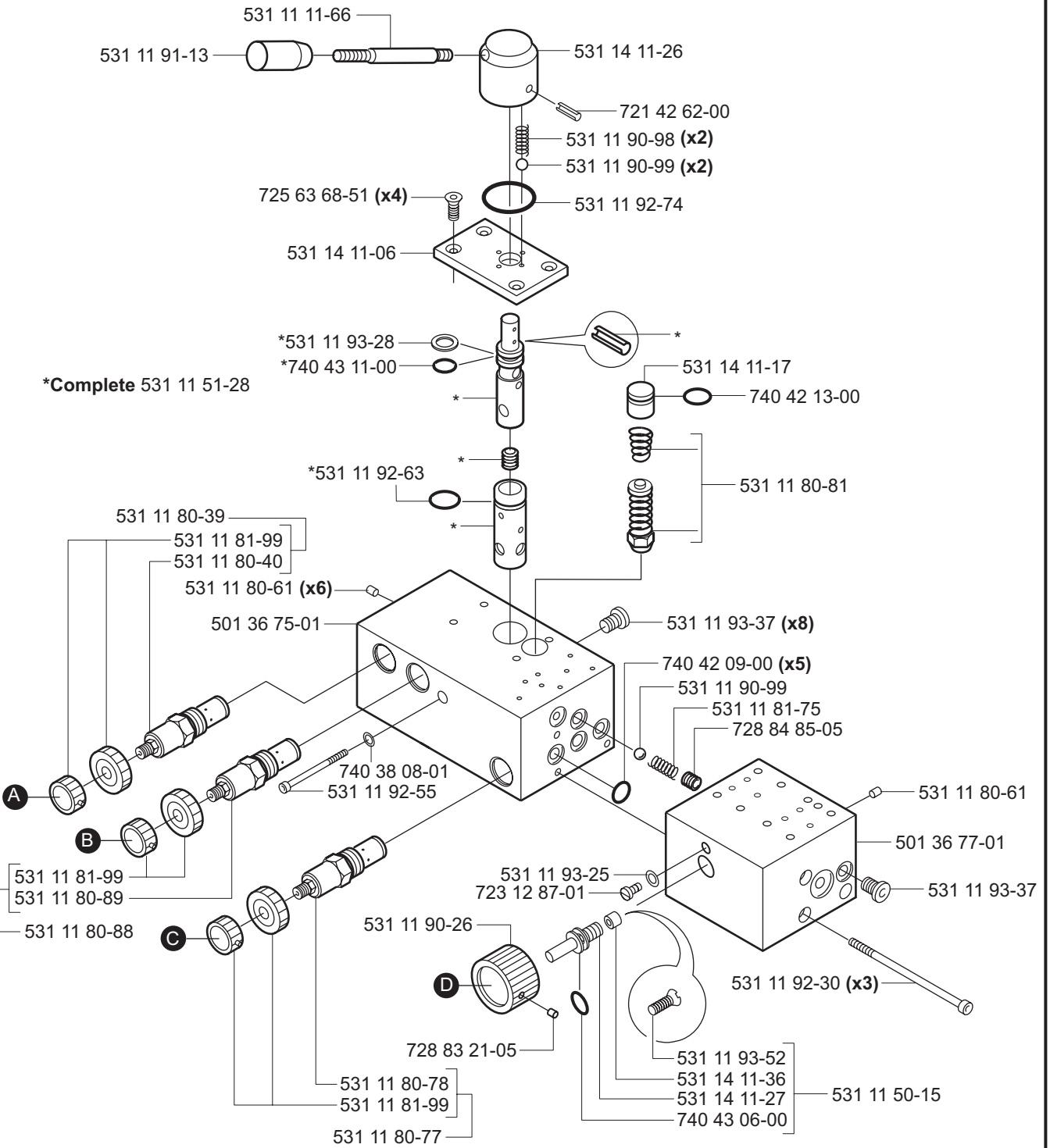
Type

No Max L/min

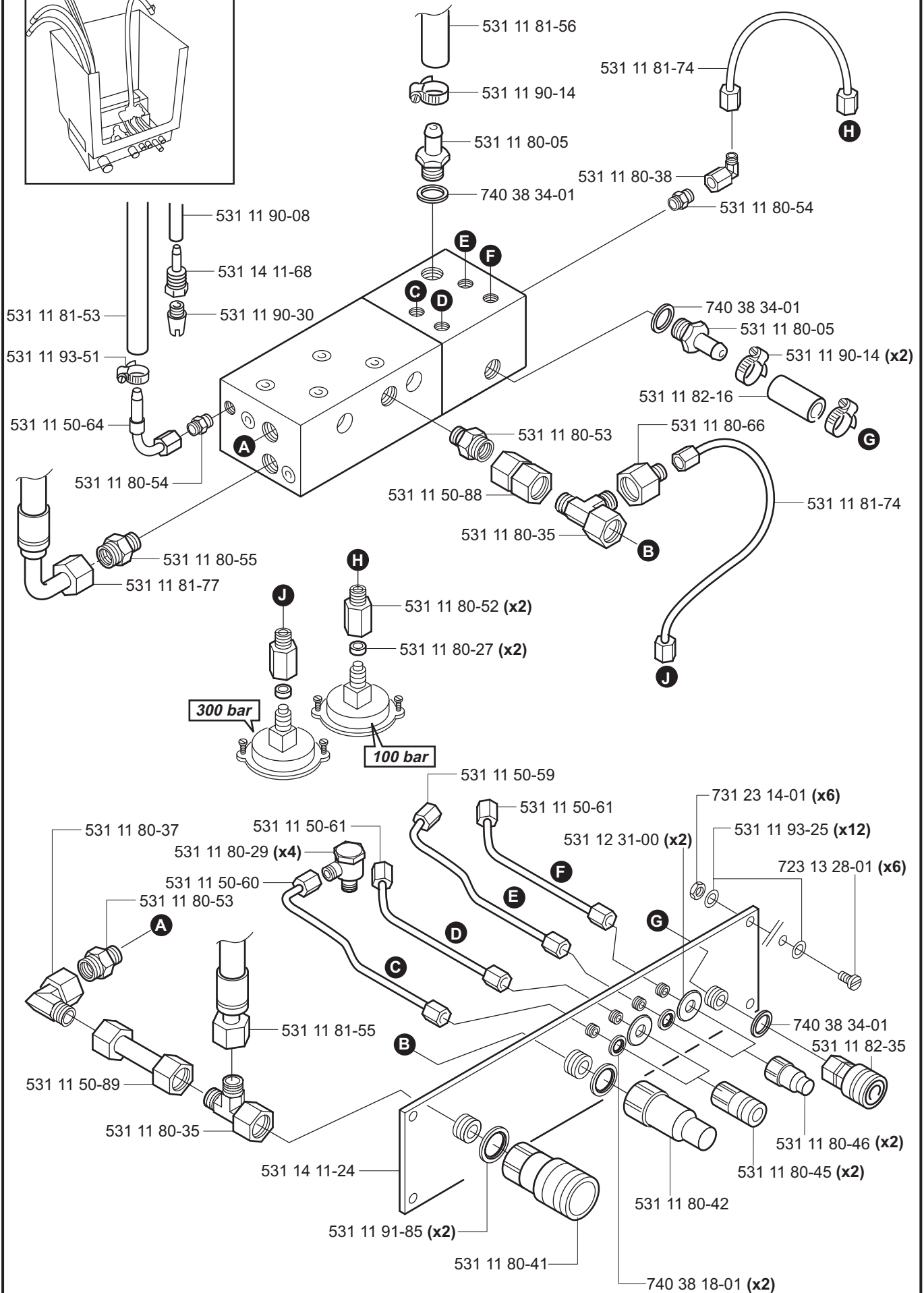
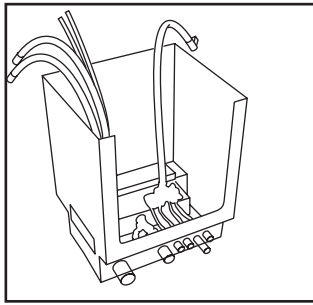
CE Max Bar

Labels for PP 345 E 531 14 12-04

A **B** **C** **D** **E**

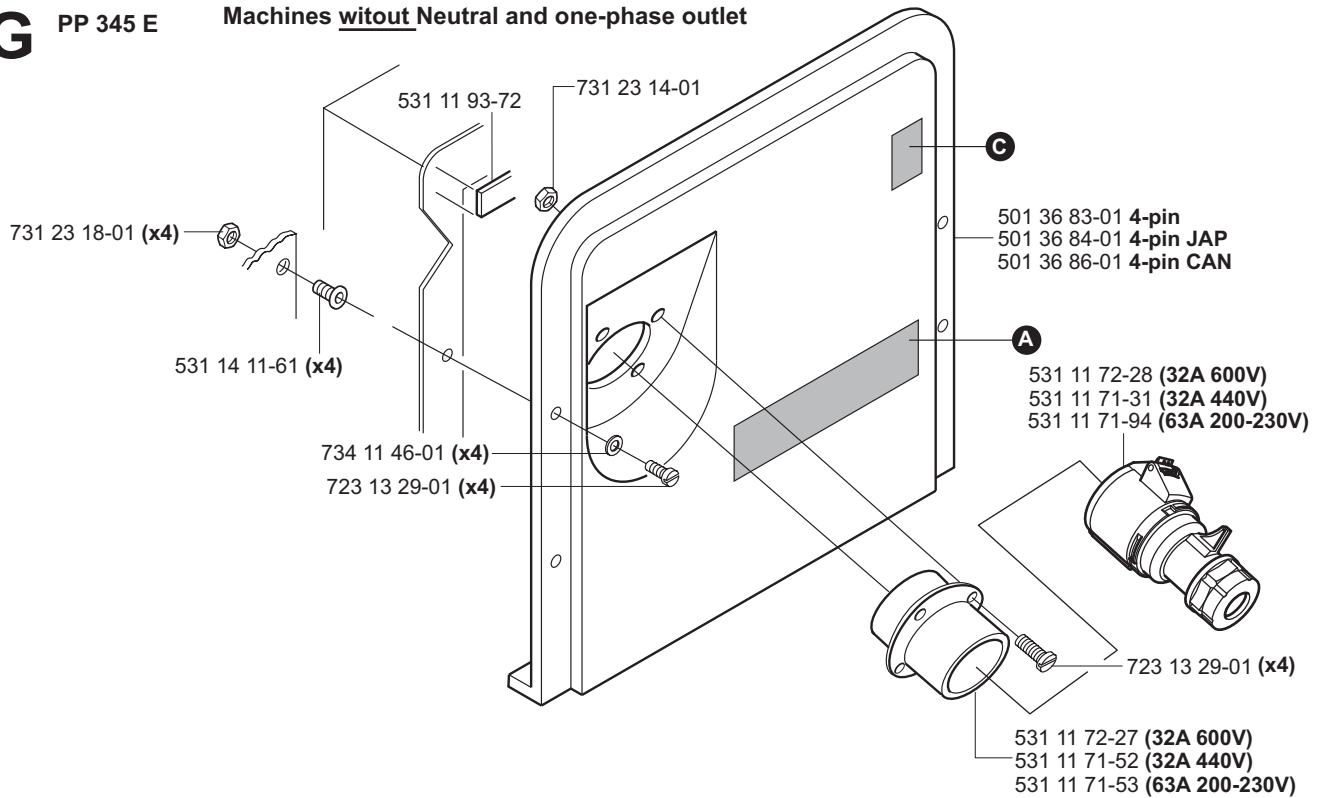
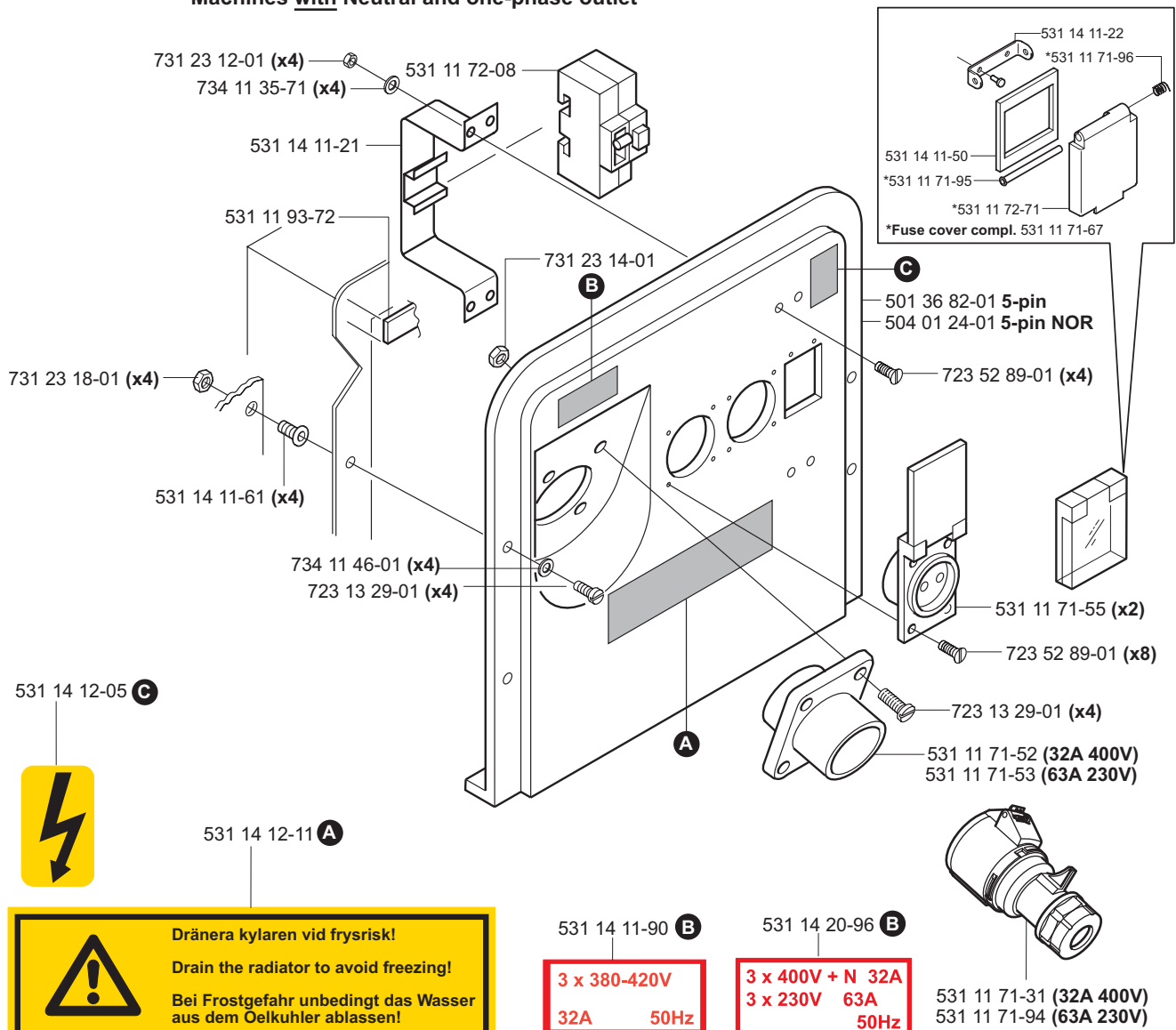


F PP 345 E



G

PP 345 E

Machines without Neutral and one-phase outlet**Machines with Neutral and one-phase outlet**

Dränera kylaren vid frysrisk!
 Drain the radiator to avoid freezing!
 Bei Frostgefahr unbedingt das Wasser
 aus dem Oelkuhler ablassen!

H PP 345 E

- *compl 531 11 71-38 (400-600V)
- *compl 531 11 72-76 (NOR 230/400V)
- *compl 531 11 71-80 (200-230V)

