

Husqvarna TS 355 TS 355G

Spare Parts
Pieces de rechange
Piezas de repositado

TS 355 Electric - Gas

PART NO.	POS.	DESCRIPTION	PART NO.	POS.	DESCRIPTION
539 99 05-80	D1	HHCS, 1/4-20 X 3/4 GR 5	542 03 23-66*	B1-2,C1-2	Nut, KEPS .3125-18
542 00 06-05	D1	Motor: 1.5HP 3450 115/208-230/60	542 03 25-01*	C1-2	Shim, Brass .005"
542 00 06-07	D1	Motor: 2HP 2850 220/50/1	542 03 25-02*	C1-2	Shim, Brass .015"
542 00 07-16	D1	Motor: 2HP 3450 115/208-230/60/1	542 03 25-03*	C1-2	Shim, Brass .020"
542 00 08-06	D1	Motor: 3HP 3450 208-230/460/60/3	542 03 25-41*	D1	Cover, Dust Proof Switch Box
542 02 00-49*	D2	Hose Clamp, Worm Drive SAE004	542 03 26-05*	E1	Water Pump 115V – Compl
542 02 00-62*	C1-2,D1-2	Key, .1875 SQ X 1.25	542 03 26-06*	E1	Water Pump 230V – Compl
542 02 01-33*	B1-2	Nut, Std Hex .25-20 RH	542 03 40-50*	H	Kit, Foot Pedal, TS 355 - Compl
542 02 01-34*	H	Nut, Std Hex .3125-18	542 03 40-51*	H	Foot, Pedal Weldment
542 02 01-69*	C1-2	Nut, Hex Jam Thin .3125-18	542 03 40-55*	H	Support, Foot Pedal Weld
542 02 01-71*	F1-2	Nut, Hex Jam Thin .375-24	542 03 40-58*	H	Support, RH Front Pedal
542 02 01-95*	C1-2,E2	Locknut, Fiber .25-20	542 03 40-59*	H	Support, LH Front Pedal
542 02 01-97*	C1-2,D2,E2	Locknut, Fiber .3125-18	542 03 40-61*	H	Tilt Rod
542 02 01-99*	A1-2,C1-2	Locknut, Fiber .375-16	542 03 40-62*	H	Yoke, Tilt Rod
542 02 01-99*	D2,E2,G,H	Locknut, Fiber .375-16	542 04 63-26*	D1	Decal: 3-Wire Grounded Plug
542 02 02-38*	H	Nut, .375-16 Wing	542 04 63-27*	D1	Decal: Cord Usages
542 02 03-01*	B1-2,C2	HHCS, .25-20 X .625 GR 5	542 04 87-40*	C2	HHCS, .375-16 x 1.25 GR 5
542 02 03-06*	E2	HHCS, .25-20 X 1 GR 5	542 04 87-42*	A1-2	HHCS, .3125-18 x 1.25 GR 5
542 02 03-13*	H	HHCS, .3125-18 X .75 GR 5	542 06 01-06*	C2	542 06 01-06* C2
542 02 03-14*	C1-2	HHCS, .3125-24 X .75 GR 5	542 06 04-35*	F1-2	Sheet, Track 7 Ga
542 02 03-23*	C2,E2,H	HHCS, .375-16 X 1 GR 5	542 06 04-55*	F1-2	Rod, Link .375 Dia
542 02 03-29*	A2,D2,H	HHCS, .375-16 X 2.75 GR 5	542 06 04-60*	F1-2	Yoke, Eberhard 4A .375 Tap x .375
542 02 03-30*	A1,A2	HHCS, .375-16 X 3 GR 5	542 06 04-65*	F1-2	Pin, Clevis .5 - 4A x .375
542 02 03-65*	G	HHCS, .375-16 X 2.25 GR 5	542 06 04-95*	C1	Pulley, 2GA3.00 - .75 w/SS
542 02 03-70*	C1-2	HHCS, .25-20 X .75 GR 5	542 06 05-04*	D1	Pulley, 2Ga2.00 - .875 w/SS
542 02 03-73*	C1,D2	HHCS, .3125-18 X 1.5 GR 5	542 06 05-10*	D1	V-Belt: AX-35 Set of 2
542 02 03-78*	C1	HHCS, .5-20 X 1.0 GR 5	542 06 05-19*	D1	Pulley, 2GA2.25 - .875 w/SS
542 02 03-80*	A1-2,C1-2	HHCS, .375-16 X 1.75 GR 5	542 06 05-29*	C1	Pulley, 2GA2.5 - .75 w/SS
542 02 04-24*	F1-2	RHMS, #10-32 X .375 BRASS	542 09 05-78*	F1-2	Valve, Water .25 F x .25 M
542 02 04-25*	F1-2	RHMS, #10-32 X .5 BRASS	542 13 92-73	C1-2	Bearing, .7874 Insert
542 02 04-26*	F1-2	FLHMS, 10-32 X .375 BRASS SLTD	542 13 95-68	C1-2	Handle Grip
542 02 05-09*	H	HHCS, .375-16 X 2.0 GR 5	542 16 15-81*	D1	Switch 30A,250v (1-Phase ONLY)
542 02 05-41*	D1-2,E2	SHSS, .25-20 X .375 CUP HK	542 16 00-80*	H	Pin, Snapper
542 02 05-50*	C1-2,D1	SHSS, .3125-18 X .375	542 16 11-58*	E2	Bulb, Primer
542 02 05-72*	C1-2	SHSS, #10-24 X .5 CUP HK	542 16 11-59*	E2	Strainer, Suction
542 02 06-11*	F1-2	Pin, Cotter .09375 X .625	542 16 11-76*	F1-2	Fitting, 1/4 NPT x 3/8 Hose Barb
542 02 06-99*	B1-2	RHWS, #8 X 1" SLTD	542 16 11-81*	E2	Barb, Elbow
542 02 07-01*	F1-2	Pop Rivet USM #SD88BS	542 16 11-94*	E2	Tubing, Vinyl
542 02 07-41*	C1,D1	Washer, Flat .25	542 16 11-95*	G	Pad, Skid
542 02 07-42*	C1	Washer, Flat .3125	542 16 11-96	D2	Isolator, Engine - 30-35 Durometer
542 02 07-43*	A1-2,C2,G	Washer, Flat .375	542 16 11-97*	D2	Isolator, Engine - 40-45 Durometer
542 02 07-45*	C1-2,G	Washer, Flat .5	542 16 12-25*	E2	Tubing, Vinyl 3/8 ID x 16"
542 02 07-62*	E2,F1-2	Washer, Flat SAE .25	542 16 12-28*	F1	Blade Guard, 14" – Compl
542 02 07-63*	A1-2,B1-2	Washer, Flat SAE .3125	542 16 17-76*	E1	Tubing, Vinyl 3/8" ID x 42"
542 02 07-63*	C1-2,D2,E2	Washer, Flat SAE .3125	542 16 31-87*	D2	Washer, SP .0625 x .375 x 1.5
542 02 07-64*	A1-2,C1-2,E2	Washer, Flat SAE .375	542 16 66-76*	D2	Clamp, Vinyl Coated 3/8 x 5/8
542 02 07-84*	B1-2,C2	Lockwasher, Split .25	542 16 73-04*	D2	Hose Assy-Oil Drain (M16 x 12"Lg)
542 02 07-85*	C1-2,H	Lockwasher, Split .3125 (M8)	542 16 73-06	D2	Cap, Blanking (Oil Drain)
542 02 08-13*	F1-2	Street Elbow, .25 x 90° Mach Brass	542 16 76-22*	D2	Nut, Tube-M16 (Oil Drain)
542 02 08-15*	E2	Street Elbow, 3/8 x 90° Brass	542 16 96-56	D1	Motor: 3HP 3450 115/208-230/60/1
542 02 08-19*	E2	Fitting, .375 NPT x .375 BARB	542 17 00-38*	B1-2	Tubing, Vinyl 3/8 ID x 1.5"
542 02 14-16*	C1	HHCS, .3125-18 x 1 GR 5	542 17 21-01*	D1	Pulley, 6GJ2.80 - .626 w/SS
542 02 14-23*	C1,E2	HHCS, .25-20 x .5 GR 5	542 17 30-98*	D2	Engine: 5.5HP Honda
542 03 00-04	C1-2	Washer, Spring Finger Load	542 17 46-79*	C2	Lever: Adjustable
542 03 00-63*	D1	V-Belt: Poly-V 360j6	542 17 52-61*	C1	Pulley, 6GJ2.25 - .751 w/SS
542 03 00-71*	D1	Switch Assy, 3-5HP, 3-Phase - compl	542 17 69-53*	D1	Lock Nut, 3/4" Conduit
542 03 02-51*	C1-2	Eyebolt, Bent .3125-18 x 2 FTH	542 17 72-90*	C2	HHCS, .5-20 x 1.0 LH
542 03 02-85*	C1	Nut, Box Handle .5-13	542 17 72-96*	C2	Support Weld, Belt Guard, Galv
542 03 03-43*	B1	Cart, Conveyor – TS 355 - Compl	542 17 73-00*	C2	Shield, Water, Galv
542 03 03-50*	B1-2	Guide, Measuring – Compl	542 17 73-03*	B2	Cart, Conveyor - TS 355G Compl
542 03 03-62*	B1-2	Insert, Wood Assy	542 17 73-44*	E2	Shield, Rear - Water Pump, Galv
542 03 03-86*	A1-2	Drain Plug Assy, L/ Clip	542 17 73-46*	E2	Shield, Front - Water Pump, Galv
542 03 04-02*	A1-2	Splash Curtain	542 17 73-54*	E2	Pulley, 1G3V2.65-.625 w/SS
542 03 05-80*	C1-2	Bearing, Head Pivot	542 17 73-56*	D2	Pulley, 3G3V2.65 - .75 w/SS
542 03 05-91*	A1-2	Clamp: Bearing & Nut - Left Side	542 17 73-74*	F2	Blade Guard Assy – Compl 14" Gas
542 03 06-54*	E1	Insert, Hose Barb	542 17 73-75*	E2	Water Pump, Mod (Cut Shaft)
542 03 08-22*	B1-2,C1-2	Wheel, Cart	542 17 73-78*	E2	HHCS, .3125-18 x 2 FT
542 03 08-65*	F1-2	Water Tube 14"	542 17 73-79*	E2	Tubing, Clear .375 x 32"
542 03 08-70*	F1-2	Manifold	542 17 73-80*	D2	V-Belt: 3VX425 - 2 Belt Band
542 03 08-75*	F1-2	Gasket, Water Manifold	542 17 73-82*	D2	Fitting: Oil Drain, M10 x 1.25 x .38B
542 03 09-51*	C1-2	Flange, Outer	542 17 73-83*	C1	Wrench: 3/4" x 1/2" Box End
542 03 09-71*	A1-2	Clamp: Bearing & Nut - Right Side	542 17 73-89*	C2	Arm, Counterbalance Honda
542 03 09-73*	A1-2	Clamp Nut	542 17 73-99*	G	Skid, Wooden 2 x 4 – Black
542 03 10-37*	F1-2	Body, Quick Disconnect	542 17 74-05*	NS	Cover, Rear Belt Guard (Gas w/o W/P)
542 03 10-39*	F1-2	Stud, Quick Disconnect Ball	542 17 74-26*	C1	Brkt, Belt Guard Mtg, Galv (3HP Only)
542 03 20-88*	E1	Water Pump 230V/50-60/1 G-300	542 17 74-27*	C1	Brkt, Belt Guard Mtg, Galv (1.5-2HP)
		Water Pump 115V/60/1 G-300	542 17 74-33*	C1	Arm: Counter Balance

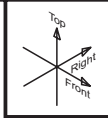
NOTE: Part No's. that have an ASTERISK (*) suffix may not be active 9-digit numbers. The '552' prefix has been added to current 6-digit part numbers and '0' to 7 and 8-digit numbers.

TS 355 Electric - Gas

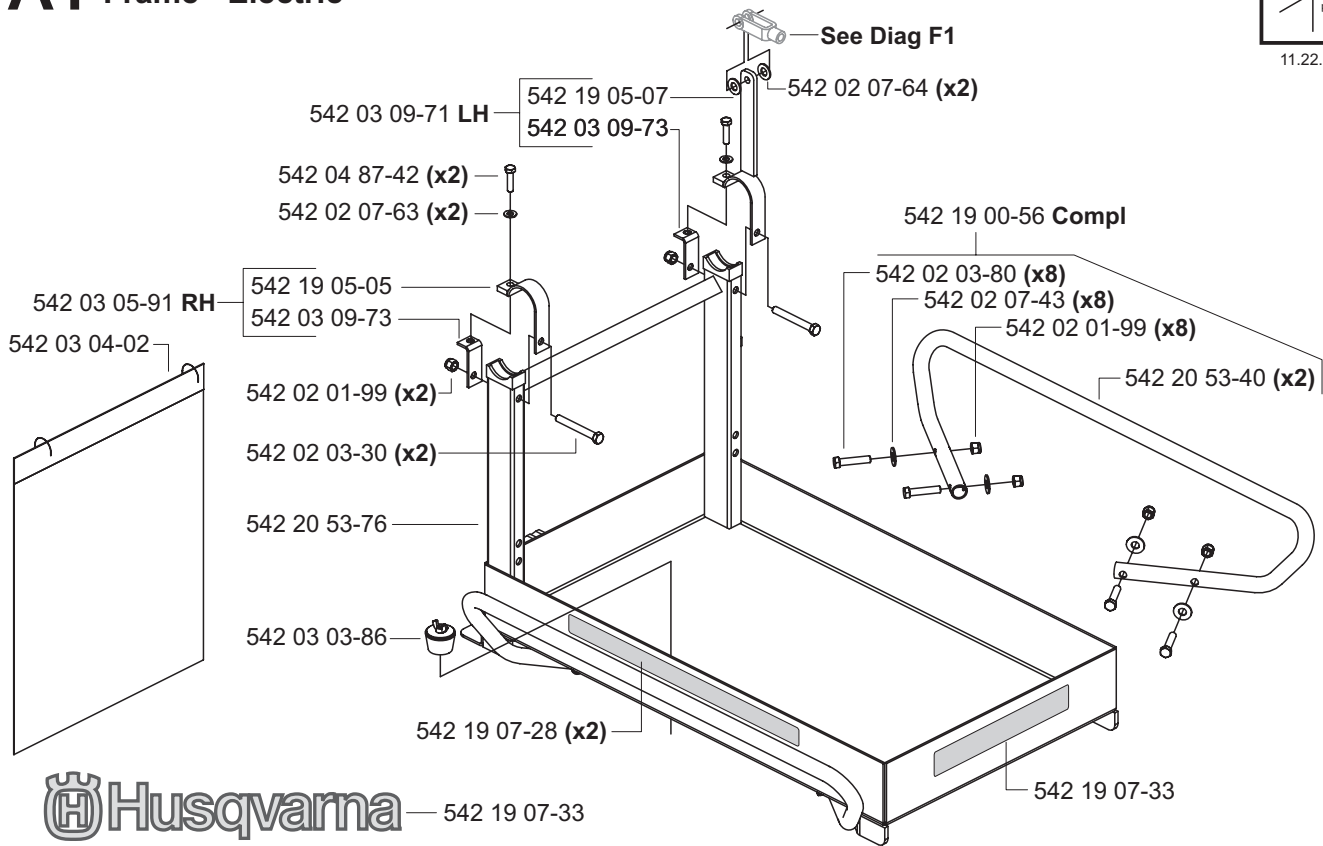
PART NO.	POS.	DESCRIPTION	PART NO.	POS.	DESCRIPTION
542 17 74-39*	E2	V-Belt: 3L x 39 Links	*** Electric Motor Service Parts ***		
542 17 75-88*	F1-2	Decal, Warning, Large			
542 17 76-50*	B1	Back Stop, Plated – TS 355			
542 17 76-52*	B2	Back Stop, Plated - TS 355G			
542 17 76-66*	B1-2	Cart, Conveyor – TS 355			
542 17 76-96*	C1-2	Drawbolt, .375-16	542 20 30-93	NS	Switch, On-Off
542 17 79-05*	C1-2	Spring, 1.38 OD x 27 Coil	542 20 30-95	NS	Overload, Manual Reset Thermal
542 17 79-73*	C1-2	Collar, Inner, B/O	542 20 30-94	NS	Capacitor, 50 Mfd / 240V (Run)
542 17 79-77*	B1	Decal: Ruler Set – TS 355	542 20 30-96	NS	Capacitor, 189-227 Mfd / 125V (Start)
542 17 79-78*	B2	Decal: Ruler Set - TS 355G			
542 18 08-09*	D1	Cable, 12-5 x 35" Lg.			
542 18 08-10*	D1	Switch Assy, 3-5HP, 1-Phase - compl	542 19 38-85	NS	Switch, On-Off DPST
542 18 08-14*	D1	Switch Box, 3/4 NPT	542 03 01-41*	NS	Switch, Dual Voltage Toggle
542 18 08-15*	D1	Connector, cable, 90° x 3/4 NPT	542 00 08-73*	NS	Overload, Manual Reset Thermal
542 18 09-87*	B1-2	Knob, Tee 5/16-18 x 1.00	542 16 94-94*	NS	Capacitor, 40 Mfd / 370V (Run)
542 18 92-47*	C1	Decal: Water Pump Outlet	542 16 94-93*	NS	Capacitor, 270-324 Mfd / 125V (Start)
542 19 05-05	A1-2	Clamp, Bearing			
542 19 05-07	A1-2	Clamp Weldment, Bearing			
542 19 05-70	C1-2	SHSS, .250-28 x .25 w/Lock			
542 19 07-27	A2	Decal, Target PortaSaw TS 355G	542 16 15-81*	D1	Switch, On-Off DPST
542 19 07-28	A1	Decal, Target PortaSaw TS 355	542 03 01-41*	NS	Switch, Dual Voltage Toggle
542 19 07-33	A1-2,C1-2	Decal, Husqvarna x 9.85"	542 00 08-73*	NS	Overload, Manual Reset Thermal
542 19 50-12*	C2	Blade Shaft, LH - TS 355G	None	NS	Capacitor, (Run)
542 19 50-14*	C2	Blade Shaft - TS 355G - Compl	542 18 91-17*	NS	Capacitor, 485 Mfd / 110V (Start)
542 19 50-15*	C1	Blade Shaft – TS 355			
542 19 50-35*	C1	Blade Shaft – TS 355 - Compl			
542 20 30-79	D1	Motor: 1.5 HP 1725 115/60/1			
542 20 53-39	F2	Blade Guard Weldment 14" H-Gray	542 16 15-81*	D1	Switch, On-Off DPST
542 20 53-40	A1-2	Handle, Masonry Saw H-Gray	542 03 01-41*	NS	Switch, Dual Voltage Toggle
542 20 53-41	C1-2	Housing, Blade Shaft, H-Gray	542 00 08-74*	NS	Overload, Manual Reset Thermal
542 20 53-60	F1	Guard, Blade Weldment, H-Gray	542 16 15-65*	NS	Capacitor, 35 Mfd / 370V (Run)
542 20 53-63	C1	Belt Guard, H-Orange	542 11 00-55*	NS	Capacitor, 650 Mfd / 165V (Start)
542 20 53-65	G	Stand, Folding – TS 355			
542 20 53-68	C2	Platform Weldment, H-Gray			
542 20 53-69	D2	Engine Plate: H-Gray			
542 20 53-70	C2	Belt Guard: H-Orange	542 16 15-81*	D1	Switch, On-Off DPST
542 20 53-71	E2	Support Weldment, Wtr-Pump H-Gray	542 03 01-41*	NS	Switch, Dual Voltage Toggle
542 20 53-72	D2	Engine Plate Base, H-Gray	542 11 00-55*	NS	Capacitor, 650 Mfd / 165V (Start)
542 20 53-73	E2	Brkt, Drawbolt-Wtr-Pump H-Gray	542 03 01-70*	NS	Lens, GuardLite
542 20 53-74	C2	Support Weld, Top Spring, H-Gray	542 03 01-80*	NS	Bulb, Guardlite
542 20 53-75	A2	Support, Bottom, Spring, H-Orange			
542 20 53-76	A1-2	Pan Weldment, TS 355 H-Orange			
542 20 53-83	C1	Platform Weldment, H-Gray			
542 20 53-84	C1-2	Handle, Tubing			
*** ITEMS NOT SHOWN ***					
542 20 11-04	NS	OM Op Instr: TS 355, Husq			
542 20 11-15	NS	IPL Parts List: TS 355, Husq			
(Used on Gas w/o Water-Pump)					
542 17 74-05*	NS	Cover, Rear Belt Guard			
542 17 40-20*	NS	Insert, Hose Barb .375 ID x 75 FGH SW			
542 19 71-01*	NS	Cable Tie, Plastic 8" X .094			
*** Kits & Inst Sheets ***			*** Fastener Legend ***		
542 17 74-24*	E2	Kit, Mechanical Wtr-Pump Repair	BHMS	Button Head Machine Screw	
542 19 00-56*	A1-2	Kit, Lifting Handle – TS 355	FLHMS	FLat Head Machine Screw	
542 17 74-01*	G	Kit, Skid –TS 355	FLHSTS	FLat Head Self-Tapping Scw	
542 03 00-49*	B1-2	Kit, Cart Wheel	HHCS	Hex Head Cap Screw	
542 0A 77-44*	G	Inst Sheet: Skid Mounting – TS 355	HWHSTS	Hex Washer Head Self-Tapping Screw	
542 0A 75-46*	H	Inst Sheet: Foot Pedal Mtg – TS 355	RHMS	Round Head Machine Screw	
542 0A 75-47*	H	Inst Sheet: Foot Pedal Assy – TS 355	RHSTS	Round Head Self-Tapping Screw	
542 0A 78-64*	C1	Inst Sheet: TS 355 Blade Shaft	SBHCS	Socket Button Head Cap Screw	
542 03 21-24	E1	Kit, Electric Wtr-Pump Repair	SBHMS	Socket Button Head Machine Screw	
542 03 20-72	E1	Impeller, G-300	SHCS	Socket Head Cap Screw	
542 03 20-93	E1	Volute, G-300	SHSS	Socker Head Set Screw	
542 03 20-94	E1	Gasket, G-300	STS	Self-Tapping Screw	
542 03 20-95	E1	O-Ring, -032	PHCS	Pan Head Cap Screw	
542 03 21-22	E1	RHSTS, 8-18 x .5 Type BT Phlps	PHMS	Pan Head Machine Screw	
542 03 21-23	E1	FLHSTS, 8-18 x .5 Type F Phlps	PHSTS	Pan Head Self-Tapping Screw	
542 05 01-71	E1	Screen, G100-300	FT	Full Thread	
542 16 14-90	E1	Cover, G-300	Gr	Grade	

NOTE: Part No's. that have an ASTERISK (*) suffix may not be active 9-digit numbers. The '552' prefix has been added to current 6-digit part numbers and '0' to 7 and 8-digit numbers.

A1 Frame - Electric



11.22.06

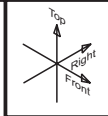


542 19 07-33

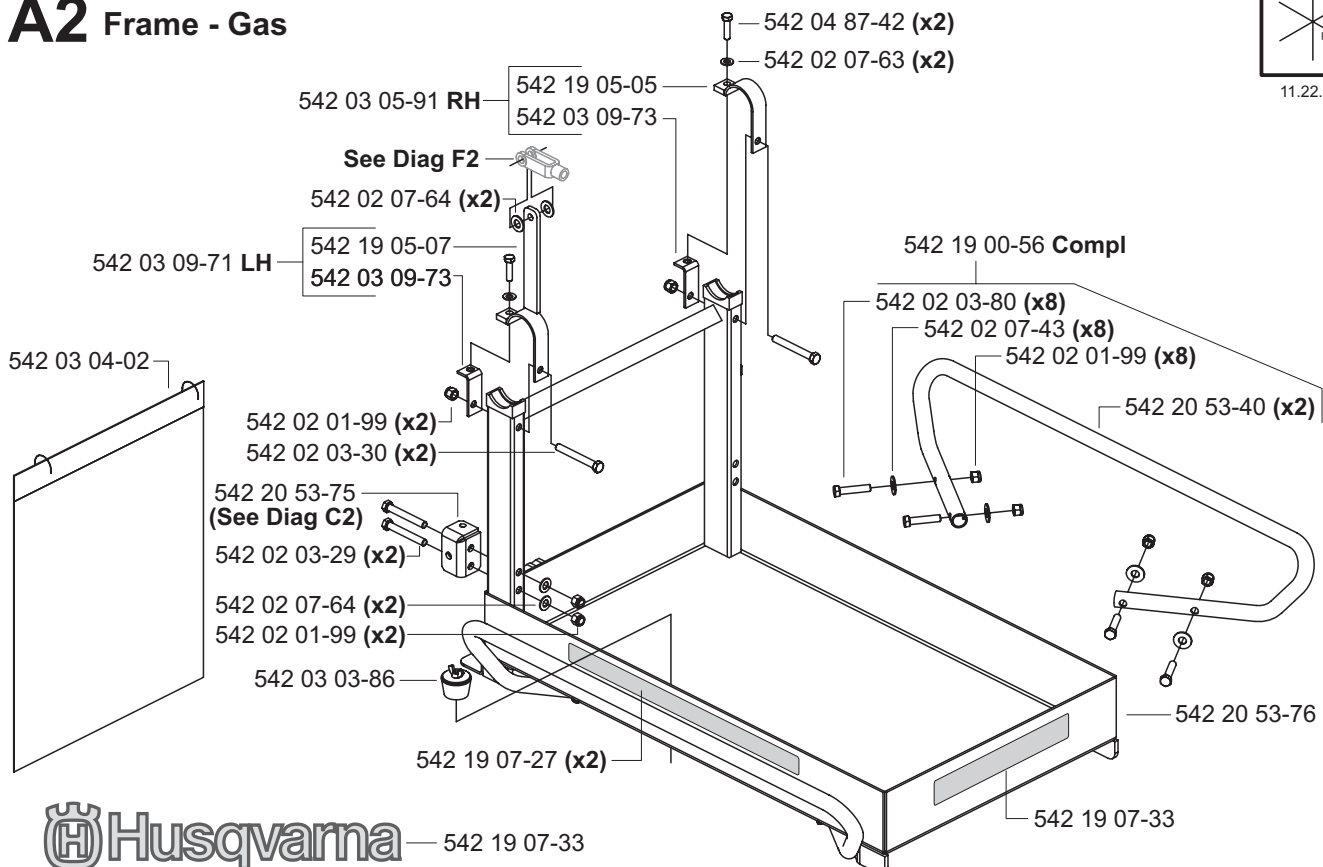


TARGET PORTASAW TS 355 — 542 19 07-28 (x2)

A2 Frame - Gas



11.22.06



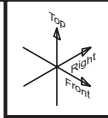
542 19 07-33



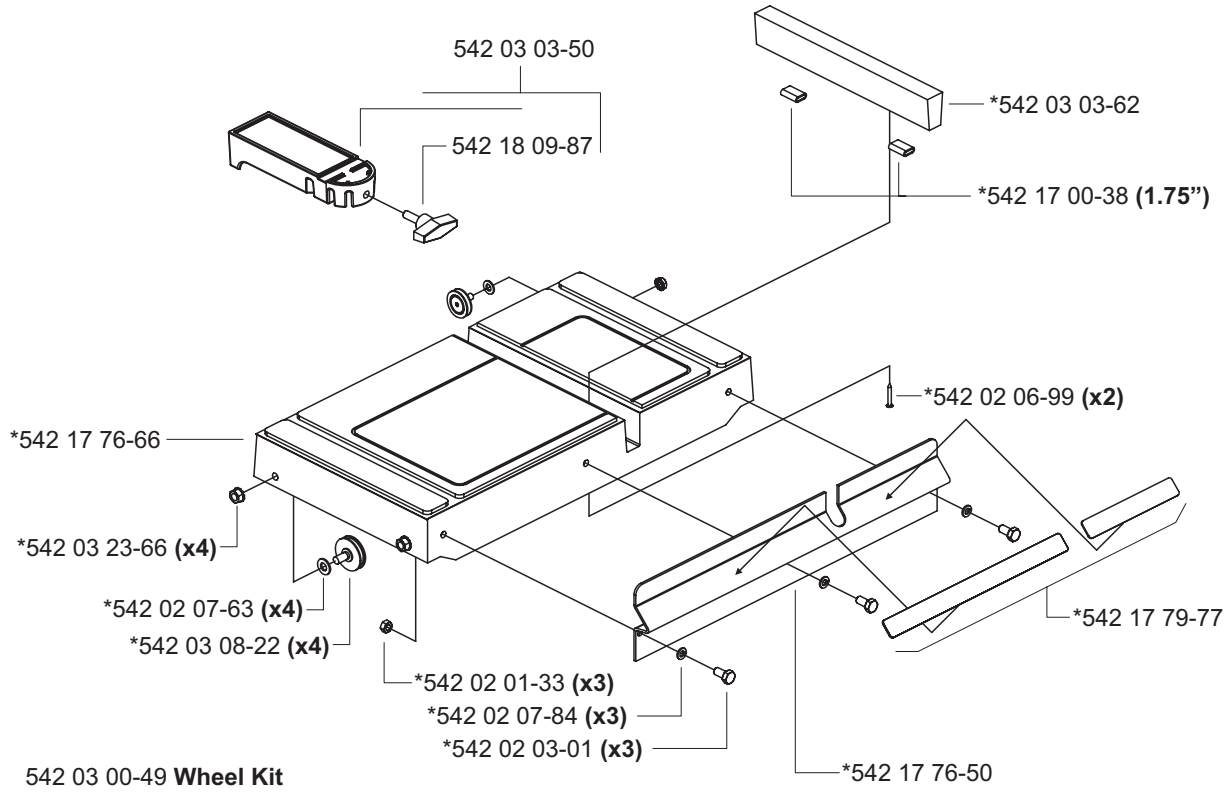
TARGET PORTASAW TS 355G — 542 19 07-27 (x2)

B1 Conveyor Cart - TS 355 Electric

*542 03 03-43 Compl

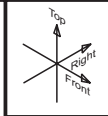


12.07.06

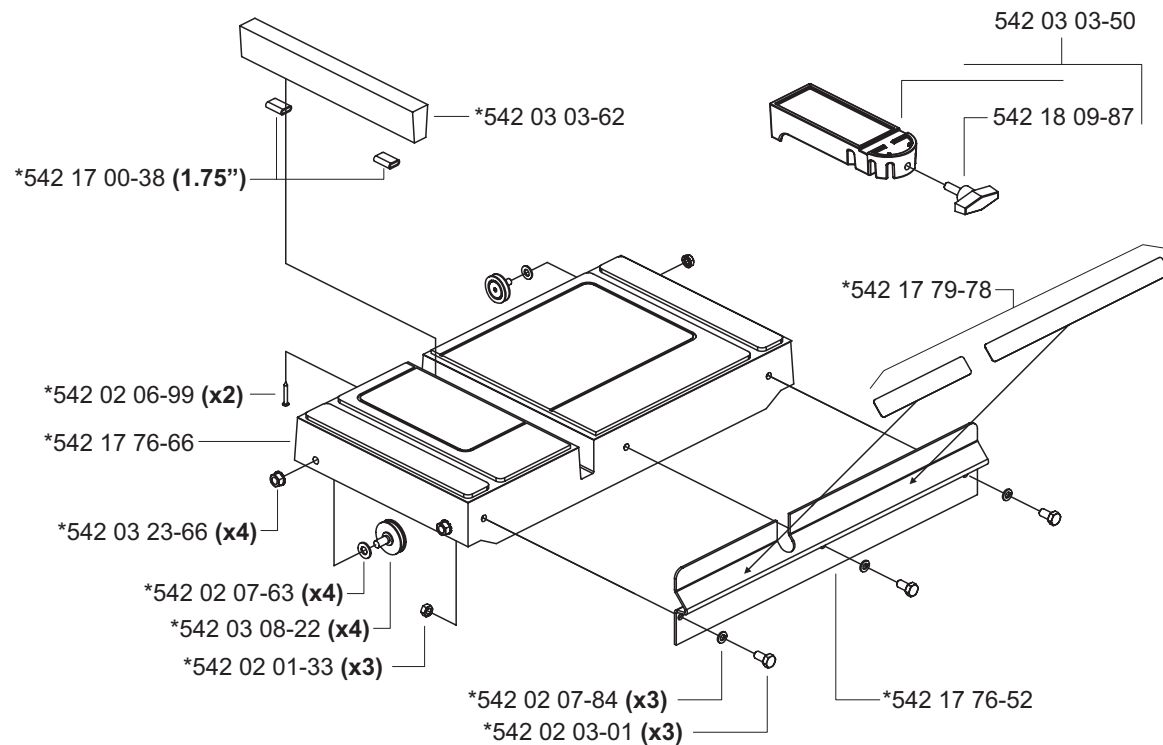


B2 Conveyor Cart - TS 355 Gas

*542 17 73-03 Compl

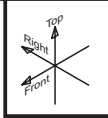


12.07.06

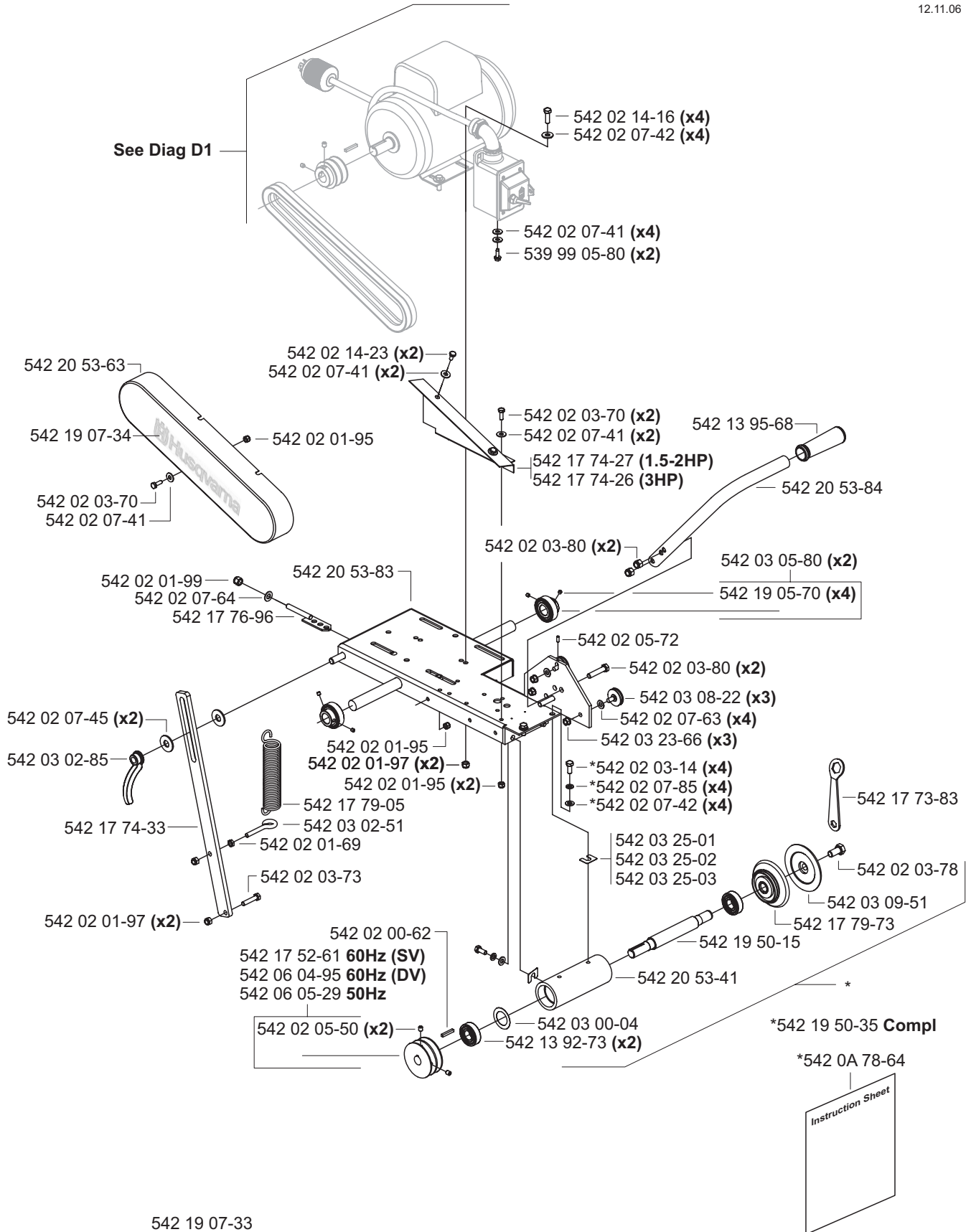


542 03 00-49 Wheel Kit

C1 Head Platform - Electric



12.11.06

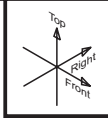


Instruction Sheet

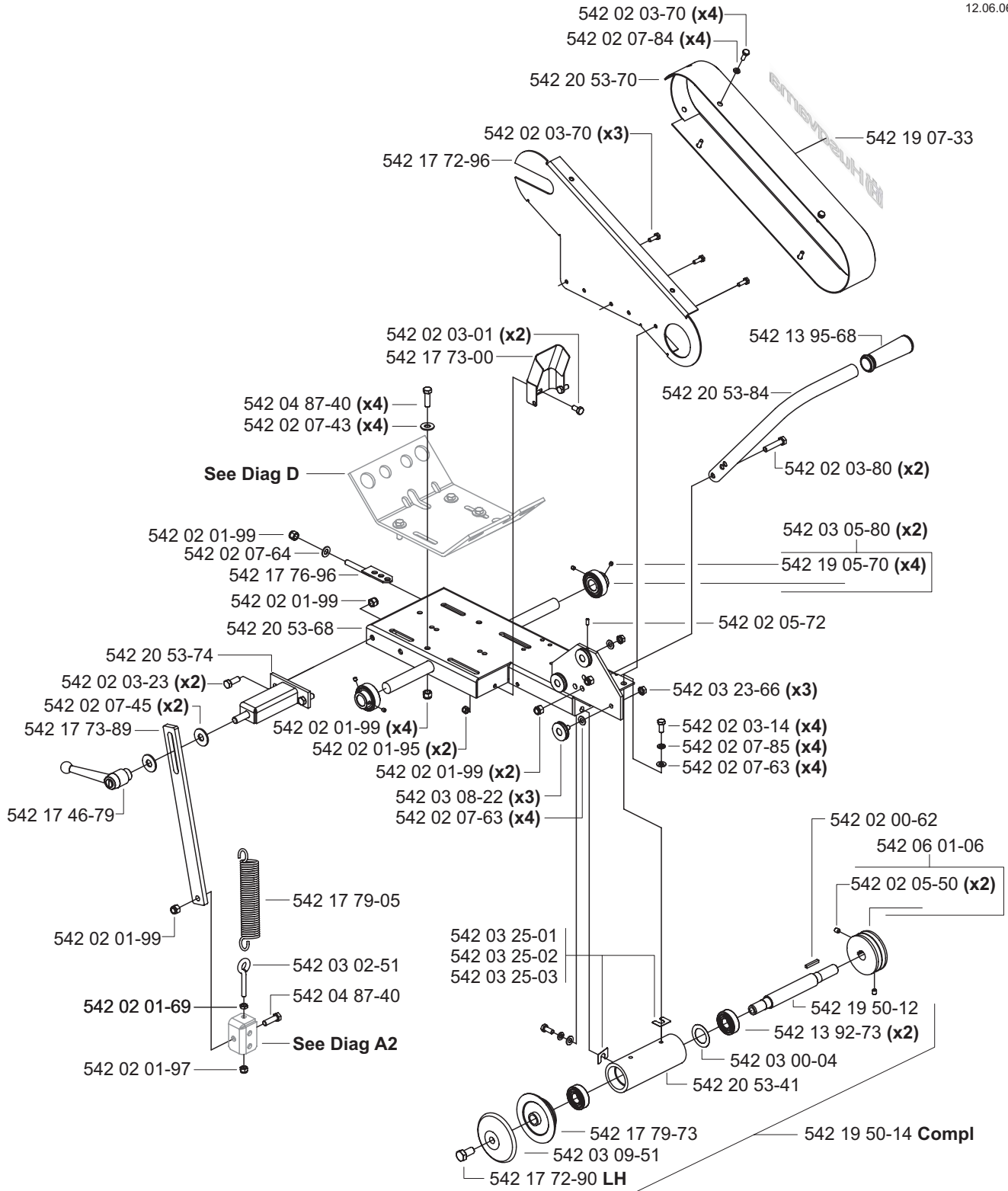
542 19 07-33



C2 Head Platform - Gas



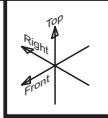
12.06.06



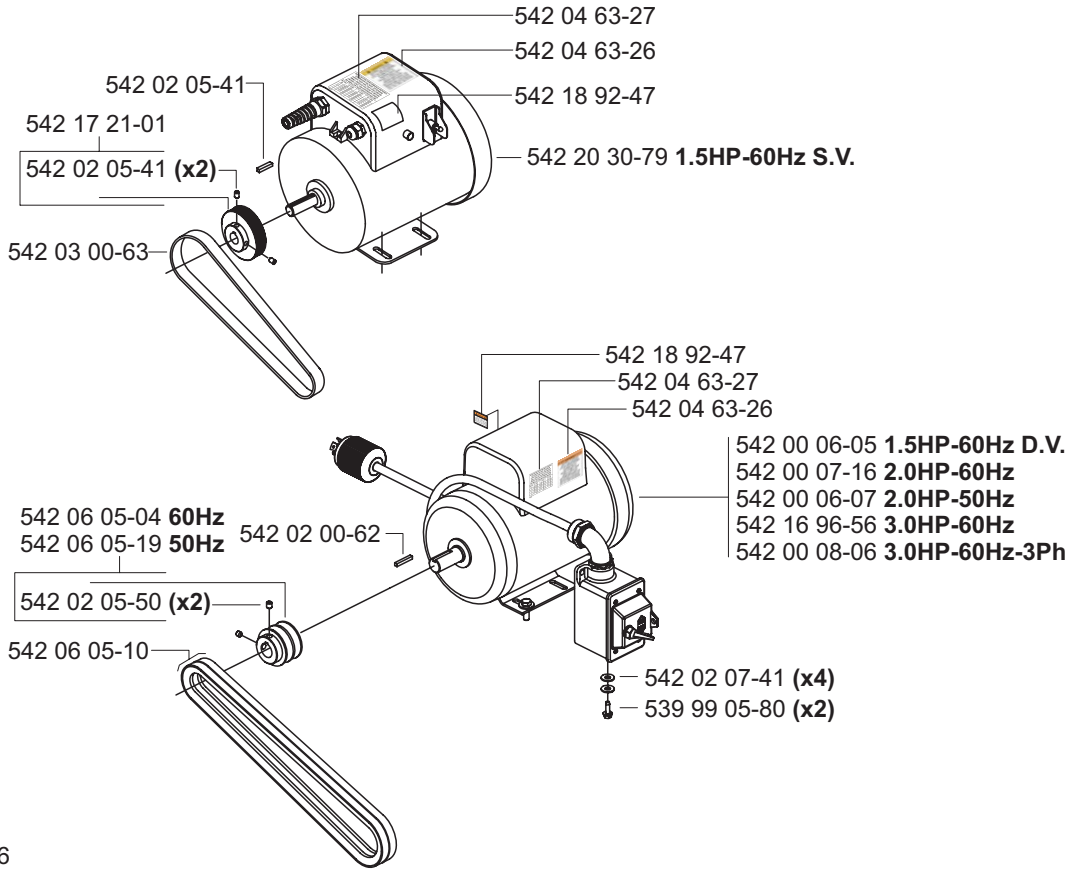
542 19 07-33



D1 Motors - Electric



12.11.06



542 04 63-26

542 04 63-27

542 18 92-47

WARNING
EQUIPMENT IS FURNISHED WITH A 3 WIRE GROUNDING PLUS RE CERTAIN EQUIPMENT IS CONNECTED TO A GROUNDING CIRCUIT. FAILURE TO COMPLY COULD RESULT IN DEATH OR SERIOUS BODILY INJURY. SEE OPERATOR'S MANUAL FOR INSTRUCTIONS. IF YOU DO NOT HAVE AN OPERATOR'S MANUAL, CALL TOLL FREE 1-888-388-5946

GOOD MOTOR PERFORMANCE DEPENDS ON PROPER VOLTAGE. OVERVOLTAGE LOWERS LIFE AND TOO LOW VOLTAGE SMALL REDUCE VOLTAGE TO MOTOR WINDINGS AND EXTENDING MOTOR LIFE. SHALL BE TYPICALLY BELOW.

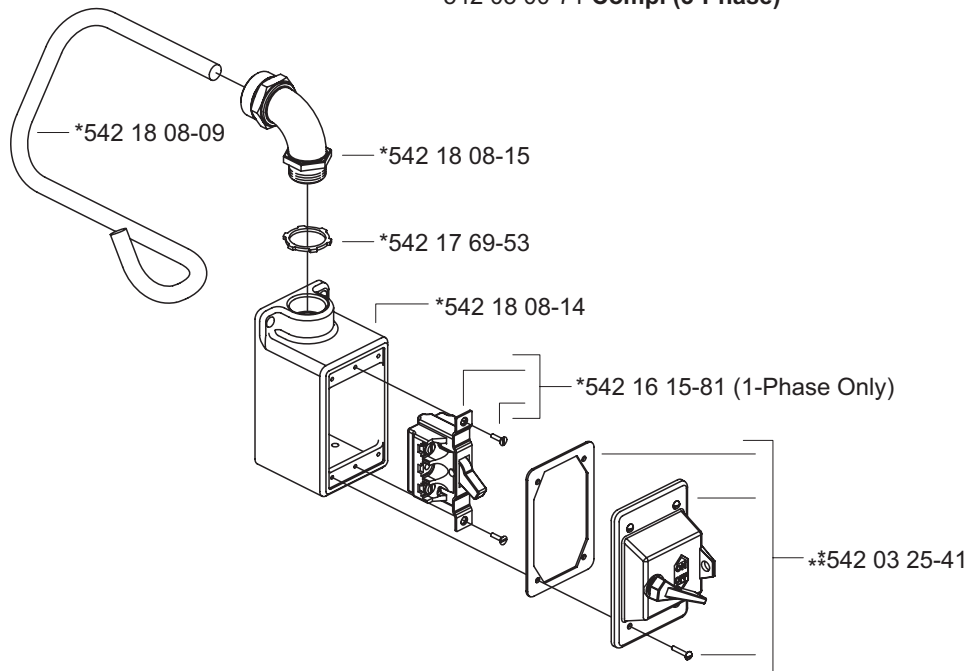
MOTOR	50 CORD	50 CORD	50 CORD
1.5HP	110-120	110-120	110-120
2.0HP	110-120	110-120	110-120
3.0HP	110-120	110-120	110-120
4.0HP	110-120	110-120	110-120
5.0HP	110-120	110-120	110-120

WARNING
OUTLET IS NOT FOR GENERAL PURPOSES. USE ONLY FOR SPECIFIC APPROVED WATER PUMPS.

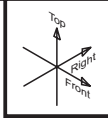
Motor Switch

*542 18 08-10 Compl (1-Phase)
**542 03 00-71 Compl (3-Phase)

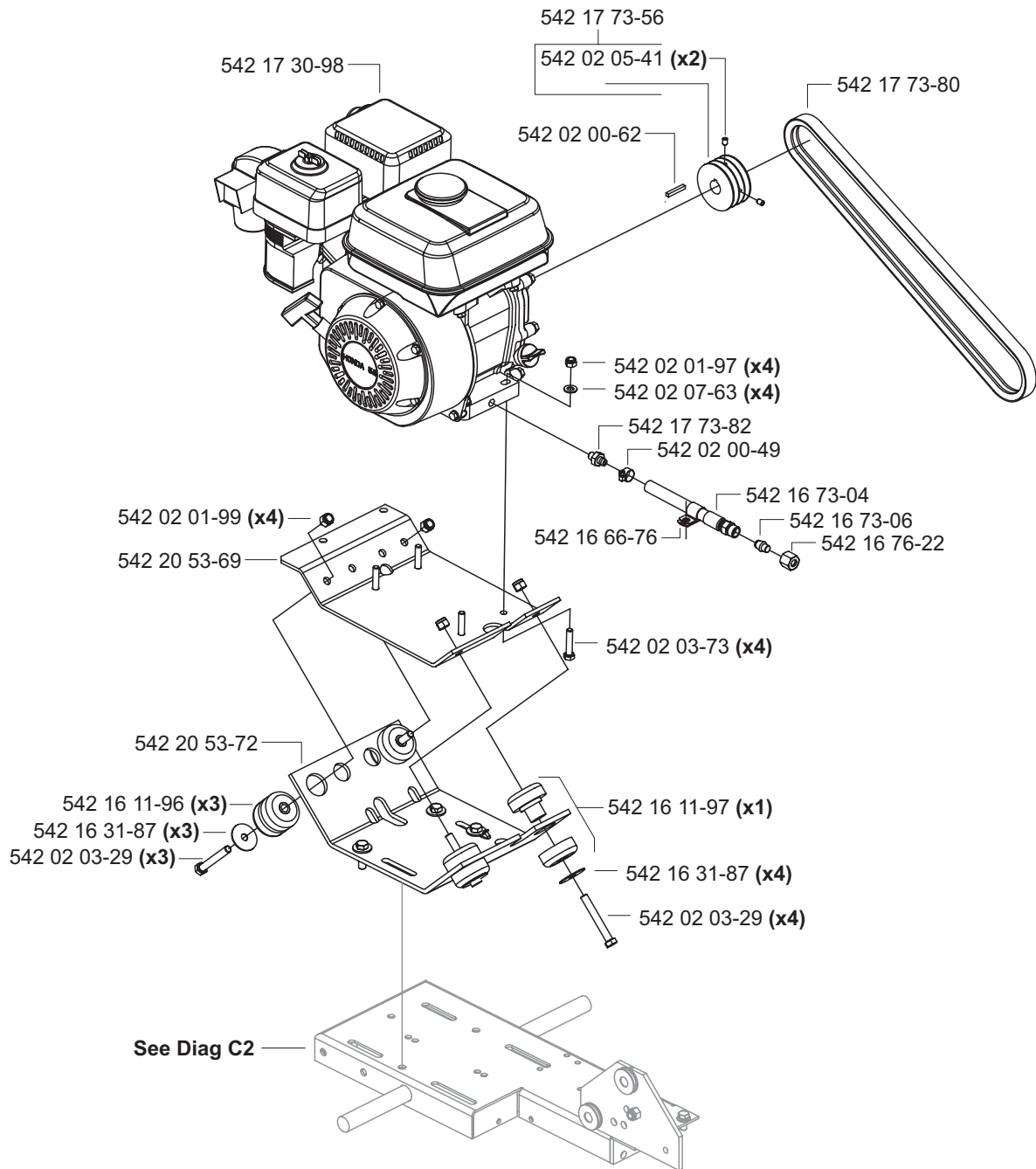
12.11.06



D2 Engine - Gas

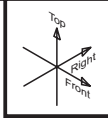


11.27.06

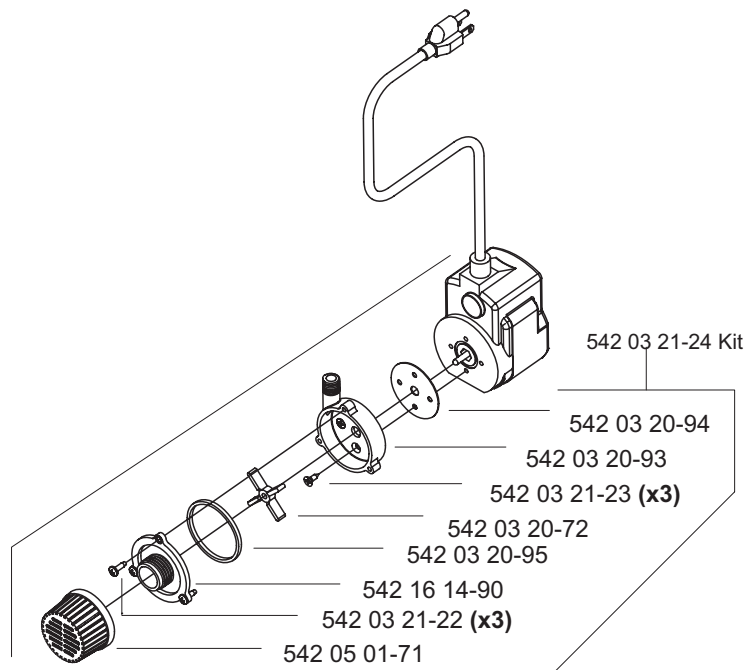
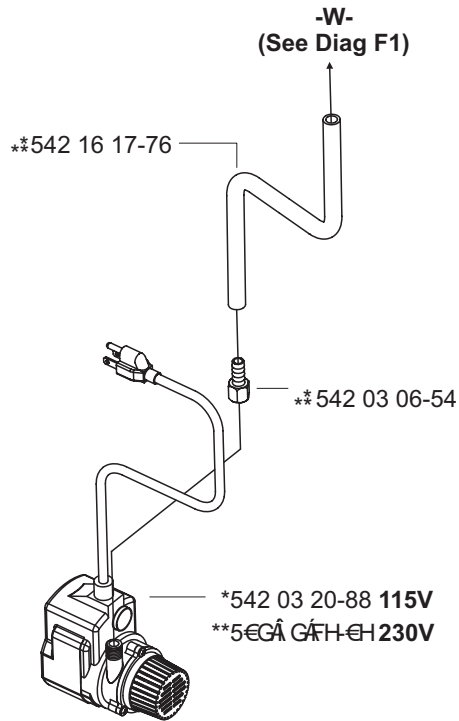


E1 Water Pump

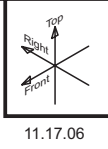
*542 03 26-05 Compl (115V/50-60Hz)
**542 03 26-06 Compl (230V/50-60Hz)



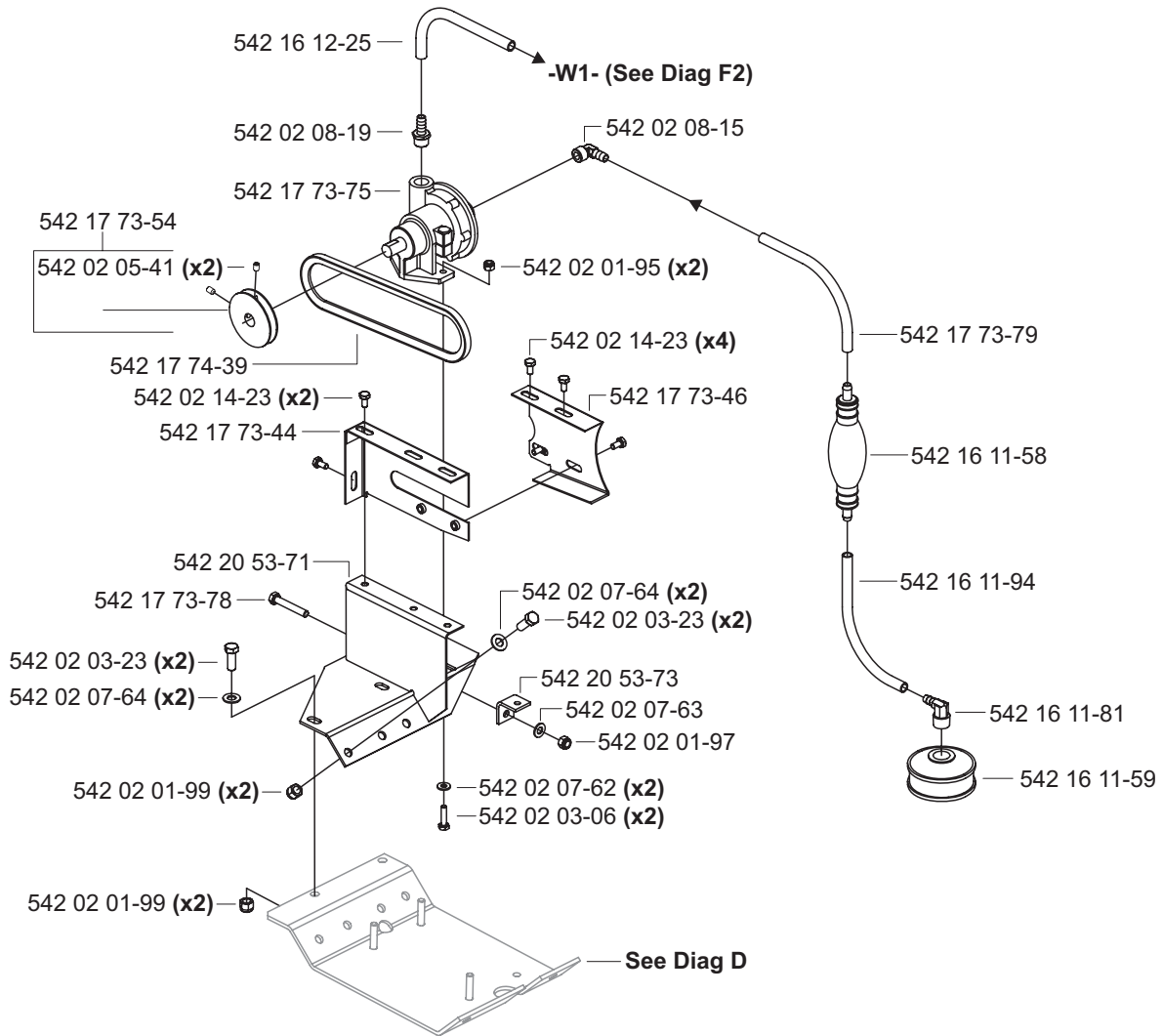
12.11.06



E2 Water Pump - Gas

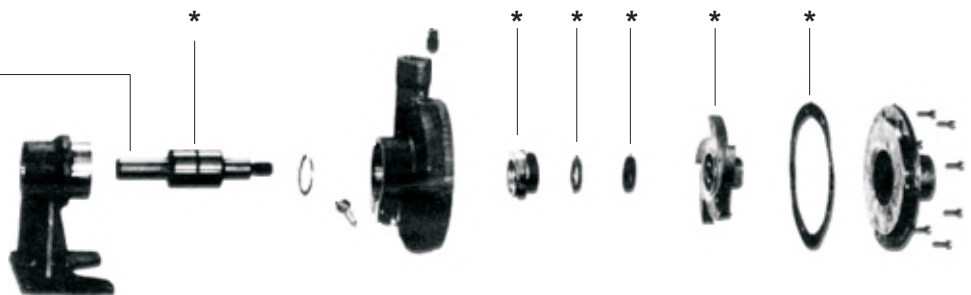
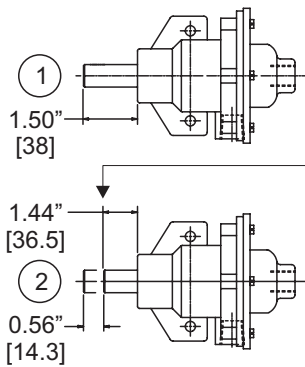


11.17.06



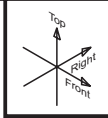
542 17 73-75 (w/ Mod. Shaft) Compl

***542 17 74-24 Kit, Repair**
(Includes 2 shims not shown)

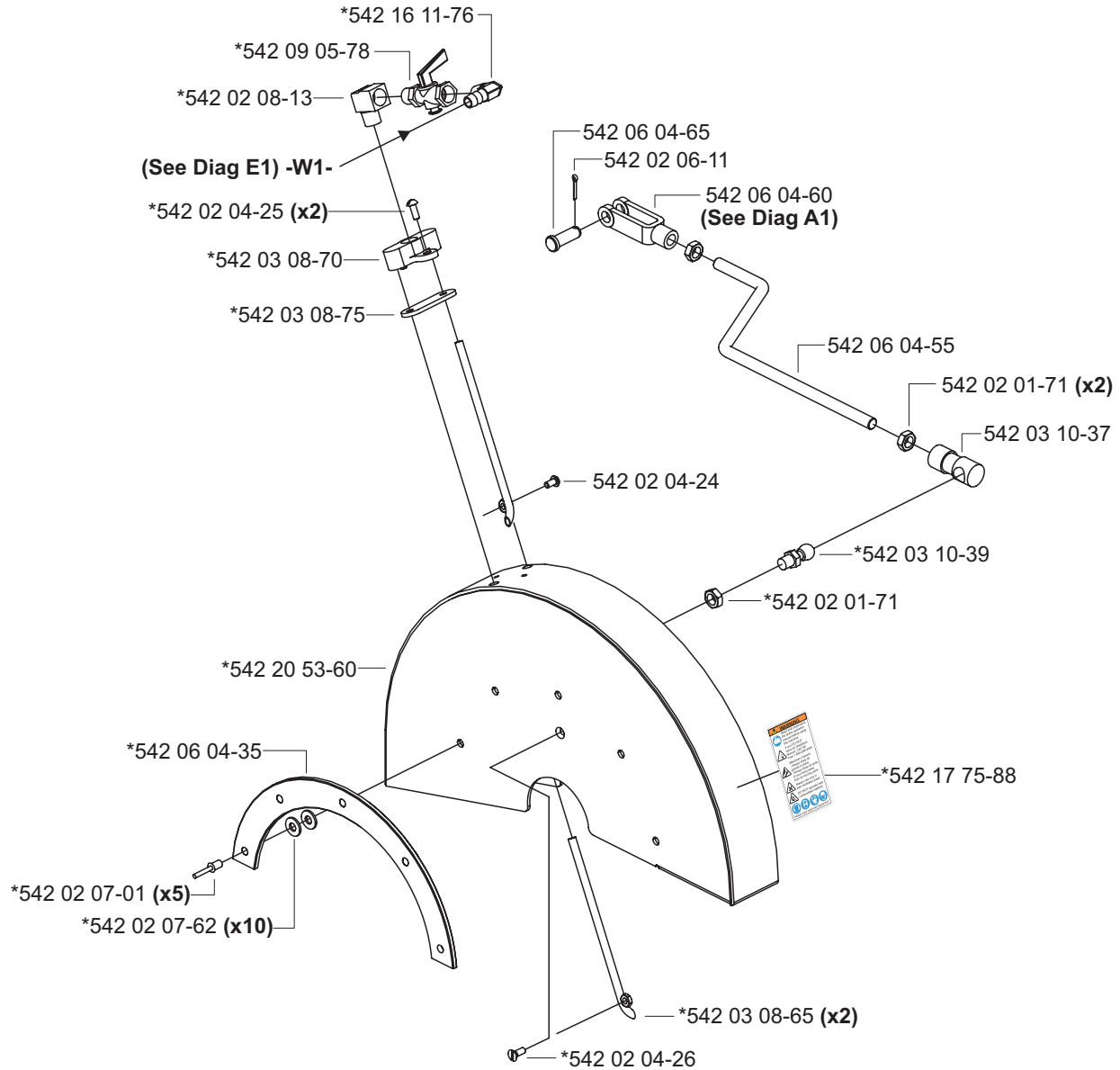


F1 Blade Guard - Electric

*542 16 12-28 14" - Compl



12.07.06



*542 17 75-88

WARNING

Read and understand the entire operators manual before using this machine.

If you DO NOT have an Operators Manual, Call Toll Free 1-800-288-5040

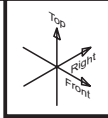
Machinery Hazard

- Always keep all guards in place.
- Always keep all parts of your body away from all moving parts.
- Always use only in well ventilated areas.
- DO NOT operate near combustible material.

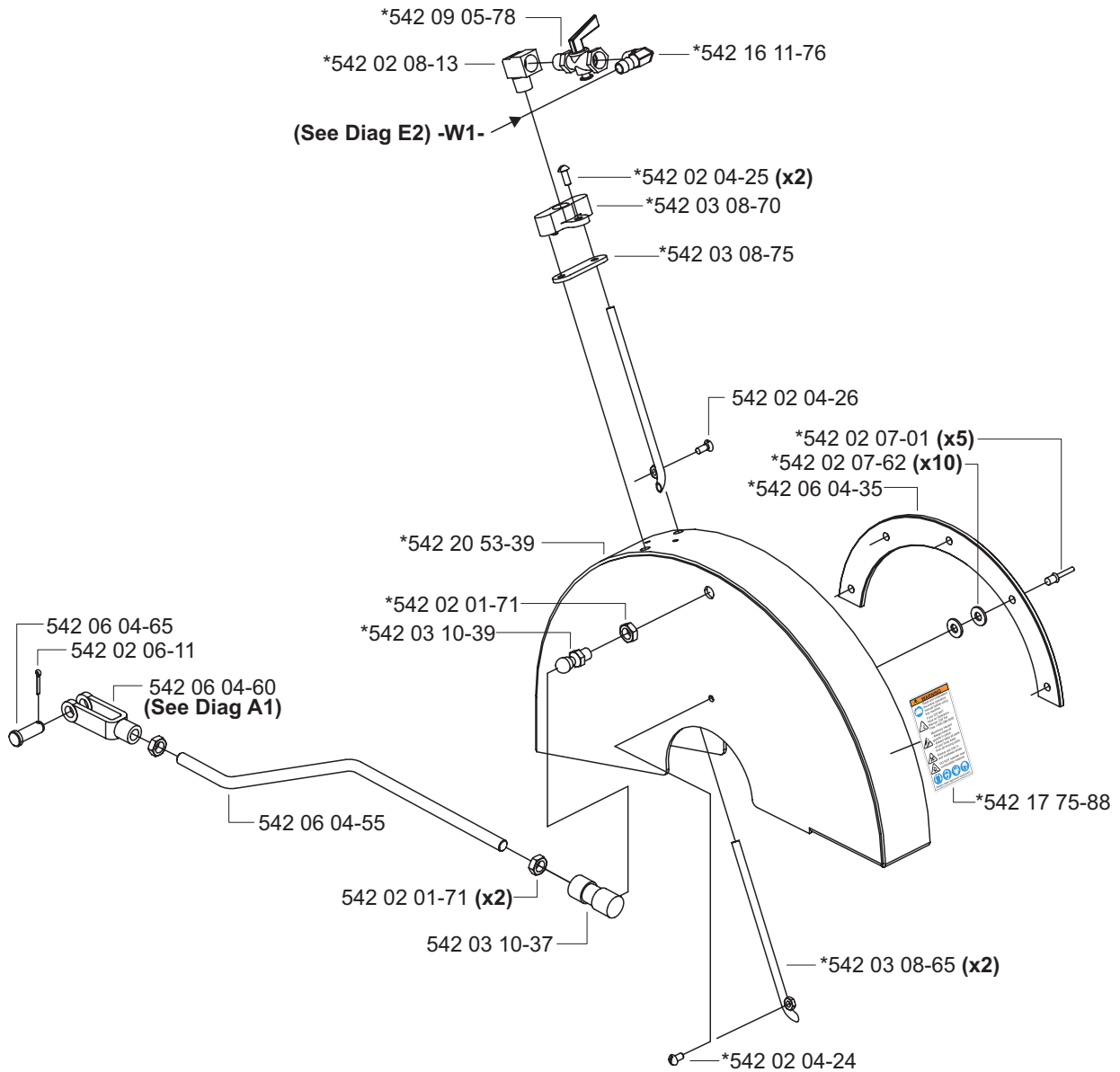
Always wear approved equipment.

F2 Blade Guard - Gas

*542 17 73-74 14" - Compl



12.07.06



*542 17 75-88

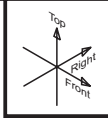
WARNING

- Read and understand the entire operators manual before using this machine.
- If you DO NOT have an Operators Manual, Call Toll Free 1-800-288-5040
- Machinery Hazard - Always keep all guards in place.
- Always keep all parts of your body away from all moving parts.
- Always use only in well ventilated areas.
- DO NOT operate near combustible material.

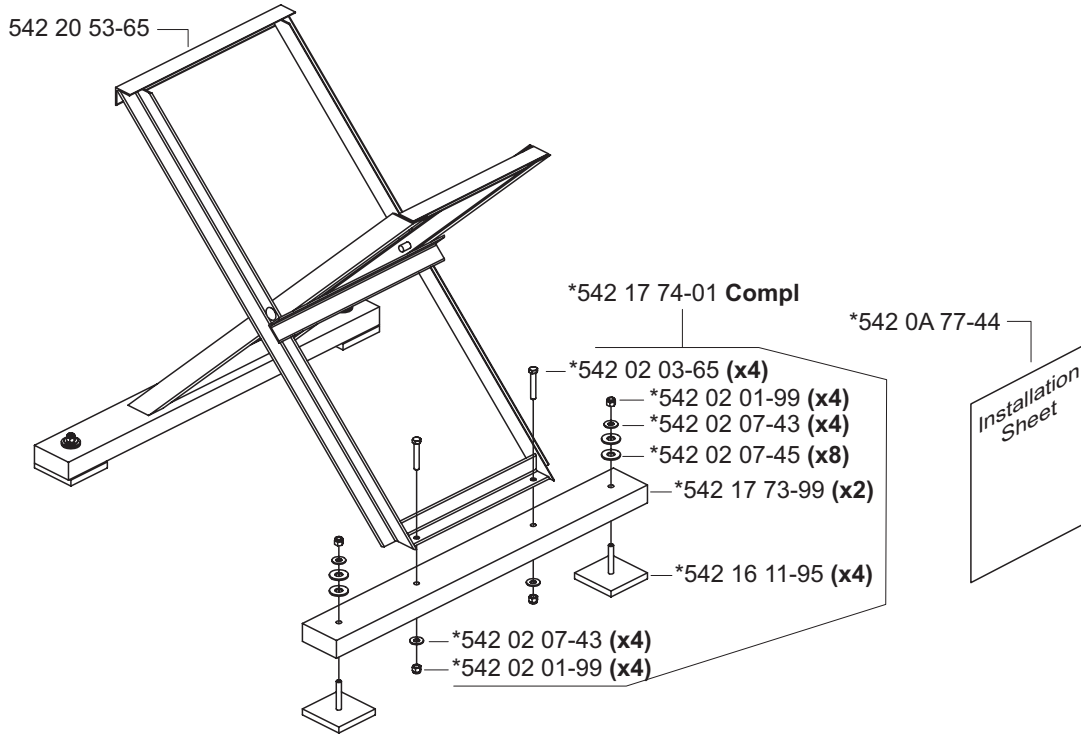
Always wear approved equipment.

G Folding Stand (Optional) - Skid Kit (Optional)

(For Electric & Gas Models)

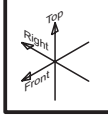


11.14.06

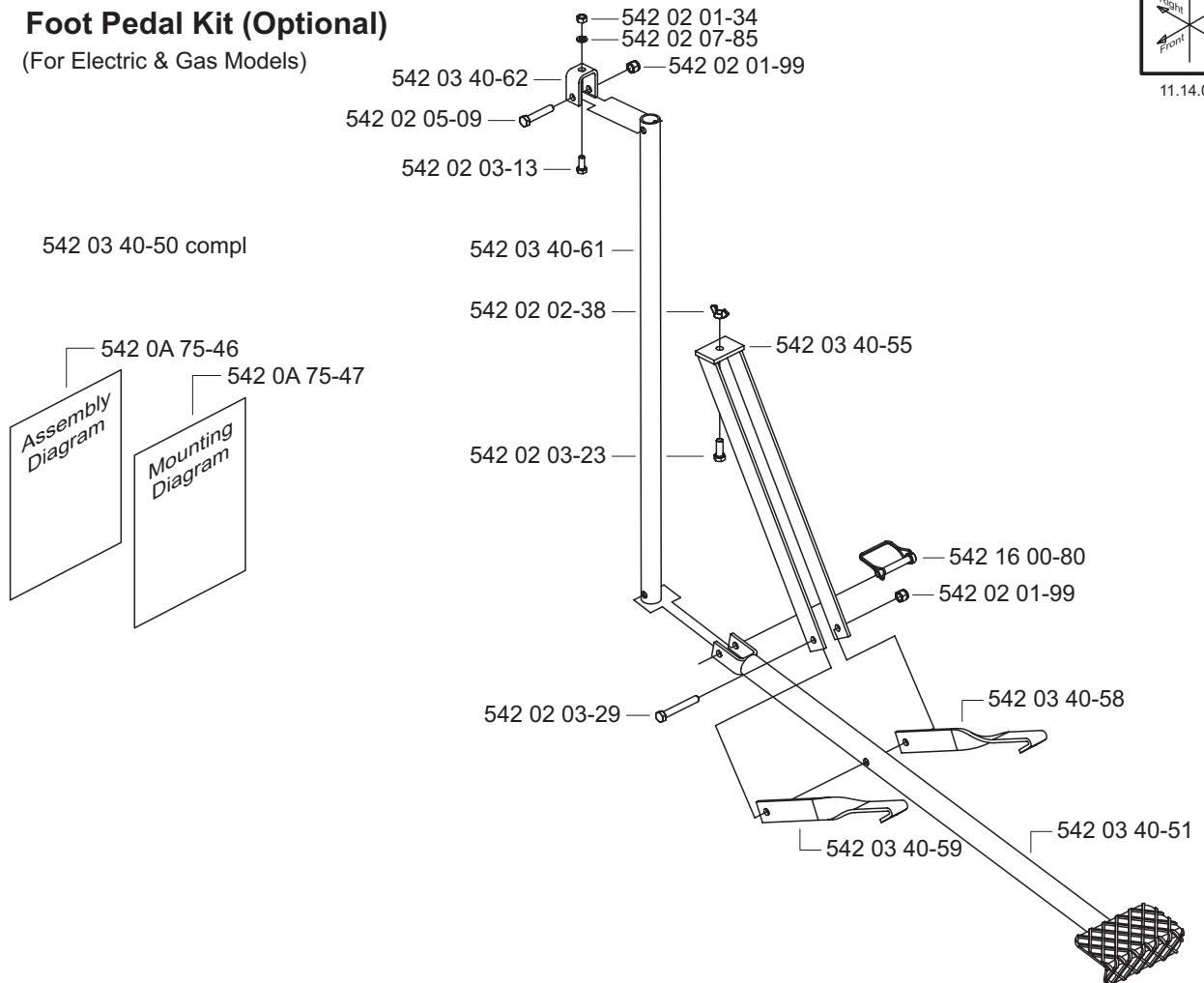


H Foot Pedal Kit (Optional)

(For Electric & Gas Models)



11.14.06



Husqvarna Construction Products N. A.
Corporate Office
17400 West 119th Street
Olathe, Kansas 66061
Tel. 913-928-1000
Fax 913-438-7951

Customer Service: 800-288-5040
Customer Serv. Fax: 800-825-0028



DUST WARNING



Cutting, especially when DRY cutting, generates dust that comes from the material being cut, which frequently contains silica. Silica is a basic component of sand, quartz, brick clay, granite and numerous other minerals and rocks. Exposure to excessive amount of such dust can cause:

- Respiratory diseases (affecting your ability to breath), including chronic bronchitis, silicosis and pulmonary fibrosis from exposure to silica. These diseases may be fatal;
- Skin irritation and rash; and
- Cancer according to NTP* and IARC*
* National Toxicology Program / International Agency for Research on Cancer

Take precautionary steps

- Avoid inhalation of and skin contact with dust, mist and fumes;
- Wet cut when feasible, to minimize dust;
- Wear and ensure that all bystanders wear appropriate respiratory protection such as dust masks designed to filter out microscopic particles. (See OSHA 29 CFR Part 1910.1200)

California Prop 65 Warning:

Use of this product can cause exposure to materials known to the State of California to cause cancer and/or birth defects or other reproductive harm.



Printed in the USA