

TS 250X
TS 250X SS

Spare parts

Pieces de rechange

Piezas de repuesto

TS 250X

PART NO.	POS.	DESCRIPTION	PART NO.	POS.	DESCRIPTION
501 96 53-01	A,A1,A2	Blade Guard 10" - PC H. Orange	542 16 78-70*	D	Screw, SH Shoulder, 1/2"OD x .50, 3/8"-16
504 04 02-01	A,A1,A2	Decal: Husq Crown H, 25mm	542 16 93-65*	A,A1,A2	Guard, Splash
539 30 00-74	I	Set Collar, 1/2" ID	542 16 93-66*	A,A1,A2	Screw, Self-Tap Pan Hd, #8 x 3/8 "B" ZP
539 30 01-23	C	Set Collar, 1" I.D.	542 16 94-86*	A,A1,A2	Knob, 5/16"-18 x 1 4-Prong
539 99 02-09	D	Screw, Hex Hd 5/16"-18 x 1"	542 16 95-22*	A,A1,A2	Flange, Inner
539 99 05-80	B	Screw, Hex Hd 1/4"-20 x 3/4"	542 16 95-23*	A,A1,A2	Flange, Outer
539 99 06-55	C	Bolt, 3/8"-16 x 1-1/2 ZP	542 16 95-41	A2	Motor: 1HP 1425RPM 240/50/1
541 20 05-60	A2	V-Belt, 3VX300	542 16 95-63*	E	Water Tube Assy: 1/4"Y x 32"
541 20 06-49	I	Set Collar, 5/8" ID	542 16 95-64*	E	Water Tube Assy: 1/4"Y x 72"
541 20 15-69	A1	V-Belt, 3VX280	542 16 95-65*	E	Tube, Clear Vinyl 1/4" ID x 6"
541 20 46-69	A,A1,A2	Washer, Spring Wave .531 ID ZP	542 17 10-65*	G	Cutting Accessories Package
541 20 48-00	E	Fitting, 1/4"NPT x 1/4" Hose	542 17 21-01*	A	Pulley 6GJ2.80 - .626 w/SS
542 00 06-05	A1	Mtr: 1.5HP 3450 115/208-230/60/1	542 17 88-25*	A,A1,A2	Flange Bolt, 5/16"-18 x 1 Gr5 ZP
542 00 07-16	A1	Mtr: 2.0HP 3450 115/208-230/60/1	542 18 08-10*	A1	Switch Box Assy w/ Wiring
542 02 00-11*	G	Carriage Bolt, 1/4"-20 x .625 ZP	542 18 70-43*	A,A1,A2	Decal: Warning
542 02 00-60*	A,A1,A2	Key, .1875 Sq x 1	542 18 91-15*	B	Capscrew, Hex Hd, 1/4"-20 x 5/8", 316SS
542 02 01-27*	A,A1,A2	Carriage Bolt, 5/16"-18 x 3, GR5 ZP	542 18 91-16*	B	Locknut, Fiber 1/4"-20, 316SS
542 02 01-95*	A,A1,A2,B	Locknut, Fiber 1/4"-20 ZP	542 18 92-47*	A,A1,A2	Decal: Water Pump Outlet
542 02 01-97*	A,A1,A2,C	Locknut, Fiber 5/16"-18 ZP	542 18 96-60*	A,A1,A2	Flange Bolt, 1/4"-20 x 1/2" Gr5 ZP
542 02 02-01*	I	Locknut, Fiber 1/2"-13	542 18 96-61*	A,A1,A2	Cap, Bearing
542 02 02-45*	A,A1,A2	Locknut, Wing 5/16"-18 ZP	542 18 97-37*	F,G,H	T-Knob 1/4"-20 x 3/4"
542 02 03-18*	C	Capscrew, Hex Hd, 5/16"-18 x 2.25 GR 5 ZP			
542 02 03-39*	I	Capscrew, Hex Hd 1/2"-13 x 1"	542 19 07-36	F	Decal: HUSQVARNA, 4" Domed
542 02 03-70*	A1	Capscrew, Hex Hd, 1/4"-20 x .75 GR 5 ZP	542 19 07-41	B	Decal: Husq Target TA TS250X
542 02 04-41*	A,A1,A2	Capscrew, Hex Hd, 5/16"-18 x 1.75 GR 5 ZP	542 19 37-94*	C	Decal: Drain Plug
542 02 04-89*	C	Screw, Self-Tap Hex WH, 1/4"-20 x .75 "F"	542 19 38-30*	A,A1,A2	Flange Bolt, 1/4"-20 x 3/4" Gr5 ZP
542 02 05-40*	A1	Set Screw, Soc Hd, 1/4"-20 x 1/4" Cup	542 19 38-33*	A,A1,A2	Shaft, Blade
542 02 05-41*	A,A1	Set Screw, Soc Hd, 1/4"-20 x 3/8 Cup	542 19 38-66	B	Pan, Tile Saw, Galv
542 02 05-41*	A	Set Screw, Soc Hd, 1/4"-20 x 3/8 Cup	542 19 38-70	A,A1,A2	Adjustment Cam, ZP
542 02 05-50*	A1,A2	Screw, Socket Hd, 5/16"-18 x 3/8	542 19 39-16	D	Extension, Cart
542 02 06-43*	C	Pin, Roll 1/4" x 1.25	542 19 39-19	A,A1	Pin, Roll .156 x 1.00
542 02 07-39*	A,A1,A2	Washer, Flat #10 (3/16") ZP	542 19 39-20	A,A1	Bolt, Blade Latch, ZP
542 02 07-41*	A1	Washer, Flat 1/4" ZP	542 19 39-37	D	Cart w/ V-Top
542 02 07-42*	A,A1,A2,C,D	Washer, Flat 5/16" ZP	542 19 39-40	D	Roller, Cart Stabilizer
542 02 07-62*	B,C	Washer, Flat SAE 1/4" ZP	542 19 39-41	C	Spring, Torsion
542 02 07-63*	A,A1,A2,D	Washer, Flat SAE 5/16" ZP	542 19 39-44	C	Anchor, Spring
542 02 07-66*	A,A1	Washer, Flat SAE 1/2" ZP	542 19 39-46	C	Lock Bar, ZP
542 02 07-85*	A,A1,A2	Lockwasher, Split 5/16" (M8)	542 19 39-48	B	Rail Support
542 02 07-86*	C	Lockwasher, Split 3/8"	542 19 39-49	B	Rail, Tile Saw, Galv
542 02 14-16*	D	Capscrew, Hex Hd, 5/16"-18 x 1" GR 5 ZP	542 19 39-51	D	Cart Stop
542 03 03-86*	B	Drain Plug Assy	542 20 30-02	B	Pan, Tile Saw - TS 250X SS
542 03 08-22*	D	Wheel, Cart	542 20 30-11	A,A1	Torsion Spring, ZP
542 03 09-06*	A1	Pulley 2G3V2.25 - .875 w/ SS	542 20 30-37	D	Extension Assy, Cart (Optional)
542 03 23-66*	D	Nut, KEPS 5/16"-18 ZP	542 20 30-51	A1	Pulley 2G3V2.0 - .625 w/ SS
542 04 01-26*	I	Wheel, 6.0" OD x .625" B	542 20 30-52	B	Rail, Tile Saw SS
542 04 63-26*	A,A1,A2	Decal, 3-Wire Grounded Plug	542 20 30-56	D	Conveyor Cart Assy
542 04 63-27*	A,A1,A2	Decal, Cord Usages	542 20 30-60	A	Pulley 6GJ1.75 - .626 w/ SS
542 05 01-03*	H	Knob, Adjustment	542 20 30-62	I	Wheel, 4.0" OD x .503" B
542 05 01-05*	H	Stop, Friction	542 20 30-74	I	Axle, 1/2"OD x 14.4"
542 05 01-06*	H	Spring	542 20 30-83	F	Rip Guide Assy
542 05 01-07*	H	Bolt, Locking - B/O	542 20 31-19	D	Wheel, Eccentric, Yellow Zinc
542 05 02-16*	E	Water Pump & Valve, 230V/50-60	542 20 31-22	I	Pin, Clevis 3/8" x 2.50"
542 05 02-18*	E	Water Pump & Valve, 115V/60	542 20 31-80	A,A1	Pad, Resilient, Self Adhesive
542 05 10-10*	G	Protractor Assy, Adj 90 Deg	542 20 31-81	A,A1	Blade Shaft Stop, ZP
542 05 10-20*	G	Guide Assy, Dual 45 Deg	542 20 31-93	A	V-Belt, Poly, 280J6
542 05 10-30*	G	Bullnose Guide Assy, 45 Deg	542 20 32-18	A,A1,A2	Nut, Flange, 5/16"-18 Tensilock
542 05 10-61*	C	Pan Stop ZP	542 20 32-52	I	Stand, Tile Saw - PC H. Gray
542 05 10-64*	C	Assy, Pan Stop	542 20 32-53	I	Stand, Adj Rolling - H. Gray
542 05 10-65*	C	Tab, Plastic	542 20 53-85	A,A1,A2	Bracket, TS Belt Guard Mtg, Z/P
542 05 80-02*	A2	Pulley 1G3V1.9 - .625 w/ SS	542 20 53-87	A,A1,A2	Belt Guard - PC H. Orange
542 05 80-52*	A2	Pulley 1G3V3.67 - .625 w/ SS	542 20 53-91	C	Frame Weld, TS250X - PC H. Gray
542 07 10-81*	A,A1,A2	Bearing, .669 BB	542 20 53-92	A,A1,A2	Head Platform - PC H. Gray
542 07 11-10*	A,A1,A2	Washer, Spring	542 20 54-45	A,A1,A2	Blade Guard Assy - TS 250
542 13 95-68*	I	Grip, Handle	542 20 54-46	A,A1,A2	Platform w/Bladeshaft -compl TS 250
542 13 95-81*	I	Spring, Stand	542 20 54-47	A	Cutting Head - compl 1.5HP 115V/60
542 16 10-19*	E	Connector, "Y" 1/4"	542 20 54-48	A	Cutting Head - compl 1.5HP-HT 115V/60
542 16 10-21*	E	Nozzle, Plastic 1/4" x 1.5	542 20 54-49	A1	Cutting Head - compl 1.5HP- 115V/230/60
542 16 10-26*	E	Tube, Clear Vinyl 1/4" ID x 32"	542 20 54-50	B	Water Pan, Galv - compl TS 250X
542 16 11-34*	E	Valve, Flow Control	542 20 54-51	B	Water Pan, SS - compl TS 250X
542 16 13-16*	E	Water Pump & Valve, G300 115V/60			
542 16 14-79*	H	Support Assy, 45 Deg - Blk			
542 16 14-80*	H	Miter Guide, 45 Deg Mighty			
542 16 16-41*	F	Wrench, 15/16", ZP			
542 16 17-19*	E	Tube, Clear Vinyl 1/4" ID x 72"			
542 16 17-30*	A,A1,A2	Bearing Cap W/ Mounting Screws			
542 16 32-48*	A,A1,A2	Strip, Rubber Sponge			
542 16 70-35*	I	Pin, Cotter Hair			

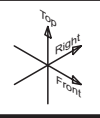
NOTE: Part No's. that have an ASTERISK (*) suffix may not be active 9-digit numbers. The '542' prefix has been added to current 6-digit part numbers and '0' to 7 and 8-digit numbers.

TS 250X

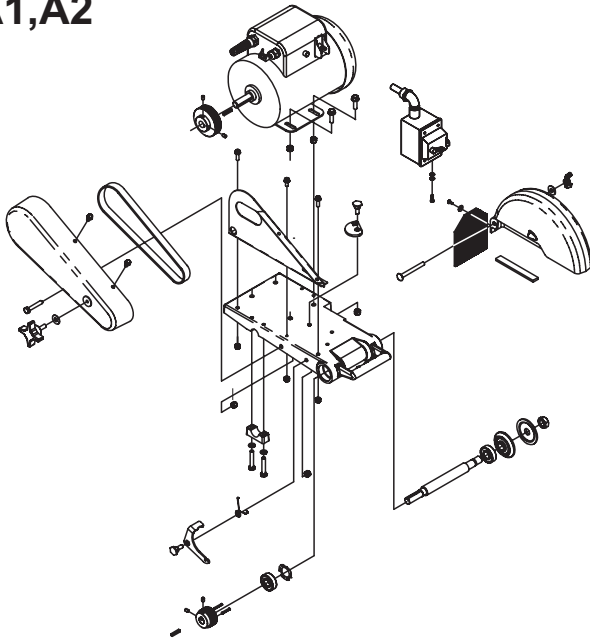
PART NO.	POS.	DESCRIPTION	PART NO.	POS.	DESCRIPTION
			*** Kits ***		
			542 03 21-24*	E	Kit, Water Pump - G300
			542 04 00-49*	D	Kit, Cart Wheel
			542 05 20-04*	A	Kit, Blade Shaft Replacement
			542 16 10-49*	E	Kit, Water Pump - G100 / G150
			542 20 40-33	I	Kit, Wheel - Optional
-- ITEMS NOT SHOWN --					
			542 20 10-99	NS	OM Op Instr: TS 250X
			542 20 11-00	NS	IPL Parts List: TS 250X
			PARTS	For	542 20 30-79 Motor (S.V.)
					1.5HP 1725 RPM 115V/60/1
			542 20 30-93	NS	Switch, On-Off
			542 20 30-95	NS	Overload, Manual Reset Thermal
			542 20 30-94	NS	Capacitor, 50 Mfd / 240V (Run)
			542 20 30-96	NS	Capacitor, 189-227 Mfd / 125V (Start)
			PARTS	For	542 19 30-42 Motor (SF 1.15)
					1.5HP 1725 RPM 115V/60/1
			542 19 38-85	NS	Switch, On-Off DPST
			542 03 01-41*	NS	Switch, Dual Voltage Toggle
			542 00 08-73*	NS	Overload, Manual Reset Thermal
			542 16 94-94*	NS	Capacitor, 40 Mfd / 370V (Run)
			542 16 94-93*	NS	Capacitor, 270-324 Mfd / 125V (Start)
			PARTS	For	542 00 06-05 Motor (D.V.)
					1.5HP 3450 RPM 115V-230/60/1
			542 16 15-81*	NS	Switch, On-Off DPST
			542 03 01-41*	NS	Switch, Dual Voltage Toggle
			542 00 08-73*	NS	Overload, Manual Reset Thermal
			None	NS	Capacitor, (Run)
			542 18 91-17*	NS	Capacitor, 485 Mfd / 110V (Start)
			PARTS	For	542 16 95-41 Motor (S.V.)
					1.0HP 1425 RPM 220V/50/1
			542 20 30-93	NS	Switch, On-Off
			542 16 97-50*	NS	Overload, Manual Reset Thermal
			None	NS	Capacitor, (Run)
			542 11 00-58*	NS	Capacitor, 400-480 Mfd / 165V (Start)
See 542 20 10-99 Operator's Manual for Wiring Diagrams					

NOTE: Part No's. that have an ASTERISK (*) suffix may not be active 9-digit numbers. The '542' prefix has been added to current 6-digit part numbers and '0' to 7 and 8-digit numbers.

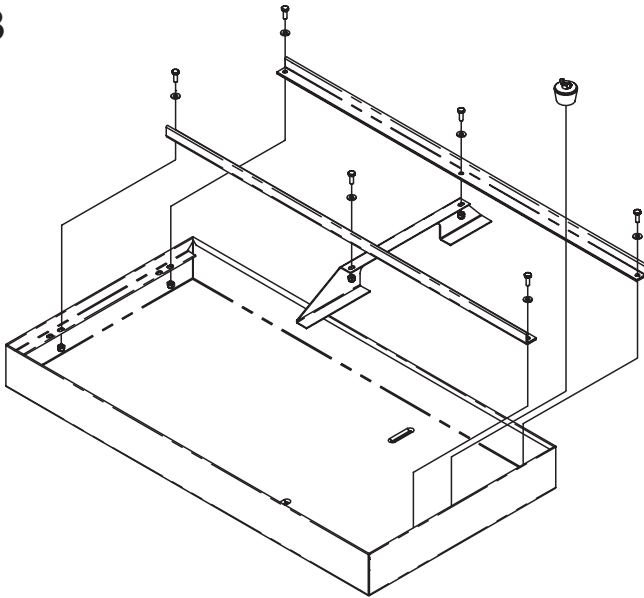
Reference Diagram



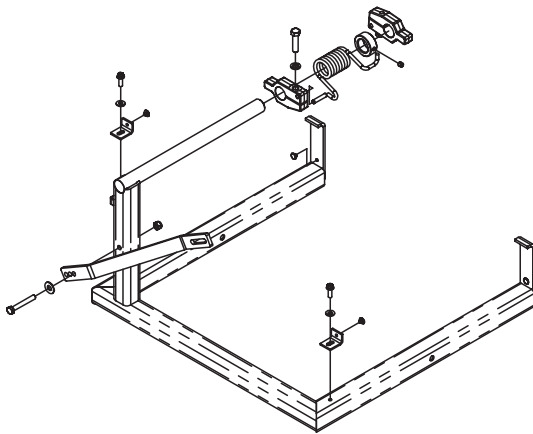
A,A1,A2



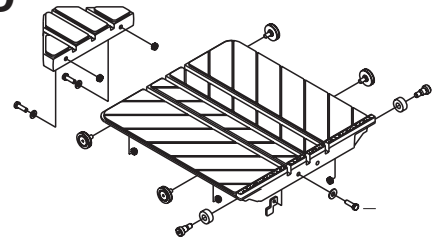
B



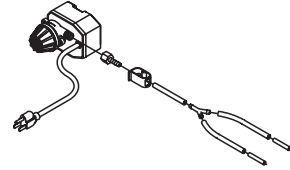
C



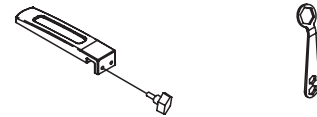
D



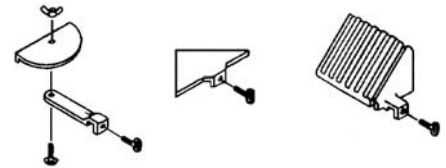
E



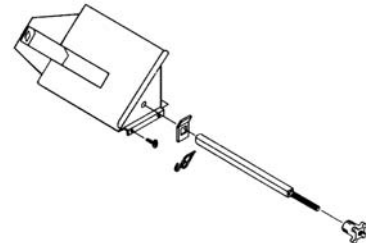
F



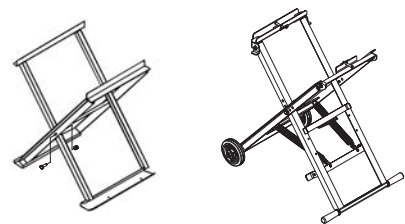
G



H

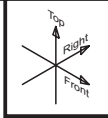


I

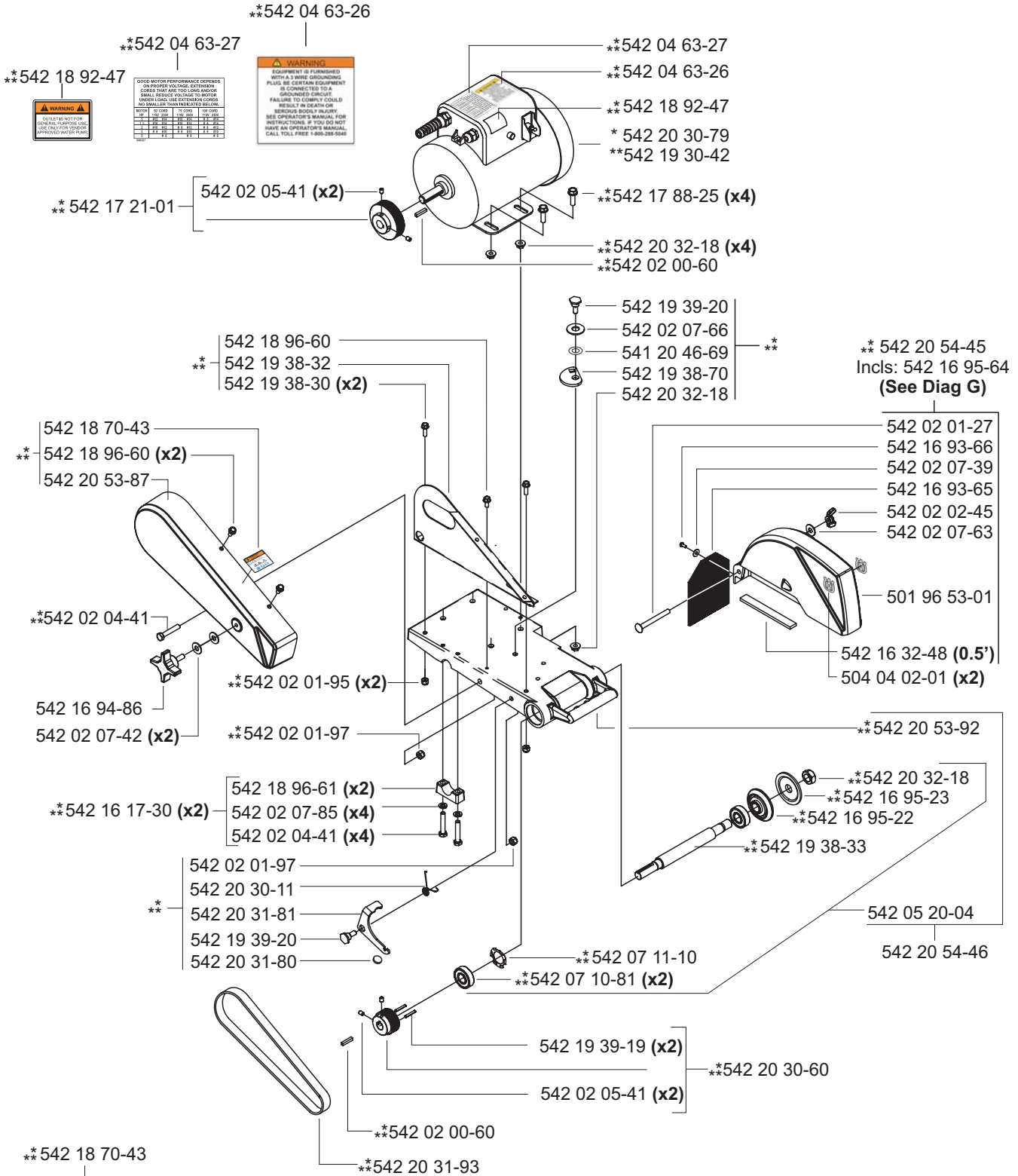


A Cutting Head Assy

* Compl 542 20 54-47 1.5HP (115V/60/1)
 **Compl 542 20 54-48 1.5HP-HT (115V/60/1)



12.06.06



GOOD MOTOR PERFORMANCE DEPENDS ON PROPER VOLTAGE. EXTENSION CORDS THAT ARE TOO LONG AND/OR SMALL REDUCE VOLTAGE TO MOTOR AND CAN CAUSE OVERHEATING AND SHORTEN MOTOR LIFE.

WIRE SIZE (AWG)	100 FT.	150 FT.	200 FT.	250 FT.	300 FT.
14	100	90	80	70	60
12	150	135	120	105	90
10	200	180	160	140	120
8	250	225	200	175	150
6	300	270	240	210	180

WARNING
 EQUIPMENT IS FURNISHED WITH A WIRE GROUNDING PLUG. BE CERTAIN EQUIPMENT IS CONNECTED TO A GROUNDING CORD OR FAILURE TO DO SO COULD RESULT IN DEATH OR SERIOUS BODILY INJURY. SEE OPERATOR'S MANUAL FOR INSTRUCTIONS. IF YOU DO NOT HAVE AN OPERATOR'S MANUAL, CALL TOLL FREE 1-800-388-6848

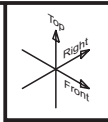
WARNING
 ADVERTENCIA
 AVERTISSEMENT

Read manual.
 Lea el manual.
 Veuillez lire le manuel.

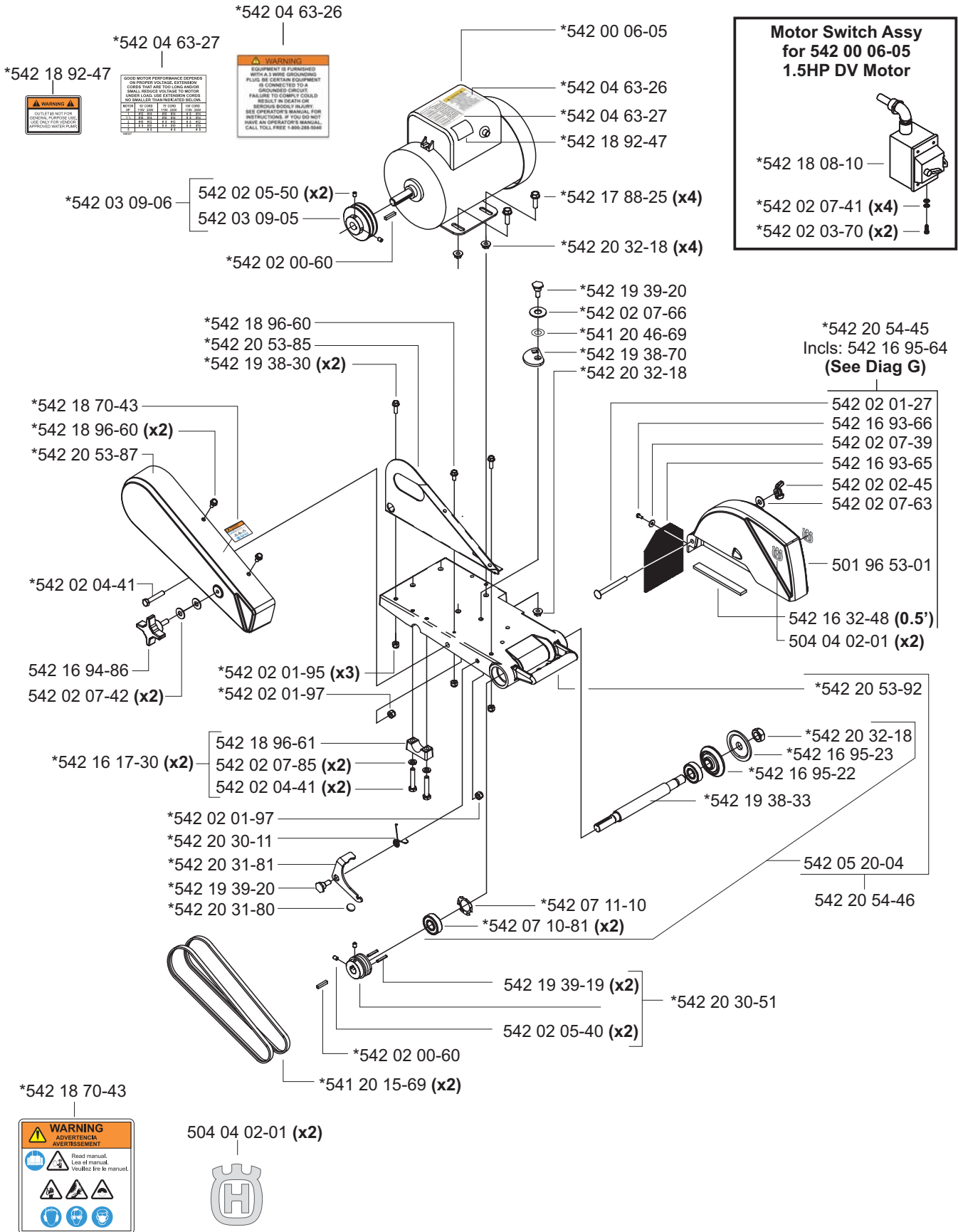


A1 Cutting Head Assy - 1.5HP Dual Voltage

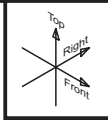
* Compl 542 20 54-49 1.5HP-DV (115V/208-230/60/1)



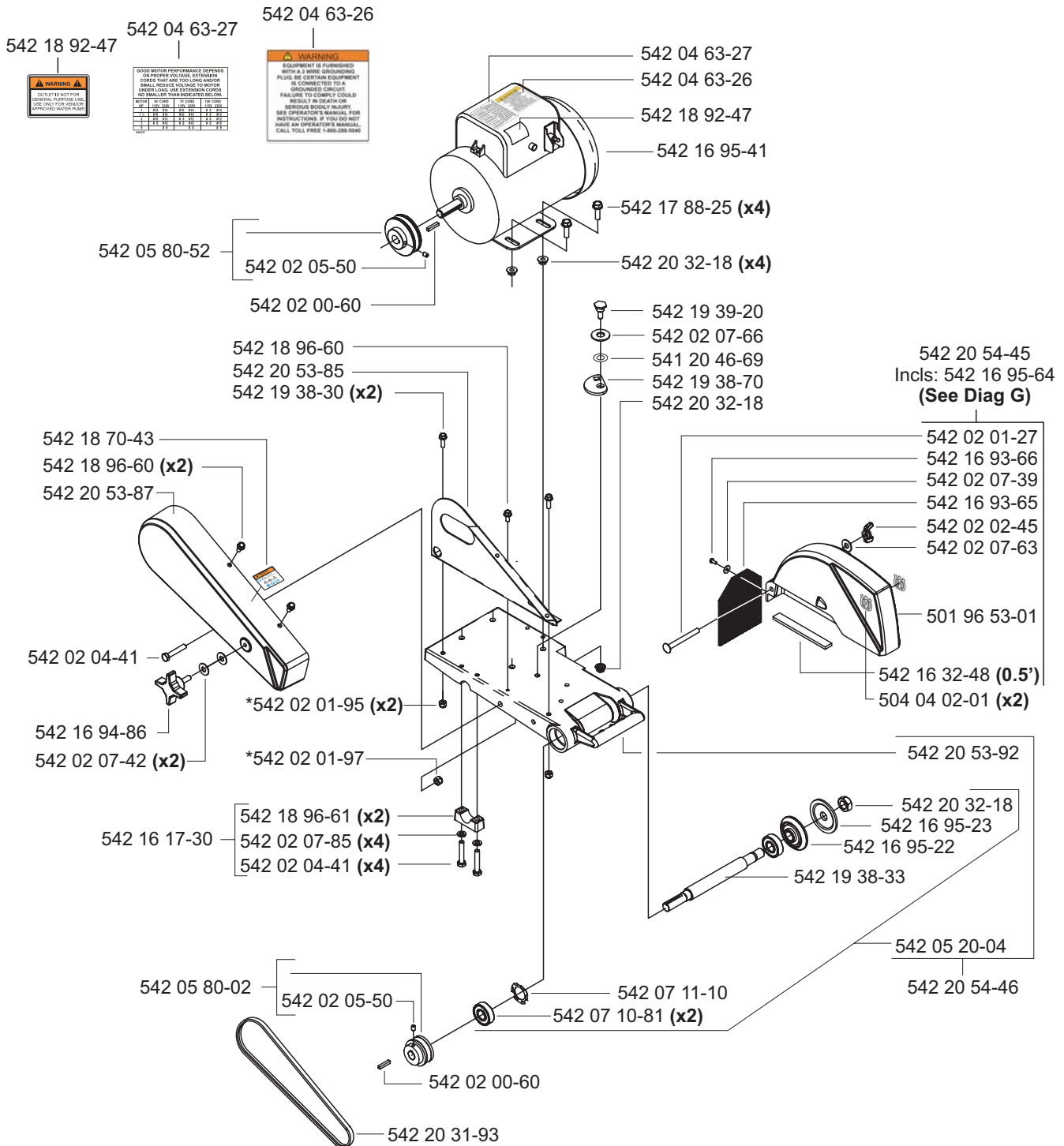
12.06.06



A2 Cutting Head Assy - 1HP (240V/50/1)

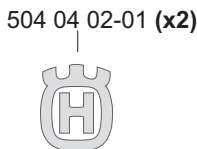


12.06.06



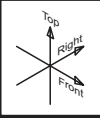
GOOD MOTOR PERFORMANCE DEPENDS ON PROPER TOY AND EXTENSION CORDS THAT ARE TOO LONG AND/OR SMALL GAUGE. USE EXTENSION CORDS NO SMALLER THAN MANUFACTURER'S RECOMMENDATION.

WIRE SIZE	100 FT.	150 FT.	200 FT.
14	10	10	10
12	15	15	15
10	20	20	20
8	30	30	30
6	40	40	40
4	50	50	50
3	60	60	60
2	70	70	70
1	80	80	80

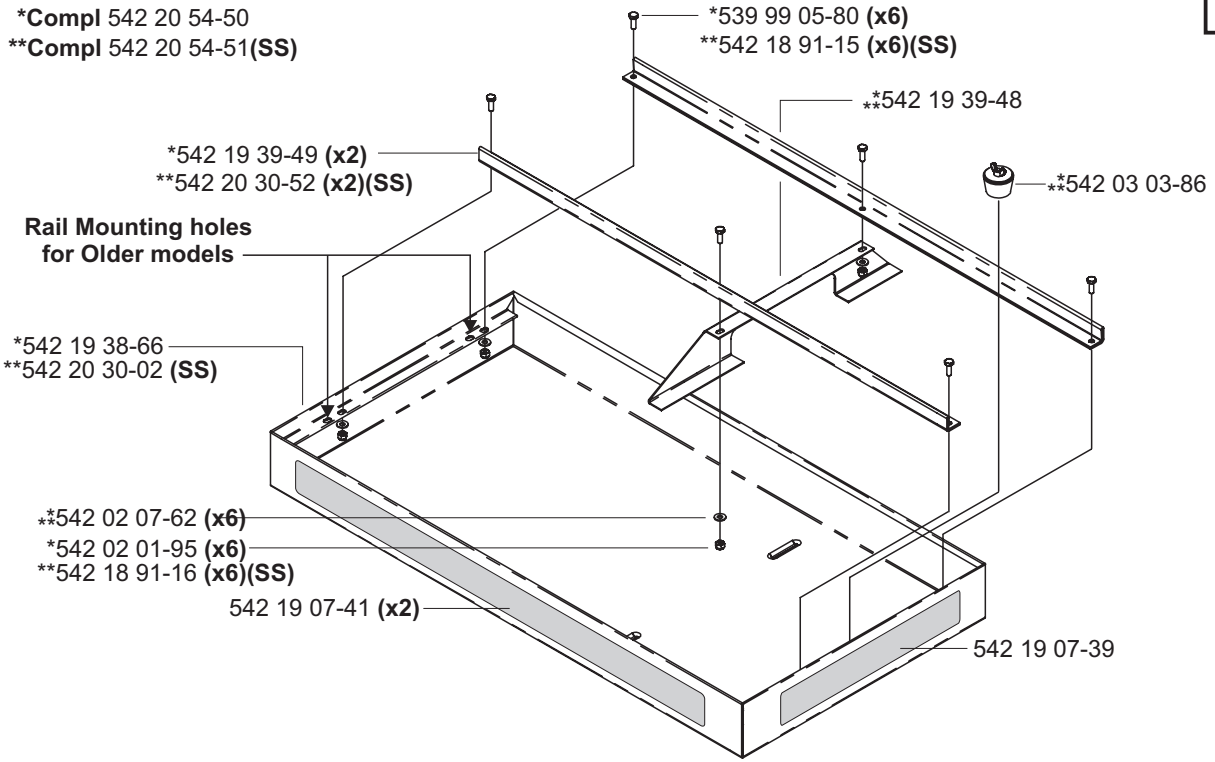


B Water Pan Assy

- *Compl 542 20 54-50
- **Compl 542 20 54-51(SS)



11.21.06

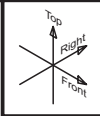


— 542 19 07-39

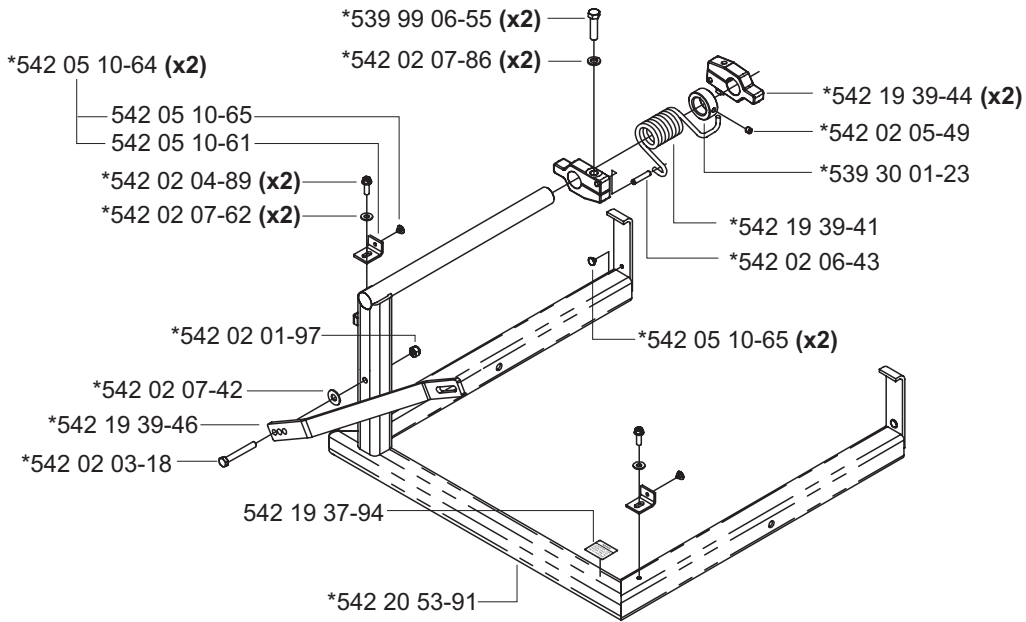


— 542 19 07-41

C Frame Assy - H. Gray



08.02.06



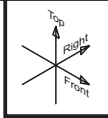
NOTICE
 LOCATION FOR DRAIN HOLE OF WATER PAN TO BE AT THIS END
 P/N 112106

— 542 19 37-94

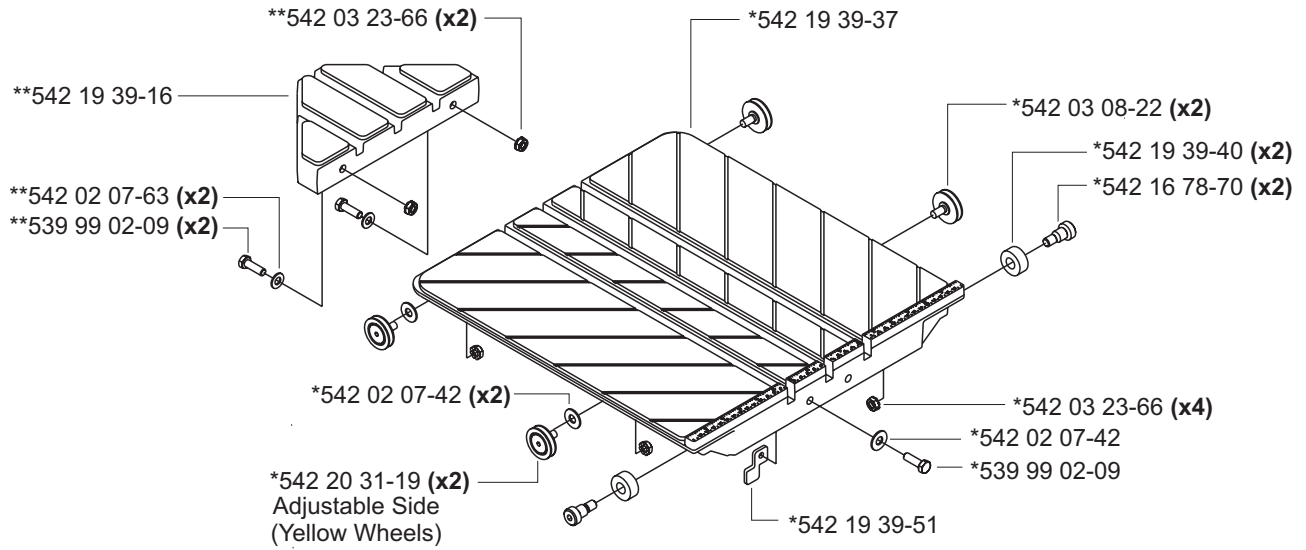
D Conveyor Cart Assy and Extension

*Compl 542 20 30-56

**Compl 542 20 30-37 (Optional Extension)



12.06.06



542 03 00-49 Wheel Kit

E Water Pump & Tube Assy

*Compl 542 05 02-18 (Standard 115V 60Hz)

*Compl 542 16 13-16 (Heavy Duty 115V 60Hz)

*Compl 542 05 02-16 (Heavy Duty 230V 50Hz)

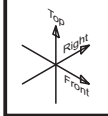
**Compl 542 16 95-63 (32" Tube Assy)

***Compl 542 16 95-64 (72" Tube Assy)

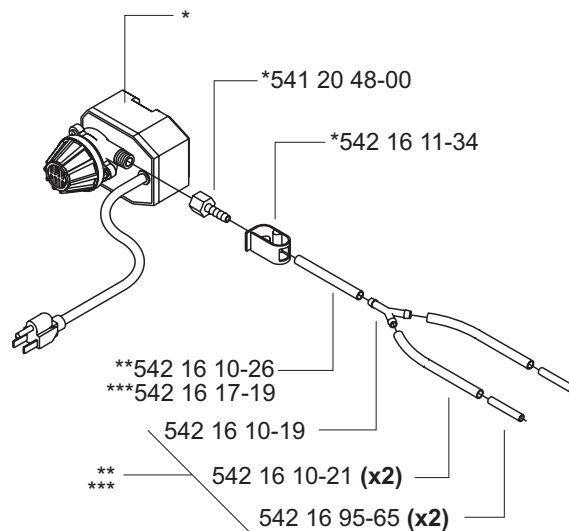
Repair Kits:

542 16 10-49 (G100 Pump - 542 05 02-18)

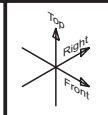
542 16 10-49 (G100 Pump { 542 16 13-16
542 05 02-16)



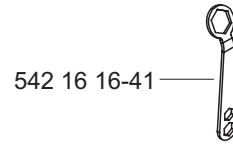
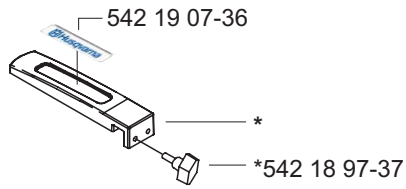
01.13.06



F Tile Saw Accessories and Tools (Standard)



09.13.06



542 19 07-36

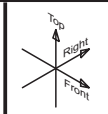
*542 20 30-83
Rip Guide Assy

542 16 16-41
Wrench: 15/16 x 9/16 x 1/2

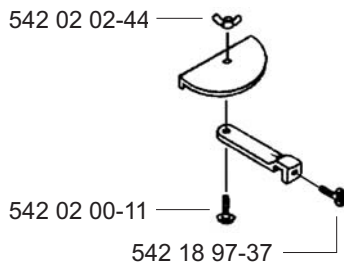


G Tile Saw Accessory Group (Optional)

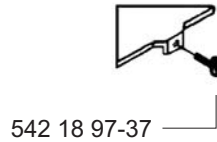
*Compl 542 17 10-65



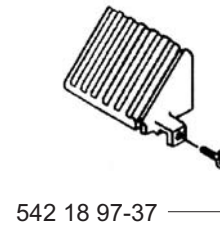
01.28.05



*542 05 10-10
90° Protractor



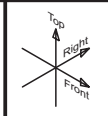
*542 05 10-20
Dual 45° Angle Guide



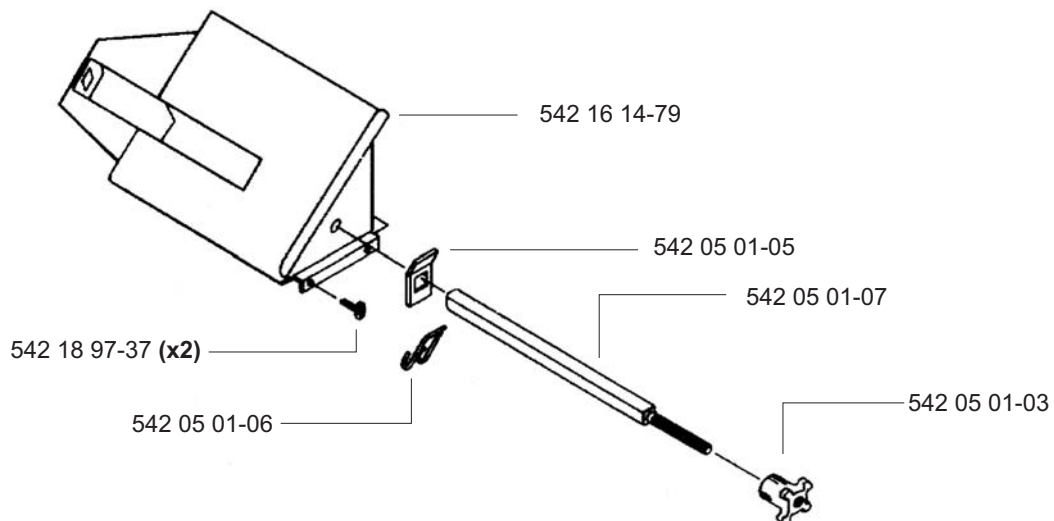
*542 05 10-30
45° Bull Nose Miter

H Tile Saw Accessory (Optional)

Compl 542 16 14-80
45° Mighty Miter

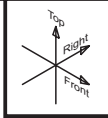


01.28.05

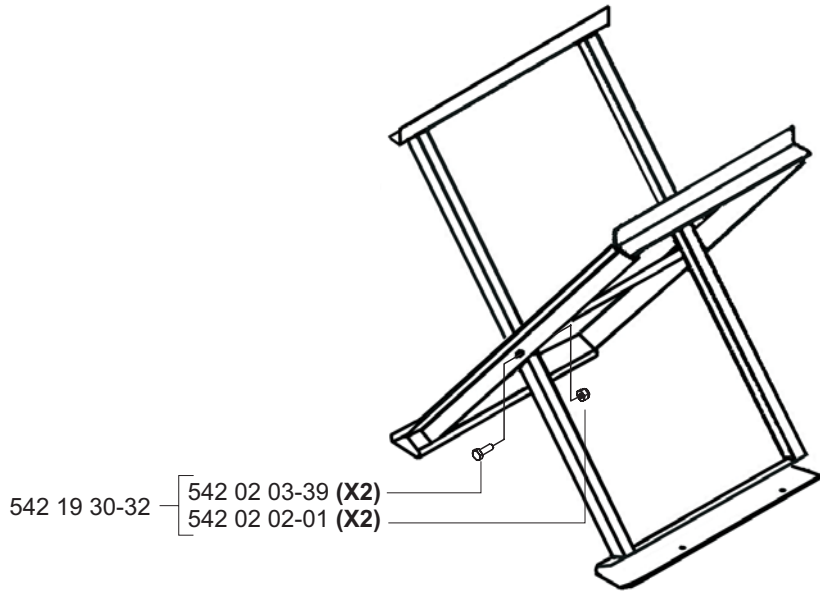


Tile Saw Stands (Optional)

Compl 542 20 32-52
Folding Steel Stand

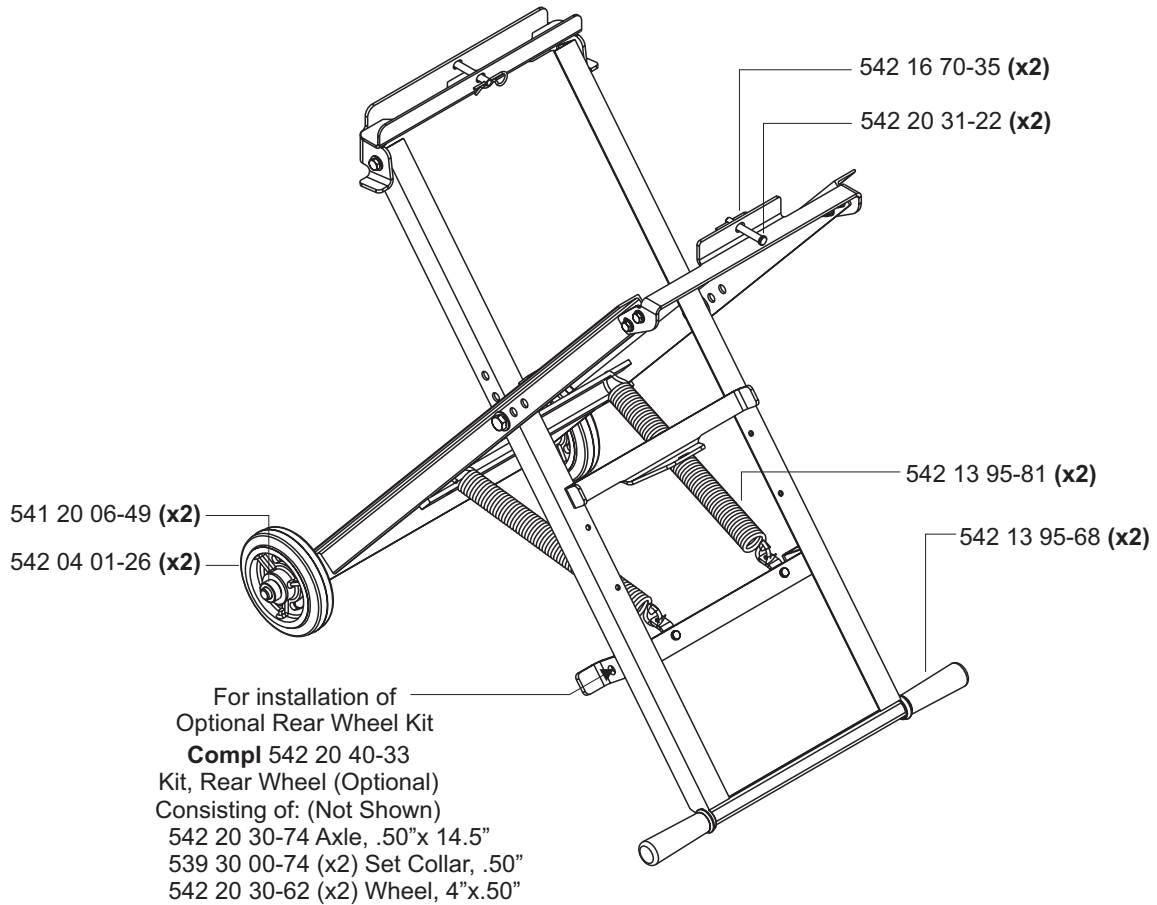


10.25.06



Compl 542 20 32-53
Adjustable Rolling Stand

10.25.06



Husqvarna Construction Products N. A.
Corporate Office
17400 West 119th Street
Olathe, Kansas 66061
Tel. 913-928-1000
Fax 913-438-7951

Customer Service: 800-288-5040
Customer Serv. Fax: 800-825-0028



DUST WARNING



Cutting, especially when DRY cutting, generates dust that comes from the material being cut, which frequently contains silica. Silica is a basic component of sand, quartz, brick clay, granite and numerous other minerals and rocks. Exposure to excessive amount of such dust can cause:

- Respiratory diseases (affecting your ability to breath), including chronic bronchitis, silicosis and pulmonary fibrosis from exposure to silica. These diseases may be fatal;
- Skin irritation and rash; and
- Cancer according to NTP* and IARC*
* National Toxicology Program / International Agency for Research on Cancer

Take precautionary steps

- Avoid inhalation of and skin contact with dust, mist and fumes;
- Wet cut when feasible, to minimize dust;
- Wear and ensure that all bystanders wear appropriate respiratory protection such as dust masks designed to filter out microscopic particles. (See OSHA 29 CFR Part 1910.1200)

California Prop 65 Warning:

Use of this product can cause exposure to materials known to the State of California to cause cancer and/or birth defects or other reproductive harm.



Printed in the USA