

## RS 8500D

Spare Parts

Piezas de repuesto

Pieces de rechange

## RS 8500 D

PART NO.	POS.	DESCRIPTION	PART NO.	POS.	DESCRIPTION
015 70 02-31*	A	Collar, Set: 1.25 ID	541 20 00-53	K	Wheel Assy, Rear
501 98 70-01	C	Decal: Hydraulic Oil ISO-46	541 20 01-29	D	Control Lever Assy
502 07 78-01	A	Frame, Battery, Husq Orange	541 20 04-67	S	Clamp, Pointer Rope
539 10 04-64	O	Screw, Hex Hd, 5/8-11 x 4 Gr5	541 20 04-83	G	Clamp, Muffler
539 10 13-13	S	Screw, Hex Hd, 1/4-20 x 2 Gr5	541 20 04-86	H	Clamp, Muffler
539 10 13-31	A,B,S	Nut, 1/2-13, Hex Nyloc	541 20 04-88	J	Switch, Water Pressure Safety
539 10 13-41	C	Bolt, 3/8-16 x 3	541 20 04-91	Q	Cable, Battery 16" Red
539 10 41-99	A	Bolt, 5/8-11 x 2	541 20 05-35	Q,R1	Valve, Flow Control
539 30 00-06	L	Valve, Ball, 1/2"	541 20 05-42	D	Switch, Raise/Lower
539 30 00-11	L,M	Clamp, Hose, MAH-6, 5/16-7/8	541 20 05-43	D,Q	Wire, Raise/Lower, 16-3 SJ00WB
539 30 00-12	A	Pad, Battery	541 20 05-68	X	Flap, Blade Guard Splash
539 30 00-37	B,K	Screw, Hex Hd, .50-13 x 1.25 GR 5	541 20 05-70	X	Lanyard, 12", 18-26" Guard
539 30 00-46	A	Decal, Diesel Prop. 65 Warning	541 20 05-88	D	Tubing, Convuluted
539 30 00-72	C,L	Clamp, Hose, MAH-4 Fuel Line	541 20 05-95	A,D,G	Light, Night Light 12V
539 30 00-73	H	Clamp, Hose, #32 1-9/16 - 2-1/2	541 20 06-00	D	Decal, Raise/Lower Switch
539 30 00-77	L	Washer, Hose	541 20 06-18	Q,R1	Coil 12VDC
539 30 00-80	A	Grommet, Fuel Tank	541 20 06-19	Q,R1	Cartridge, Valve
539 30 00-85	C	Cap, Fuel Tank	541 20 06-21	Q,R1	Solenoid, Start
539 30 00-89	A	Cable, Battery 58"	541 20 06-42	G	Clamp, Hose #44
539 30 01-09	A	Grommet, Battery Cable	541 20 06-78	L,R1	Oil Cooler
539 30 01-11	D,E	Plug, Hole - 1/2"	541 20 07-15	A	Steering Wheel
539 30 01-12	D,E	Switch, Nite Lite/Water Safety	541 20 07-16	D	Seat
539 30 01-13	D,E	Switch Boot, Gray	541 20 07-18	K	Wheel Hub Cast Iron
539 30 01-20	B	Bearing, 1 1/4" Tapped Base	541 20 07-22	X	Decal, Smi Caution (White)
539 30 01-33	D,O	Wrench, Bladeshaft, 15/16"	541 20 07-26	L	Tubing, Clear, 5/16 I.D.
539 30 01-35	L,M	Hose, Water, 1/2", Bulk	541 20 07-43	K	Tire, Press On, 12 x 5 x 8
539 30 01-82	G	Clamp, Hose, #52 2-13/16 - 3-3/4	541 20 07-44	A,R1	Cylinder, Hyd., 2" Bore x 4"
539 30 01-84	A	Battery, 35-60	541 20 07-45	D	Cable, Control 108" Lg
539 30 02-14	E	Meter, Volt	541 20 07-46	D	Boot, Rubber
539 30 02-26	E	Switch, Ignition, Keyed	541 20 07-52	C,R1	Filter, Hyd. Unit, Head Only
539 30 02-42	L,M	Fitting, Pipe Strt. Elbow, 1/2" Galv	541 20 07-53	C,R1	Cap, Filler Breather
539 30 02-43	L	Fitting, Pipe Close Nipple, 1/2" Galv	541 20 07-56	A	Trim, Steel, SD1250
539 30 02-56	A,B,G	Nut, 5/8-11, Nyloc	541 20 07-57	A	Fasteners, Rubber Hood
539 30 02-71	X	Pipe Fit. Plug, 1/8" Drsl Soc	541 20 07-59	A	Steering Column
539 30 02-83	A	Pin, Hair Cotter	541 20 07-62	J	Rod End, Ball Joint
539 30 03-04	F	Pivot, Pin	541 20 07-65	Q,R1	Hose Assy, 1/4" 4FJ90-4FJ x 34"
539 30 03-06	F	Screw, Socket Head Set	541 20 07-66	R2	Hose Assy, 3/8", 6FJ-6FJ x 14"
539 30 03-10	R2	Fitting, Hyd 90 El 6SAE x 6JIC	541 20 07-69	R2	Hose Assy, 3/8", 6FJ-6FJ x 35"
539 30 03-87	A	Battery Hold Down	541 20 07-72	R1	Hose Assy, 3/4", 12FJ90-12FJ x 23"
539 30 04-40	M	Cap, Bolt 5/8" UHMW	541 20 07-76	R1	Hose Assy, 1/2", 8FJ-8FJ x 23"
539 30 06-20	B,O	Screw, Hex Hd, 5/8-11 x 1-3/4 Gr5	541 20 07-93	C	Pad, Tank (Long)
539 30 10-73	G	Air Cleaner	541 20 07-94	C	Pad, Tank (Short)
539 30 11-48	G	Washer, Snubbing .67ID x 2.76OD	541 20 07-95	C	Pad, Tank (Top)
539 30 11-49	G,M	Isolator, Rubber Engine	541 20 07-99	R1	Valve, Ball, 3/4"
539 30 13-67	E	Screw, #6-32 x 1 RHMS Slotted	541 20 08-03	S	Flap, Front Mud, 10W x 20L
539 30 15-36	G	Secondary Element, Air Cleaner	541 20 08-04	X	Flap, Blade Guard Side
539 90 01-18	J	Washer, Lock, 3/8"	541 20 08-27	C,R1	Element, Filter, Hyd. Hd 10 micron
539 90 01-87	C	Washer, Lock, 5/16"	541 20 08-34	E	Terminal Block
539 97 69-34	A,B,C,D,G,H,S	Screw, Hex Hd, 5/16-18 x 3/4 Gr5	541 20 08-47	O	V-Belt, 3VX560 4-Band (14")
539 97 69-41	J	Bolt, 3/8-16 x 1-1/4	541 20 08-48	O	V-Belt, 3VX530 3-Band (20-26")
539 97 69-78	A,C,J,S	Nut, 1/4-20, Hex Nyloc	541 20 08-51	F	Cable, Throttle Locking
539 97 69-79	B,C	Nut, 3/8-16, Hex Nylock	541 20 08-55	C	Decal, Diesel Fuel
539 97 69-82	B,O	Flatwasher, 5/8" SAE	541 20 08-95	Q	Wire, 14 Ga Black w/Terms
539 97 77-61	A,C,J	Screw, Hex Hd, 1/4-20 x 1 Gr5	541 20 09-27	A	Shim, A.005
539 99 00-52	A,C,D,H,J,K	Washer, Lock 1/4	541 20 09-28	A	Shim, A.010
539 99 00-55	A,C,F,J	Washer, Flat 1/4	541 20 09-29	A	Shim, A.025
539 99 00-71	A,Q	Screw, Hex Hd, 1/4-20 x 1/2 Gr5	541 20 09-89	G	Gauge, Air Flow Restriction
539 99 01-18	A	Washer, Lock 3/8 Spring	541 20 09-92	L	Switch, Pressure Switch
539 99 01-22	C	Flatwasher, 3/8" SAE	541 20 09-94	K,R2	Actuator, Steering
539 99 01-34	B	Bolt, 3/8-16 x 3/4	541 20 10-08	E	Light, Green Oil Diesel
539 99 01-87	B,G,H,K,N2,S	Washer, Lock 5/16	541 20 10-11	J	Belt, AX42
539 99 01-88	B,F,G,H,S	Flatwasher, 5/16" SAE	541 20 10-14	Q	Cable, Battery 16" Black
539 99 01-96	B,D,S	Nut, 5/16-18	541 20 10-51	J	Clutch, RPS 1994 (Splined)
539 99 02-09	B,F,G,H,K,S	Bolt, 5/16-18 x 1	541 20 10-77	J	Spring, Control Arm
539 99 02-50	B	Flatwasher, 1/2" SAE	541 20 10-78	D	Handle, Control Base Rps 1994
539 99 02-54	B,K	Washer, Lock 1/2	541 20 11-62	C	Hose, Fuel 1/2", Gorilla
539 99 03-33	M,O	Washer, Lock 5/8	541 20 12-70	E	Gauge, Tachometer-Hour Meter
539 99 05-17	A,B,J	Flatwasher, 3/8"	541 20 13-14	A	Decal, Warning
539 99 05-55	F	Pin, Cotter 3/32 x 1/2"	541 20 13-88	E	Key, Spare for 539 30 02-26 Switch
539 99 05-56	B	Nut, 5/8-11	541 20 13-91	O	V-Belt, 3VX560 3-Band (14")
539 99 05-63	C	Screw, Hex Hd, 3/8-16 x 1 Gr5	541 20 16-43	Q,R1	Pump, Electro-Hyd., 1 Qt.Plstc
539 99 05-80	C,D,H,K,X	Screw, Hex Hd, 1/4-20 x 3/4 Gr5	541 20 16-61	E	Breaker, Circuit 25 Amp
539 99 06-55	A,B	Screw, Hex Hd, 3/8-16 x 1-1/2 Gr5	541 20 17-43	A	Cable, Battery, Start/Reel
539 99 07-17	D,F,G,H,S	Nut, 5/16-18, Hex Nyloc	541 20 21-15	D	Night Light Bar
539 99 07-30	B	Screw, Hex Hd, 3/8-16 x 1-3/4	541 20 22-71	A	Steering Wheel Hub
539 99 10-03	K	Screw, Hex Hd, 1/4-20 x 1-3/4	541 20 22-78	A,L	Water Jet, Rear Pointer Mt.B
541 20 00-37	D	Night Light Assy	541 20 22-79	L	Water Jet, Rear Pointer

NOTE: Part No's. that have an ASTERISK (\*) may not be active 9-digit numbers. The '542' prefix has been added to current 6-digit part numbers and '0' to 7 and 8-digit numbers.

## RS 8500 D

PART NO.	POS.	DESCRIPTION	PART NO.	POS.	DESCRIPTION
541 20 22-87	D	Switch Plate	541 20 49-64	C	Fitting, Hyd Hex Reducer 1/2"MPT x 1/4"FPT
541 20 23-10	D	Handle, Switch Black Rps	541 20 49-65	C	Fitting, Hyd Fem Pipe-Tee 1/2"
541 20 23-15	K,R2	Bracket, Hyd Fitting, RPS, Black	541 20 49-75	R2	Fitting, Hyd Str 8SAE x 8JIC
541 20 23-29	D	Pad, Arm Rest	541 20 49-76	R2	Fitting, Hyd 90 EI 6SAE x 12JIC
541 20 23-31	D	Lever Tube, Control Handle	541 20 49-85	R1	Fitting, Hyd Run-T 1/4"MPT x 4JIC
541 20 23-33	S	Rod, Front Pointer	541 20 50-34	R1	Fitting, Hyd 45EI 12JIC x 3/4"MPT
541 20 23-36	C	Hose Boom	541 20 50-59	K,R2	Fitting, Hyd 90 EI 4SAE x 4JIC
541 20 23-48	K	Wheel Rim 8 x 5	541 20 50-65	S	Bolt, Eye 1/4" x 2 1/2" OAL
541 20 23-71	S	Mount, Front Mud Flap	541 20 50-94	R1	Fitting, Hyd Swv Nut Run-T 8JIC
541 20 23-72	S	Clamp, Front Mud Flap	541 20 50-97	K,R2	Fitting, Hyd 45EI 6JICSw-Nut x 6JIC
541 20 24-72	F	Throttle Bracket, Black	541 20 50-99	K,R2	Fitting, Hyd 90EI 6JICSw-Nut x 6JIC
541 20 26-40	J	Control Arm, Trans, Black	541 20 51-02	K,R2	Fitting, Hyd Str 8SAE x 10JIC
541 20 38-35	O	V-Belt, 3VX530 4-Band (20-26")	541 20 52-67	Q,R1	Fitting, Pipe Nipple 3/8 x 6
541 20 38-71	K	Nut, Wheel Motor	541 20 57-64	A,Q,X	Flatwasher, 1/4"
541 20 38-72	K	Key, Wheel Motor 5/16 x 1"	541 20 57-93	G	Bolt, M10-1.5 x 35
541 20 39-65	R2	Fitting, Hyd Swv Nut Run-T 6JIC	541 20 61-47	K	Wheel Fork Weldmt Drive, Black
541 20 44-85	G	Element, Primary Air Cleaner	541 20 61-98	K,R2	Fitting, Hydr Reducer 10MSAE x 8FSAE
541 20 44-86	G	Element, Secondary Air Cleaner	541 20 61-99	K,R2	Motor, Hyd W/ Brake, Black
541 20 45-83	Q,R1	Fitting, Hyd 90 EI 6SAE x 1/4 FPT	541 20 62-00	A,R2	Steering Orbitrol W/Pwr Beyond
541 20 45-84	Q,R1	Fitting, Hyd Nipple, Hex Pipe 1/4"	541 20 62-01	J,R2	Pump, Hydrostatic
541 20 45-85	Q,R1	Fitting, Hyd 90 EI 1/4"MPT x 4JIC	541 20 62-12	A	Wheel, 12 x 5, 1-1/4 Front
541 20 45-86	L	Fitting, Hyd Hex Reducer 1/2"MPT x 1/8"FPT	541 20 62-18	A	Pin, Wheel Weldment,
541 20 45-87	M	Fitting, Pipe Close Nipple, 3/8" Galv	541 20 62-93	B,G	Engine Mnt Cummins Rider,Black
541 20 45-88	M	Fitting, Pipe Coupling, 3/8" Galv	541 20 63-16	G	Motor Mount Weldment, Black
541 20 45-93	L	Pipe Fit. Tee, 1/2"	541 20 63-63	O	Sheave 6GR3V 4.75 Taper (20-26")
541 20 46-24	D	Screw, Hex Hd, 5/16-18 x 2-1/2 Gr5	541 20 63-74	H	Radiator
541 20 46-29	A	Screw, Hex Hd, 1/4-20 x 1-1/4	541 20 65-31	K,R2	Tube, Hyd Motor 3/8 A
541 20 46-44	A,B	Bolt, 1/2-13 1-3/4	541 20 65-32	K,R2	Tube, Hyd Motor 3/8 B
541 20 46-52	B	Screw, Hex Hd, 5/8-11 x 6 FT	541 20 65-46	R2	Hose Assy, 1/4", 4FJ-4FJ x 10"
541 20 46-65	X	Pin, Detent Ring, 1/4 x 2-1/4	541 20 65-47	R2	Hose Assy, 1/4", 4FJ90-4FJL90 x 17.5"
541 20 46-88	Q	Nut, Solenoid Coil	541 20 65-49	R2	Hose Assy, 1/4", 4FJ90-4FJL90 x15.5"
541 20 46-95	K,R2	Fitting, Hyd Str 6SAE x 4JIC	541 20 65-50	R1	Hose Assy, 1/4", 4FJ90-4FJ x 27"
541 20 46-97	G	Fitting, Hyd Pipe Cap 1/2"FPT	541 20 65-51	H	Tube, Radiator, Upper, Black
541 20 47-06	L,M	Fitting, Hyd 1/2" Hose x 3/4"FGH Sw	541 20 65-65	R2	Hose Assy, 3/8", 6FJ-6FJ x 18"
541 20 47-11	C,R1	Fitting, Hyd 90 EI 8SAE x 1/2"MPT	541 20 65-66	R2	Hose Assy, 3/8", 6FJ-6FJ x 25"
541 20 47-23	A	Nut, Jam 3/4-16 Z/P	541 20 65-66	R2	Hose Assy, 3/8", 6FJ-6FJ x 27"
541 20 47-34	R1	Fitting, Hyd Str 8SAE x 1/2"MPT	541 20 65-68	R1,R2	Hose Assy, 3/4", 12FJ90-12FJ x33"
541 20 47-35	R1	Fitting, Hyd Str 12SAE x 3/4"MPT	541 20 65-77	R1	Fitting, Hyd 2501-12
541 20 47-36	K,R2	Fitting, Hyd Str Conn 6SAE x 3/8"MPT	541 20 65-79	R2	Hose Assy, 3/8", 6FJ-6FJ x 15"
541 20 47-38	K,R2	Fitting, Hyd Str Conn 4SAE x 3/8"MPT	541 20 65-80	R2	Hose Assy, 3/8", 6FJ90-6FJ x 19"
541 20 47-46	R2	Fitting, Hyd Str 12SAE x 8JIC	541 20 65-91	R2	Fitting, Hyd Str 6SAE x 12JIC
541 20 47-51	C	Fitting, Hyd 1/2"Hose x 8FJIC Sw	541 20 65-92	K,R2	Valve, Shuttle, SAE 6
541 20 47-55	K,R2	Fitting, Hyd Str 4SAE x 6JIC	541 20 65-93	K	Bracket, Shuttle Valve, Black
541 20 47-56	R2	Fitting, Hyd Str 6SAE x 6JIC-6	541 20 65-94	C	Bracket, Oil Filter, Black
541 20 47-65	K,R2	Fitting, Hyd 90 EI 6SAE x 10JIC	541 20 66-40	R2	Valve, Dump (Brake)
541 20 47-68	K	Fitting, Hyd 90 EI 4SAE x 6JIC	541 20 66-44	F	Bracket, Throttle Cable,Black
541 20 47-80	D	Flatwasher, 5/16"	541 20 66-57	G	Bracket, Fuel Filter, Black
541 20 47-84	J	Bolt, 1/4-20 x 1-1/2, Gr5	541 20 66-59	G	Adapter, Air Intake
541 20 47-95	R1	Fitting, Hyd Bulkhead Union 4JIC	541 20 66-65	G	Bracket, Air Cleaner, Rider, Black
541 20 47-96	R2	Fitting, Hyd Bulkhead Union 6JIC	541 20 66-91	G	Clamp, Exhaust
541 20 47-97	R1	Fitting, Hyd MJIC Bulkhead, 270	541 20 66-92	G	Pipe, Exhaust, 90 Deg, 2.5 OD
541 20 48-01	L	Fitting, Hyd Hex Reducer 1"MPT x 1/2"FPT	541 20 66-93	G	Elbow, Air Intake, 3" 45 Deg
541 20 48-06	R2	Fitting, Hyd 90 EI 6SAE x 8JIC	541 20 66-94	G	Hose, Air Intake, 2-3/8"ID x 36"
541 20 48-08	K,R2	Fitting, Hyd 90 EI L-Sw 6JIC x 3/8"MPT	541 20 66-97	F	Engine, B3.3 Cummins, 85 Hp
541 20 48-09	D	Screw, Pan Hd,Slotted SMS	541 20 66-98	G	Fitting, Hyd M22-1.5 to #10MJ90
541 20 48-11	E	Screw, 8-32 x 1/2 Rnd Hd Sltd	541 20 66-99	G	Hose Assy, 1/2", 10FJ-1/2"NPT x 20"
541 20 48-15	L	Fitting, Hyd 90EI Barb 5/16"Hose x 3/8"MPT	541 20 67-00	G	Sheave, 1GR, A 6.0, Cummins
541 20 48-16	L	Fitting, Pipe Tee, 3/8", Galv	541 20 67-86	G	Bracket, Engine Cover, Black
541 20 48-17	L	Fitting, Hyd Hex Reducer 1/2"MPT x 3/8"FPT	541 20 67-90	G	Spacer, Guard, Black
541 20 48-18	L	Fitting, Hyd Hex Reducer 3/8"MPT x 1/4"FPT	541 20 68-01	B	Tension Bracket, Black
541 20 48-22	H	Screw, 1/4-20 x 1/2, Flat Hd	541 20 68-04	H	Fan Motor Support, Black
541 20 48-24	A,D	Screw, 5/16-18 x 1 Soc. Flat Hd	541 20 68-82	P	Bladeshaft, Tapered
541 20 48-25	A,K	Pin, Cotter, 1/8 x 2"	541 20 68-83	O	Sheave 3VX 4.5 x 8 Gr Taper (14-26")
541 20 48-26	A	Rivet, #64 BAA (Alum)	541 20 68-84	O	Sheave 3VX 4.5 x 6 Gr Taper (14-26")
541 20 48-27	A	Pin, Cylinder, Headless	541 20 68-85	O	Key 1/4 Sq x 1-1/8"L Rd One End
541 20 48-29	J	Nut, 1/4-28	541 20 68-88	O	Inner Flange 5", Black Oxide
541 20 48-36	D	Nut, 1/2-20	541 20 68-92	A	Flap, Mud
541 20 48-38	B	Bolt, 3/8-16 x 4, Full Thread	541 20 68-93	H,R2	Motor, Hyd Fan Drive
541 20 48-55	L	Fitting, Water 3/4"GHM x 1/2"MPT	541 20 68-94	J,R2	Pump, Hyd Fan Drive
541 20 48-70	C,L,M	Fitting, Hyd Str 1/2"Hose x 1/2"MPT	541 20 69-26	E	Water Temp Gage w/ Shutdown
541 20 48-72	L	Fitting, 1/2 MPT x 1/2 Hose	541 20 69-30	R2	Fitting, Hyd 6804-8
541 20 48-87	D	Flatwasher, 5/16"	541 20 69-31	R2	Hose Assy, 3/8", 6FJ-6FJ x 22"
541 20 49-14	C	Fitting, Hyd 45EI 8JIC x 1/2"MPT	541 20 69-43	N1	Flywheel Coupling Assy
541 20 49-16	R1	Fitting, Hyd Hex Reducer 3/4"MPT x 1/2"FPT	541 20 69-52	H	Fan Shroud Weldment, Black
541 20 49-18	R1	Fitting, Hyd Str-Tee 3/4"NPT	541 20 69-77	X	Bladeguard Assy 14"UC
541 20 49-24	A	Pin, Cotter, 3/16 x 2"	541 20 69-78	X	Bladeguard Assy 20"UC
541 20 49-43	S	Screw, Hex Hd, 1/2-13 x 2-1/4 Gr5	541 20 69-79	X	Bladeguard Assy 26"UC

NOTE: Part No's. that have an ASTERISK (\*) may not be active 9-digit numbers. The '542' prefix has been added to current 6-digit part numbers and '0' to 7 and 8-digit numbers.

## RS 8500 D

PART NO.	POS.	DESCRIPTION	PART NO.	POS.	DESCRIPTION
541 20 69-86	H	Hose, Radiator, Upper B3.3	542 02 03-04*	O	Pin, Dowel .375 x 1.5
541 20 69-87	H	Hose, Radiator, Lower B3.3	542 02 08-90*	S	Sash Cord, 1/4 Dia #85 x 1200
541 20 71-57	H	Radiator Tube - Back	542 04 02-75*	X	Fitting, Hose 3/8 x 3/4 GHT
541 20 71-59	H	Radiator Tube - Front	542 04 11-75*	B	Grease Zerk, 90° 1/4" NPT
541 20 80-01	O,P	Bladeshaft - Compl	542 04 61-28*	X	Decal: Warning (Bld Grd Size)
541 20 80-02	H	Fan 18 Inch	542 04 77-92*	G	Screw, Hex Hd, M10-1.5 x 30
541 20 80-03	H	Transtorque .5 ID x .875 OD	542 04 98-88*	H	Clip, Spring
541 20 80-06	P	Flange End Cover	542 11 01-02*	P	Fitting, Grease Zerk
541 20 80-16	O	Sheave 8GR3V 6.375 Taper (14")	542 13 92-60*	Q	Cable, Battery - Neg
541 20 80-17	O	Sheave 6GR3V 6.375 Taper (14")	542 13 97-44*	F,G,H	Screw, Hex Hd, M10-1.5 x 20 FT
541 20 80-22	P	O-Ring .044	542 13 97-46*	G	Flatwasher, M6
541 20 80-25	H	Hose, Radiator, Bulk, 1.75" (x36")	542 13 97-49*	G	Screw, Hex Hd, M10-1.5 x 25 FT
541 20 80-27	G	Air Cleaner Spacer, Black	542 13 97-61*	G	Screw, Hex Hd, M6-1.0 x 20
541 20 80-29	R2	Hose Assy, 3/8", 6FJ-6FJ x 40"	542 16 03-93*	M	Washer, Flat .6875
541 20 80-30	R2	Hose Assy, 3/8", 6FJ90-6FJ x 38"	542 16 07-95*	A	Key, Woodruff (ANSI #606)
541 20 80-31	R1,R2	Hose Assy, 3/8", 6FJ90-6FJ x 14"	542 16 11-34*	L	Valve, Flow Control
541 20 80-32	R1,R2	Hose Assy, 1/2", 8FJ-8FJ x 35"	542 16 16-70*	S	Caster - Swivel
541 20 80-33	R2	Hose Assy, 3/8", 6FJ90-6FJ x 67"	542 16 20-04*	G	Lockwasher, Split M10
541 20 80-34	R1,R2	Hose Assy, 1/2", 8FJ90-8FJ x 42"	542 16 34-89*	G	Screw, Hex Hd, .625-11x4.25 RH Thd Gr BD
541 20 80-37	R2	Fitting, Hyd Branch Tee 6JIC	542 16 36-88*	F	Screw, Hex Hd, M6-1.0 x 16 FT
541 20 80-39	R2	Fitting, Hyd 90 EI 6SAE x 6JIC-LI-6	542 16 36-89*	F,G	Lockwasher, Split M6
541 20 80-40	K,R2	Fitting, Hyd 90 EI L-6SAE x 8JIC	542 16 46-32*	O	Key, Woodruff (ANSI #808)
541 20 80-41	R2	Fitting, Hyd 90 EI 8SAE x 6JIC	542 16 59-07*	E	Locknut, Fiber Hex 6-32
541 20 80-42	R1,R2	Hose Assy, 1/2", 8FJ-8FJ x 65"	542 16 62-86*	O	Flange, Blade Outer QDS B/O - 5"
541 20 80-45	C	Fitting, Hyd Barb 3/8"Hose x 1/4" FPT	542 16 63-65*	O	Pulley 8G3V4.75 Taper (20-26")
541 20 80-46	C	Fitting, Hyd 90EI Barb, 3/8"Hose x 1/4"MPT	542 16 63-68*	M	Screw, Hex Hd, M16-2.0 x 90 FT
541 20 80-47	C	Hose, Fuel, 3/8"	542 16 64-15*	J	Sender, Water Temp
541 20 80-49	H	Bracket, Water Tube, Black	542 16 64-18*	M,O	Washer, Flat 2.8x.657x.188
541 20 80-51	H	Crossbar, Radiator, Black	542 16 64-42*	M	Support, Engine Rear
541 20 80-56	H	Cap, Radiator	542 16 64-59*	H	Filter, Radiator
541 20 80-58	G	Bracket, Front Light, Black	542 16 64-80*	O	Washer, Flat 1.030 x 2.25
541 20 80-90	B	Belt Cover Rider RH, Gray	542 16 66-30*	H	Clamp, Hose SAE24
541 20 80-92	B	Belt Cover Rider LH, Gray	542 16 66-74*	D,F,N2	Clamp, Vinyl Coated 3/8 x 3/8
541 20 80-94	B	Belt Cover Panel, Gray	542 16 66-85*	N2	Rotor Assy, Electric Clutch
541 20 81-44	G	Deflector - Black	542 16 66-86*	N2	Armature Plate
541 20 81-46	G	Brace, Air Cleaner, Black	542 16 68-53*	H	Decal: Radiator Filter
541 20 81-57	G	Mounting Bracket, Air Cleaner	542 16 68-78*	E	Screw, Pan Hd, #10-24 x 1 Type F
541 20 81-58	G	Cover, End - Air Cleaner	542 16 68-80*	G	Adaptor, Restriction Indicator
541 20 83-73	A	Lift Bail, Husq Gray	542 16 69-07*	L	Valve, Oil Drain
541 20 83-76	X	Blade Guard 26 UC, Husq Gray	542 16 72-89*	X	Decal: Arrow
541 20 83-77	X	Blade Guard 20 UC, Husq Gray	542 16 74-47*	M	Screw, Hex Hd, M16-2.0 x 45
541 20 83-78	X	Blade Guard 14 UC, Husq Gray	542 16 94-86*	A,D,S	Knob, 5/16-18 x 1 4-Prong
541 20 83-79	B	Belt Cover, LH, 14-26" - H Orange	542 17 18-91*	H	Blind Rivet 3/16 Dia
541 20 83-80	B	Belt Cover, RH, 14-26" - H Orange	542 17 30-05*	N1	Screw, Hex Hd, M10-1.5 x 16 FT
541 20 83-81	A	Main Frame, Husq Orange	542 17 30-14*	G,H	Washer, Flat M10
541 20 83-82	B	Panel, Belt Cover, 14-26" - H Orange	542 17 63-83*	E	Switch, Mushroom Stop
541 20 83-83	C	Tank, Fuel 7.25 Gal - Husq Orange	542 17 70-64*	G	Screw, Hex Hd, M10-1.5 x 45 FT
541 20 83-85	C,R1	Tank, Hydraulic - Husq Orange	542 18 09-87*	C	Knob, Tee 5/16-18 x 1
541 20 83-87	C,R1	Cover, Hyd.Tank Husq Orange	542 18 11-09*	M	Nut, Hex Jam M16-2
541 20 83-89	E	Instrument Panel, Husq Gray	542 18 21-99*	F	Wiring Harness, Engine
541 20 83-90	S	Bracket, Front Pointer Mnt - Husq Orange	542 18 22-13*	E	Wire Harness, Engine
541 20 83-91	G	Cover, Engine, Top, Husq Gray	542 18 22-33*	N2	Diode Assy, FSZ Clutch
541 20 83-92	B	Mount, Radiator, Husq Orange	542 18 23-05	B	Bracket, Support- Rear Husq Gray
541 20 83-93	B	Mount, Radiator, Husq Orange	542 18 33-75*	N1	Plug, Hole - 3/4"
541 20 83-94	A	Side Plate, Husq Gray	542 19 07-00	C	Decal: HUSQVARNA / RS 8500 D
541 20 83-95	G	Cover, Engine, Small, Husq Gray	542 19 07-33	B	Decal: HUSQVARNA, 9.85"
541 20 83-96	A	Cover Plate, Front, Husq Orange	542 19 14-29*	P	Bearing 209PP
541 20 83-97	A	Cover, Console, Husq Orange	542 19 16-42*	O	Screw, Hex Hd M16-2.0 x 35 10.9
541 20 83-98	A	Instrument Panel Box, Husq Orange	542 19 18-46*	M	Breather, 3/8 NPT
541 20 83-99	J	Pump Mount, Husq Gray	542 19 19-62*	M,O	Lockwasher, Split M16
541 20 84-00	A	Steering Tilt Plate, Husq Gray	542 19 19-63*	P	Vent Plug 1/8 NPT
541 20 84-01	G	Bracket, Engine Cover Top, Husq Gray	542 19 19-96*	N2	Screw, Hex Hd, M8-1.25 x 20 FT 10.9
541 20 84-02	G	Cover, Engine, Lower, Husq Gray	542 19 86-27	G	Muffler
541 20 84-03	B	Cover, Pitts Clutch, Husq Gray	542 19 86-28	G	Exhaust Pipe
541 20 84-04	D	Bracket, Night Light, Husq Gray	542 19 87-33	N1-2	Bearing, Ball, 25mm 9105PP
541 20 84-05	D	Seat Base & Arm Rest, Husq Orange	542 19 89-53	N2	Snap Ring, 1.375 Shaft
541 20 84-06	C	Fuel Tank w/ Seat Mnt - Husq Orange	542 19 90-44	P	Hex Bolt M8-1.25 x 75 8.8
541 20 84-07	B	Raising Frame, Husq Orange	542 19 90-45	O	Key 1/4Sq x 2.5"L Rd Both Ends
541 20 84-08	A	Floor Plate, Floor - Husq Gray	542 19 90-53	N2	Bolt, Hex Wshr Hd M8-1.25x25 Dog Pt
541 20 84-09	A	Wheel Fork, LH, Husq Gray	542 19 93-87	N2	Hub, Clutch Drive
541 20 84-10	A	Wheel Fork, RH, Husq Gray	542 19 93-96	N2	Field Coil Assy
541 20 84-11	S	Front Pointer Tube, Long - Husq Gray	542 19 94-80	N2	Bushing, Rubber 1/2 x 3/4
541 20 84-12	S	Front Pointer Tube, Short - Husq Gray	542 19 94-81	M,N1,O	Gear Box, Superior
541 20 85-01	B	Tab, Bladeguard, Bolt On, Husq Gray	542 20 51-40	F	Filter, Oil
542 02 01-32*	E	Nut, Std Hex #10-24	542 20 51-41	F	Filter, Fuel
542 02 01-33*	J	Nut, Hex 1/4-20	542 20 51-42	F	V-Belt, Alternator Cummins B3.3
542 02 01-80*	O	Nut, Hex Jam Thin 1-14	542 20 53-10	A	Kit, Roller Bearing - Front Wheel

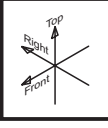
NOTE: Part No's. that have an ASTERISK (\*) may not be active 9-digit numbers. The '542' prefix has been added to current 6-digit part numbers and '0' to 7 and 8-digit numbers.

# RS 8500 D

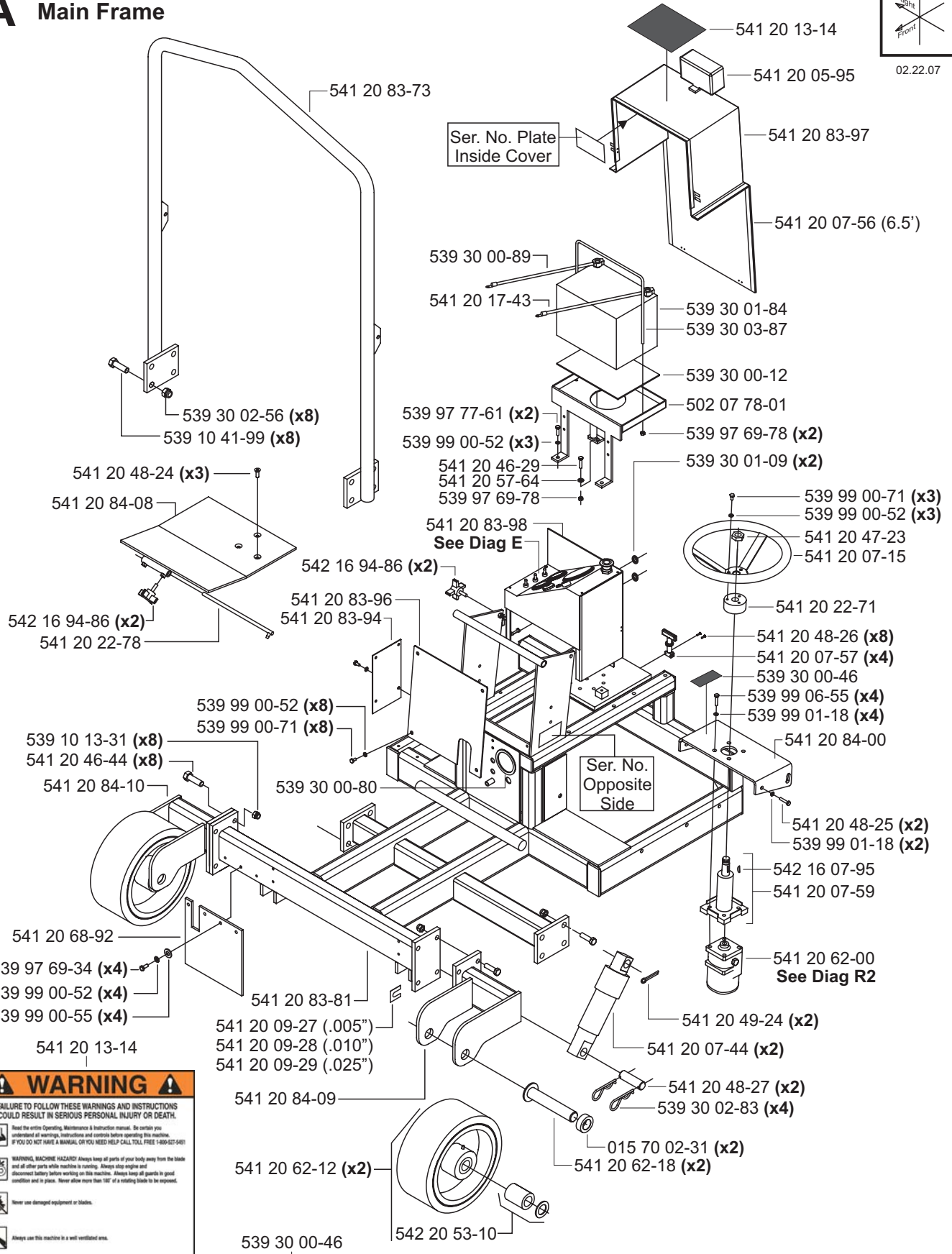
PART NO.	POS.	DESCRIPTION	PART NO.	POS.	DESCRIPTION
542 20 62-88	K	Screw, Soc Hd, 1/2-13 x 2.5 Gr8 Z/P			
542 20 64-79	P	Blade Shaft Tube w/ Tach			
542 20 81-58	G	End Cover, Air Cleaner			
725 24 57-76	N2	Screw, Hex Hd M8-1.25 x 35 10.9			
725 24 95-71	M,N1	Screw, Hex Hd, M10-1.50 x 30			
725 32 66-71	P	Screw, Hex Hd M6-1.0 x 12 8.8			
725 54 55-51	N2	Screw, Soc. Hd, M8-1.25 x 30 12.9			
732 25 18-01	P	Nut, Lock M8-1.25			
735 11 73-01	F,G,M,N1	Lockwasher, Split M10			
740 38 08-01	P	Washer, Seal - M6			
<b>MISC ITEMS &amp; SPECIAL KITS</b>			<b>LEGEND</b>		
542 20 11-30	NS	OM Op Instr: RS 8500 D, Husq	BHMS		Button Head Machine Screw
542 20 11-31	NS	IPL Parts List: RS 8500 D, Husq	FLHMS		FLat Head Machine Screw
			HHCS		Hex Head Cap Screw
			HWHSTS		Hex Washer Head Self-Tapping Screw
541 20 71-00	O	Kit, Sheave Puller	RHMS		Round Head Machine Screw
			SBHMS		Socket Button Head Machine Screw
			SHCS		Socket Head Cap Screw
			SHSS		Scocker Head Set Screw
			STS		Self-Tapping Screw
			PHCS		Pan Head Cap Screw
			PHMS		Pan Head Machine Screw
			PHSTS		Pan Head Self-Tapping Screw
			FT		Full Thread
			Gr		Grade
			ZP		Zink Plated

NOTE: Part No's. that have an ASTERISK (\*) may not be active 9-digit numbers. The '542' prefix has been added to current 6-digit part numbers and '0' to 7 and 8-digit numbers.

# A Main Frame



02.22.07



**WARNING**

FAILURE TO FOLLOW THESE WARNINGS AND INSTRUCTIONS COULD RESULT IN SERIOUS PERSONAL INJURY OR DEATH.

Read the entire Operating, Maintenance & Instruction manual. Be certain you understand all warnings, instructions and controls before operating the machine. IF YOU DO NOT HAVE A MANUAL OR YOU NEED HELP CALL TOLL FREE 1-800-527-5411

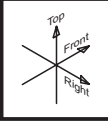
**WARNING, MACHINE HAZARD!** Always keep all parts of your body away from the blade and all other parts while machine is running. Always stop engine and disconnect battery before working on this machine. Always keep all guards in good condition and in place. Never allow more than 1/8" of a rotating blade to be exposed.

- Never use damaged equipment or blades.
- Always use this machine in a well ventilated area.
- Never operate this machine in close proximity to combustible materials. Always stop engine and never smoke while installing.
- Always use blades with a rated speed higher than the bladeshaft speed. Overspeeding a blade can cause blade breakage and the risk of severe personal injury. Verify bladeshaft speed and sheave diameters. See Engine/Blade Speed Chart.
- Always wear head, hearing, eye and respiratory protection.

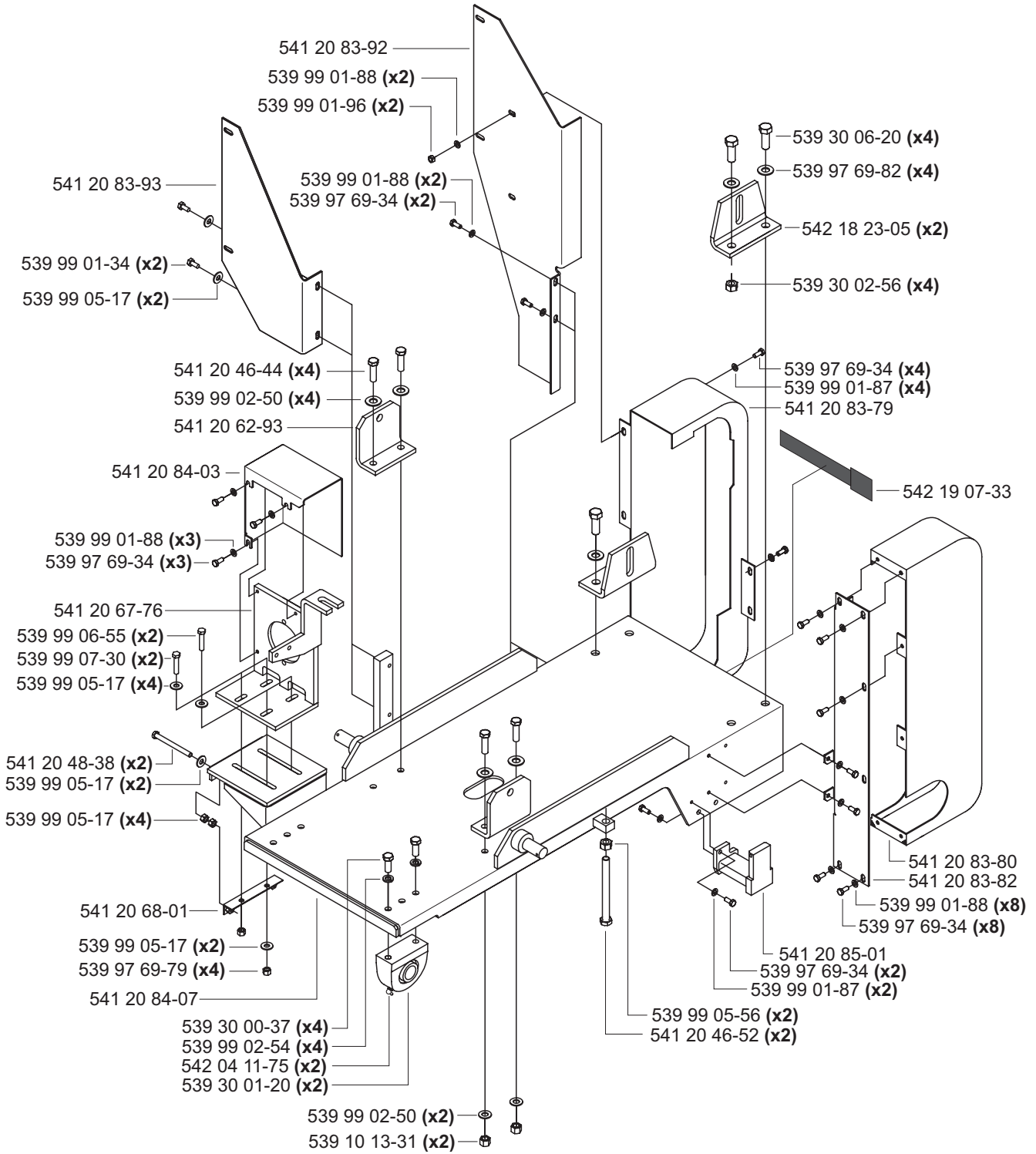
**CALIFORNIA Proposition 65 Warning**

Diesel engine exhaust and some of its constituents are known to the State of California to cause cancer, birth defects, and other reproductive harm.

# B Raising Frame with Belt Guards (14" - 20" - 26")



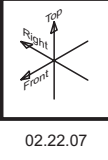
02.22.07



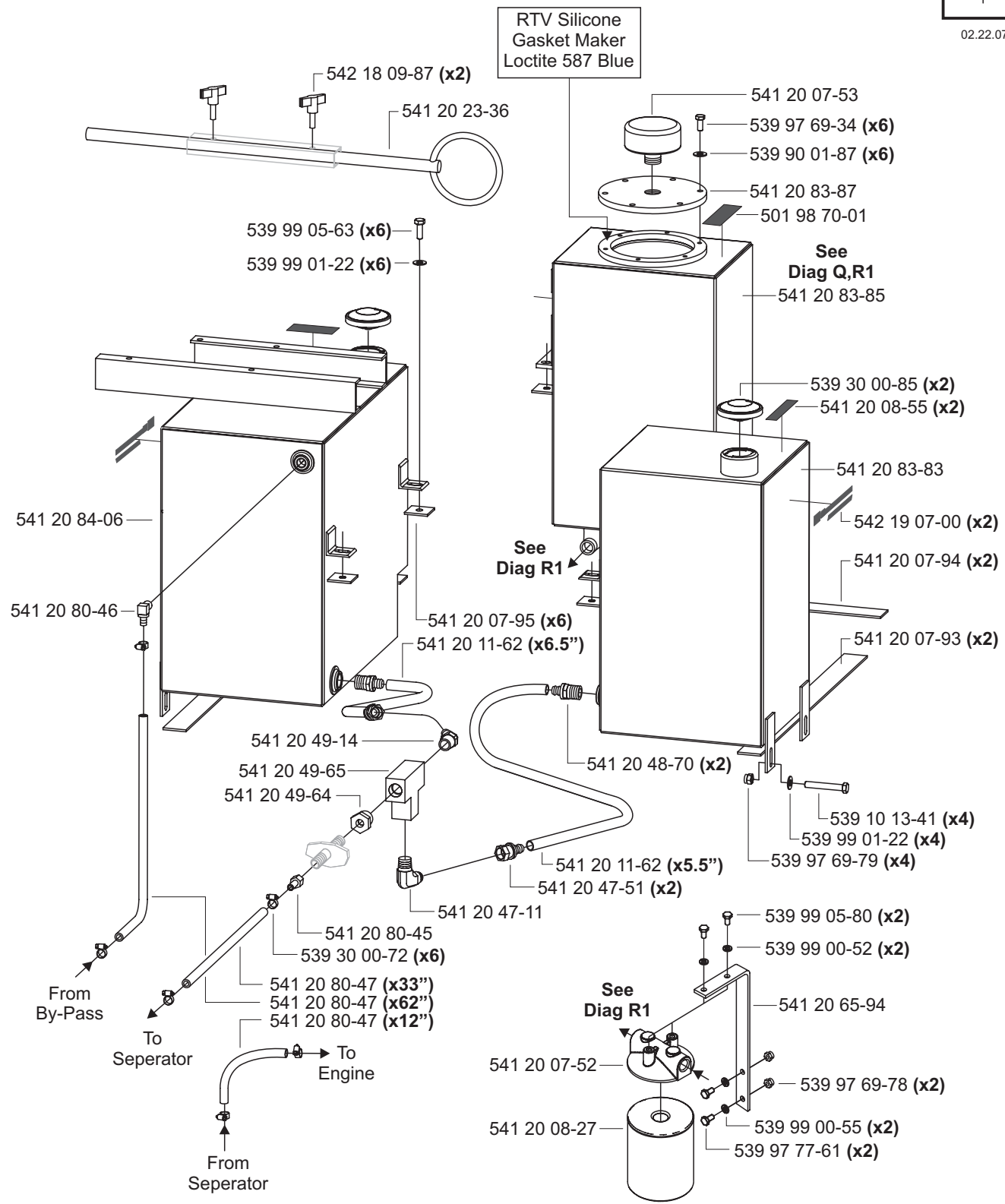
542 19 07-33



# C Fuel & Hydraulic Tanks



02.22.07



542 19 07-00 (x2)

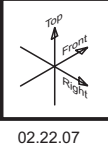
501 98 70-01

541 20 08-55 (x2)



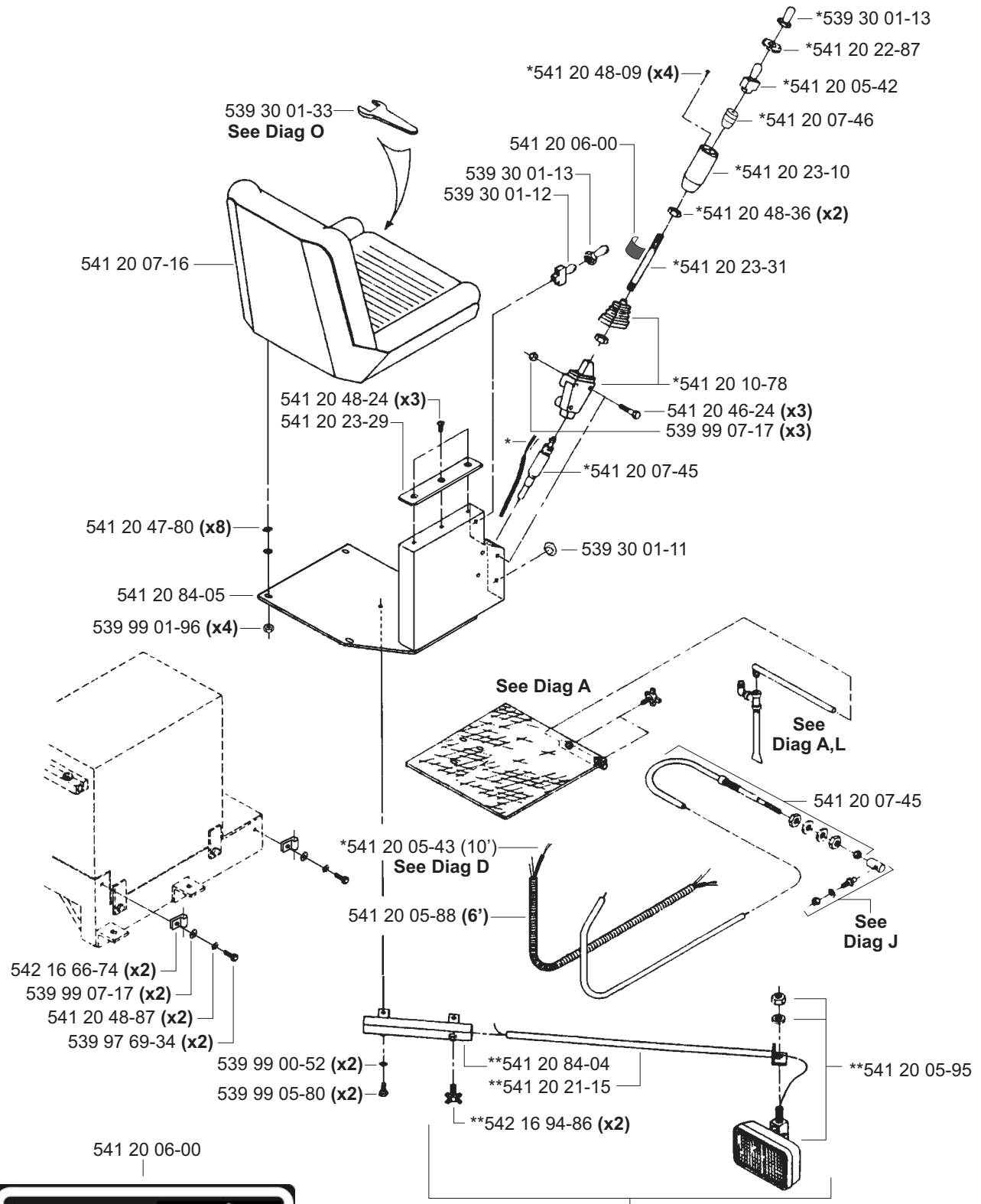


# D Seat & Control Lever

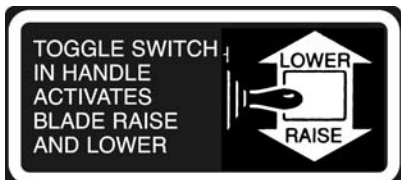


02.22.07

\* 541 20 01-29 - Compl

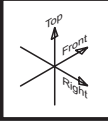


\*\* 541 20 00-37 - Compl

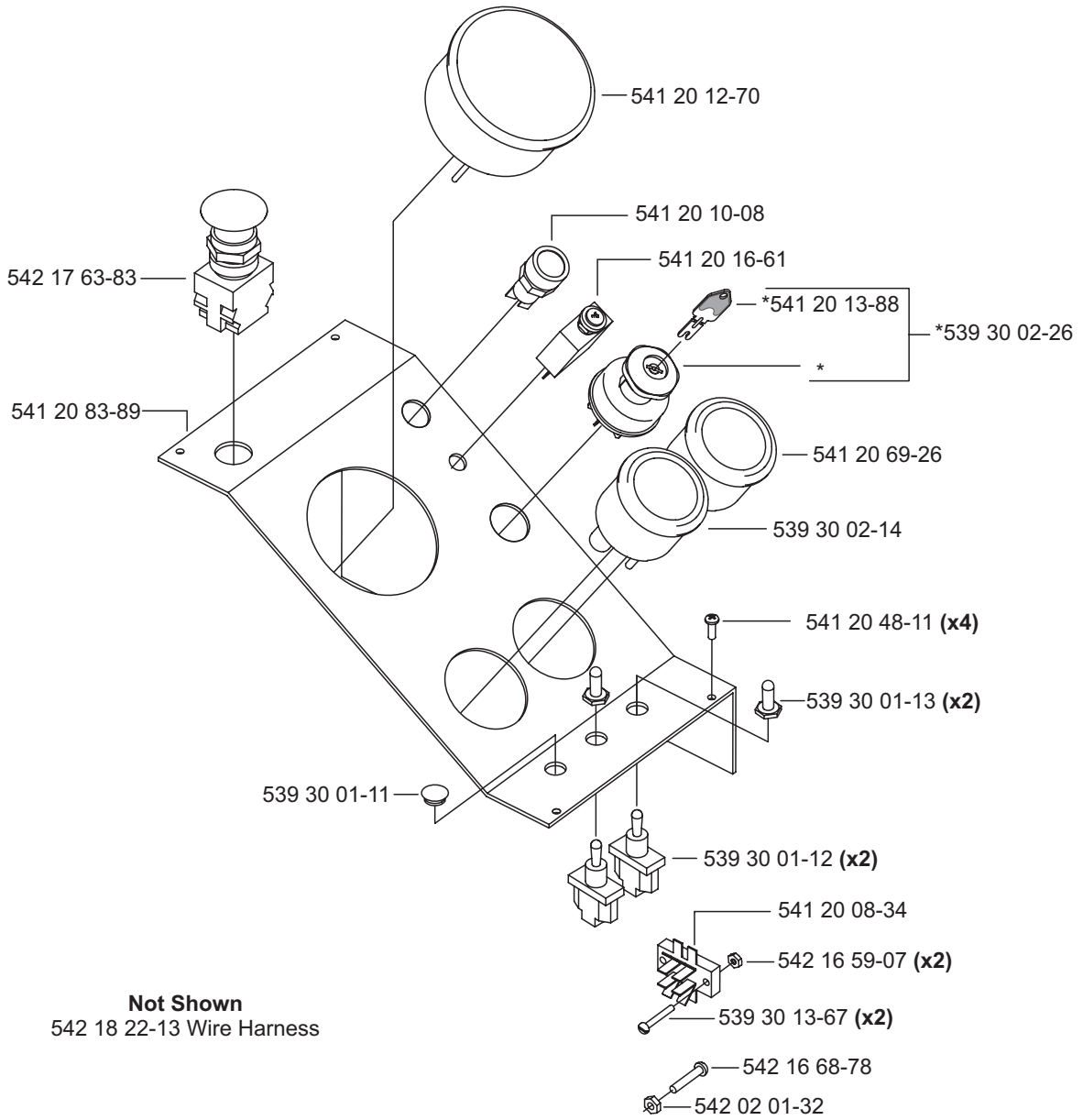


# E Instrument Panel

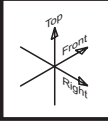
See Diag A



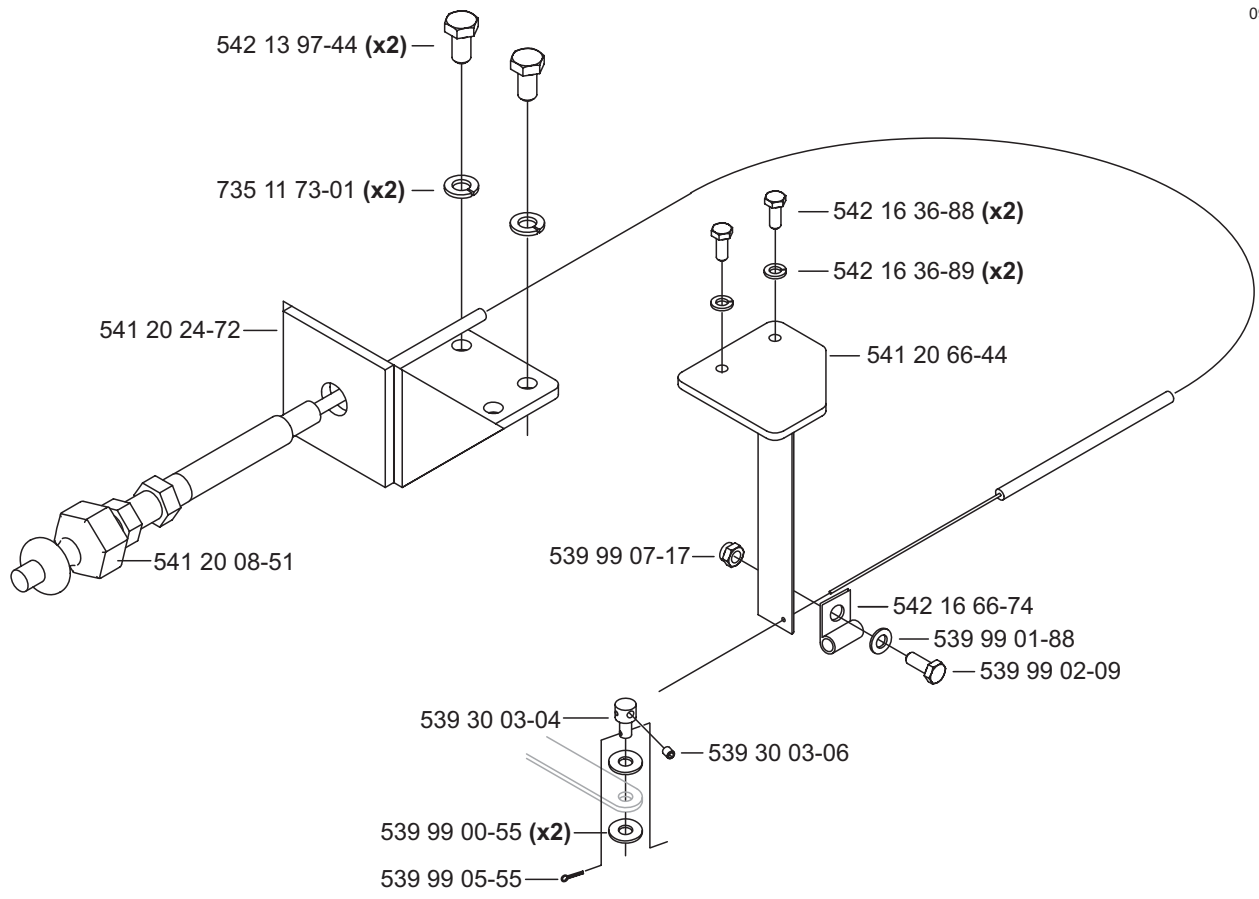
02.23.07



# F Throttle Assy



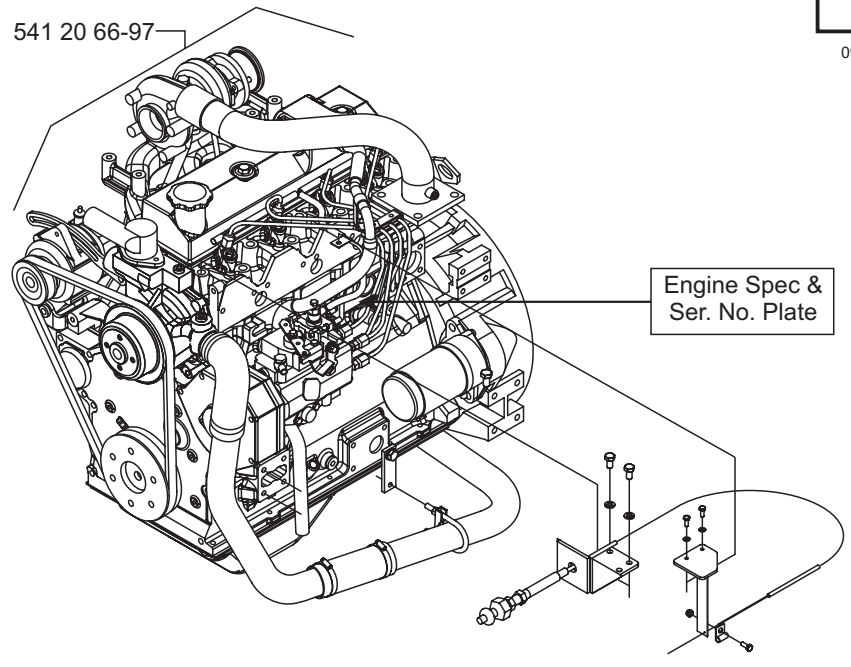
09.12.05



09.12.05

## Cummins B3.3 Service Parts:

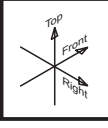
- 542 20 51-40 Oil Filter
- 542 20 51-41 Fuel Filter
- 542 20 51-42 V-Belt



### Not Shown

542 18 21-99 Wire Harness, Engine

# G Engine - Muffler, Air Cleaner Assy



02.23.07

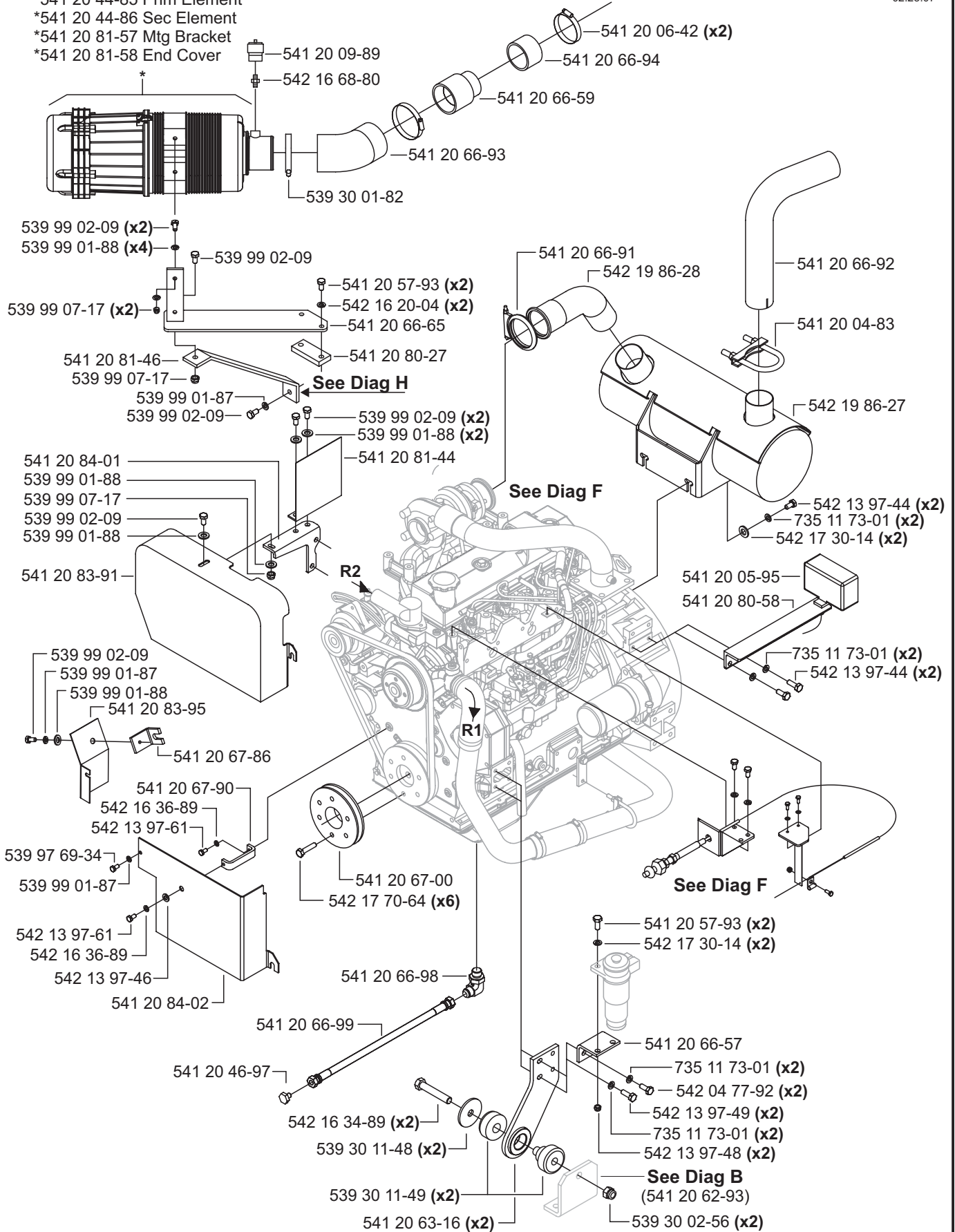
\*Compl Filter 539 30 10-73

\*541 20 44-85 Prim Element

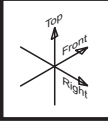
\*541 20 44-86 Sec Element

\*541 20 81-57 Mtg Bracket

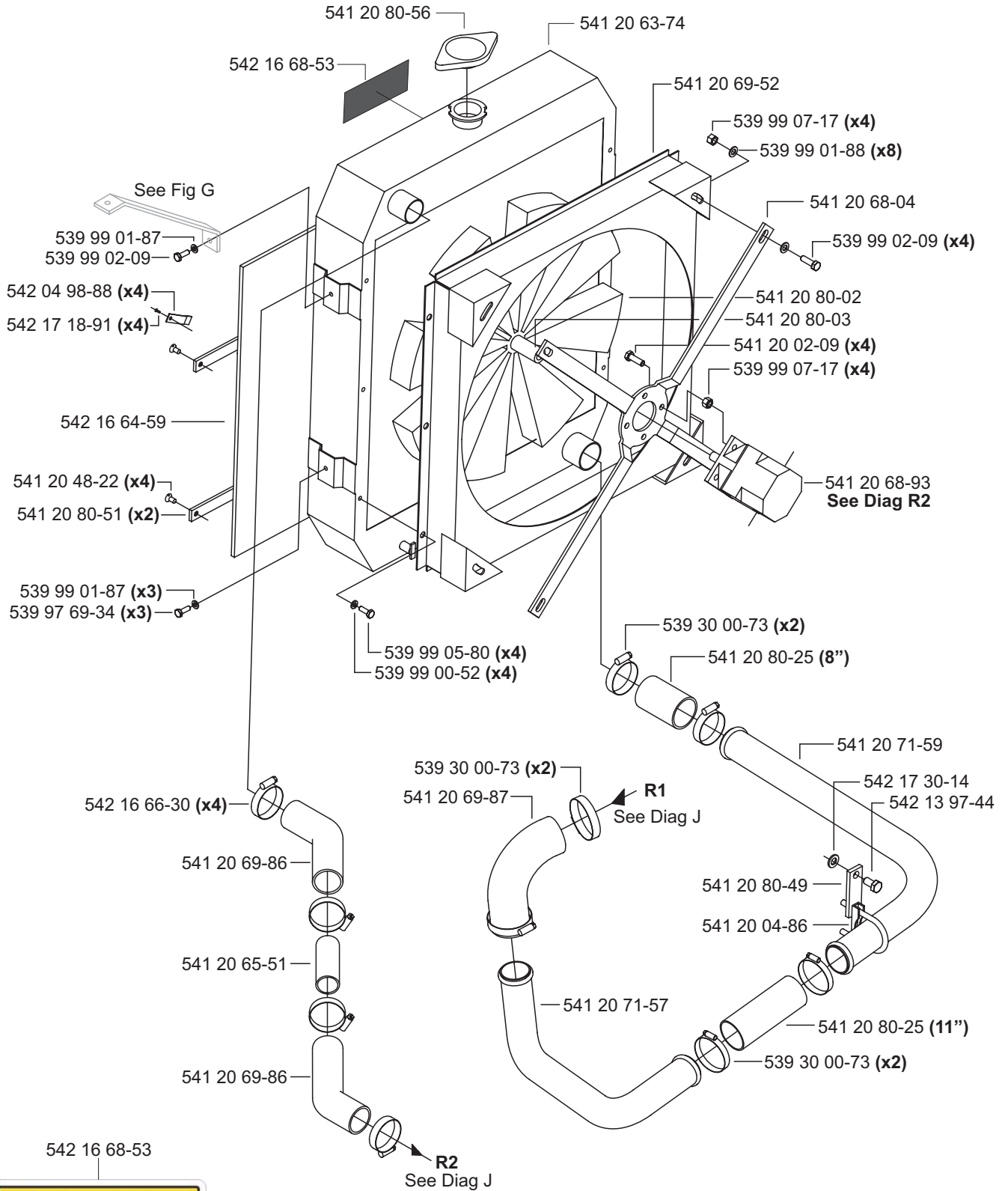
\*541 20 81-58 End Cover



# H Cooling System

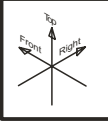


02.22.07

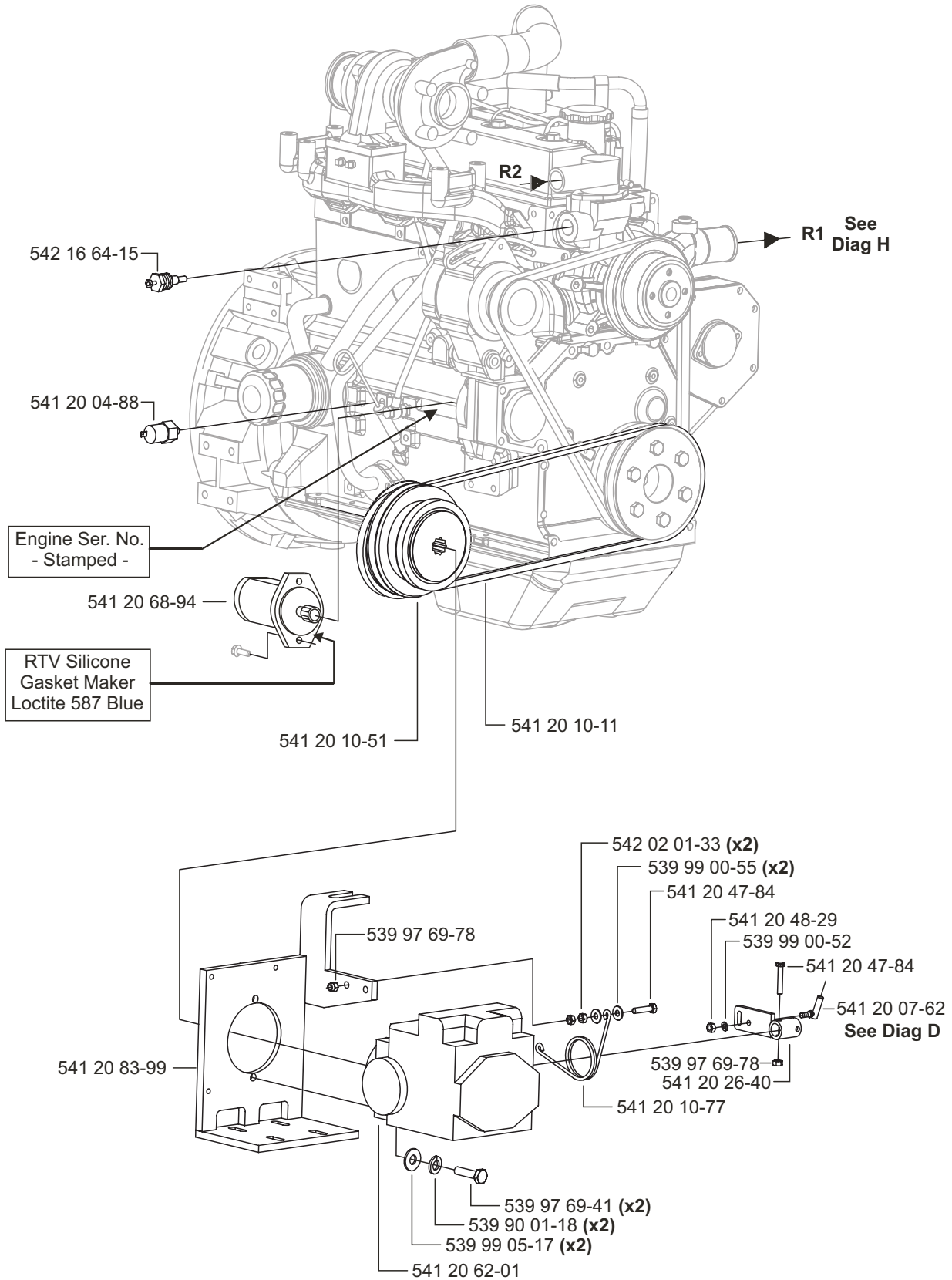


**CAUTION**  
Radiator filter must be in place or engine damage will occur. Clean filter as required or every 50 hours.

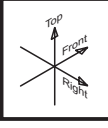
# J Engine - Pumps: Control & Steering



02.21.07

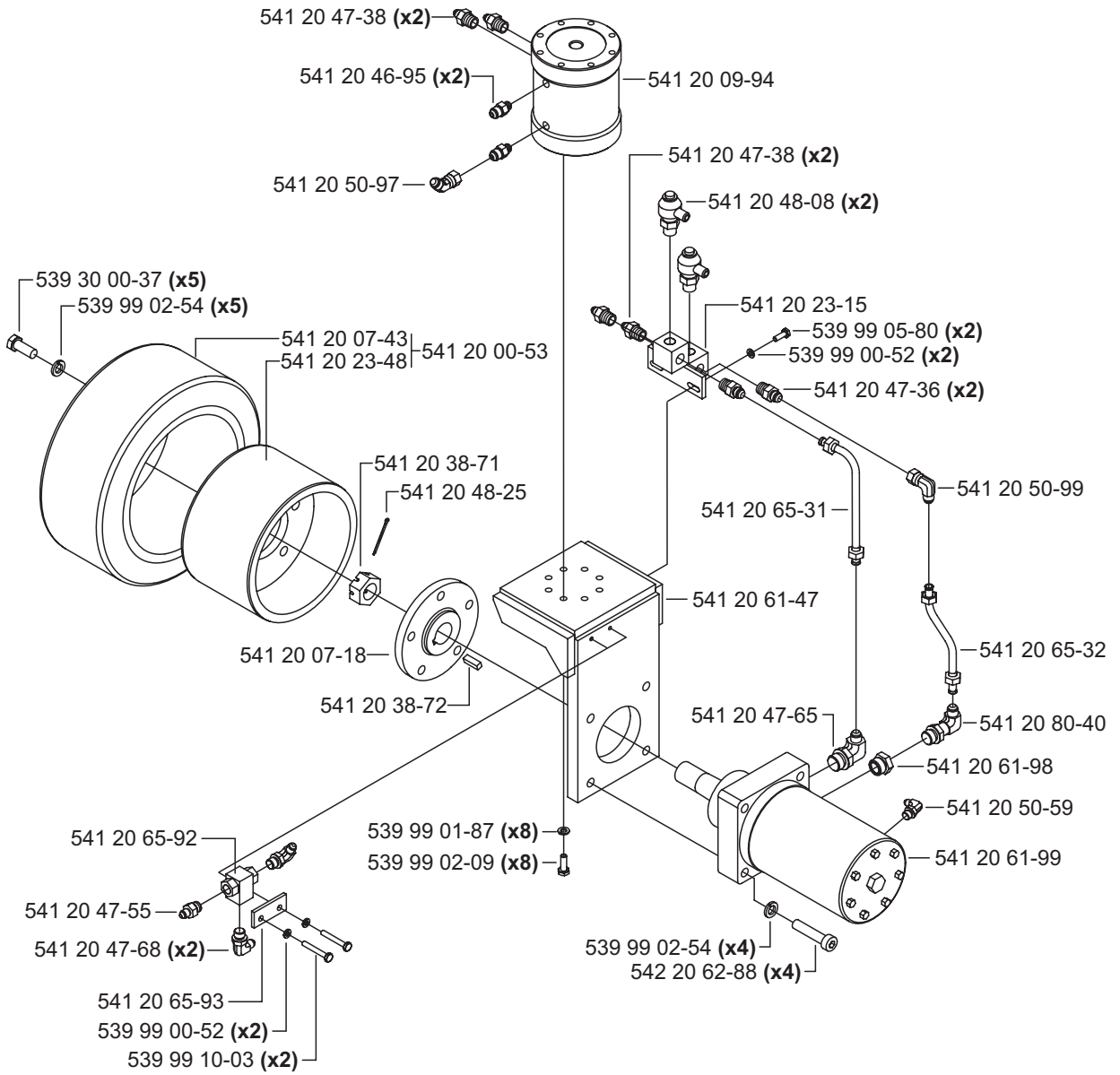


# K Drive Wheel



02.16.07

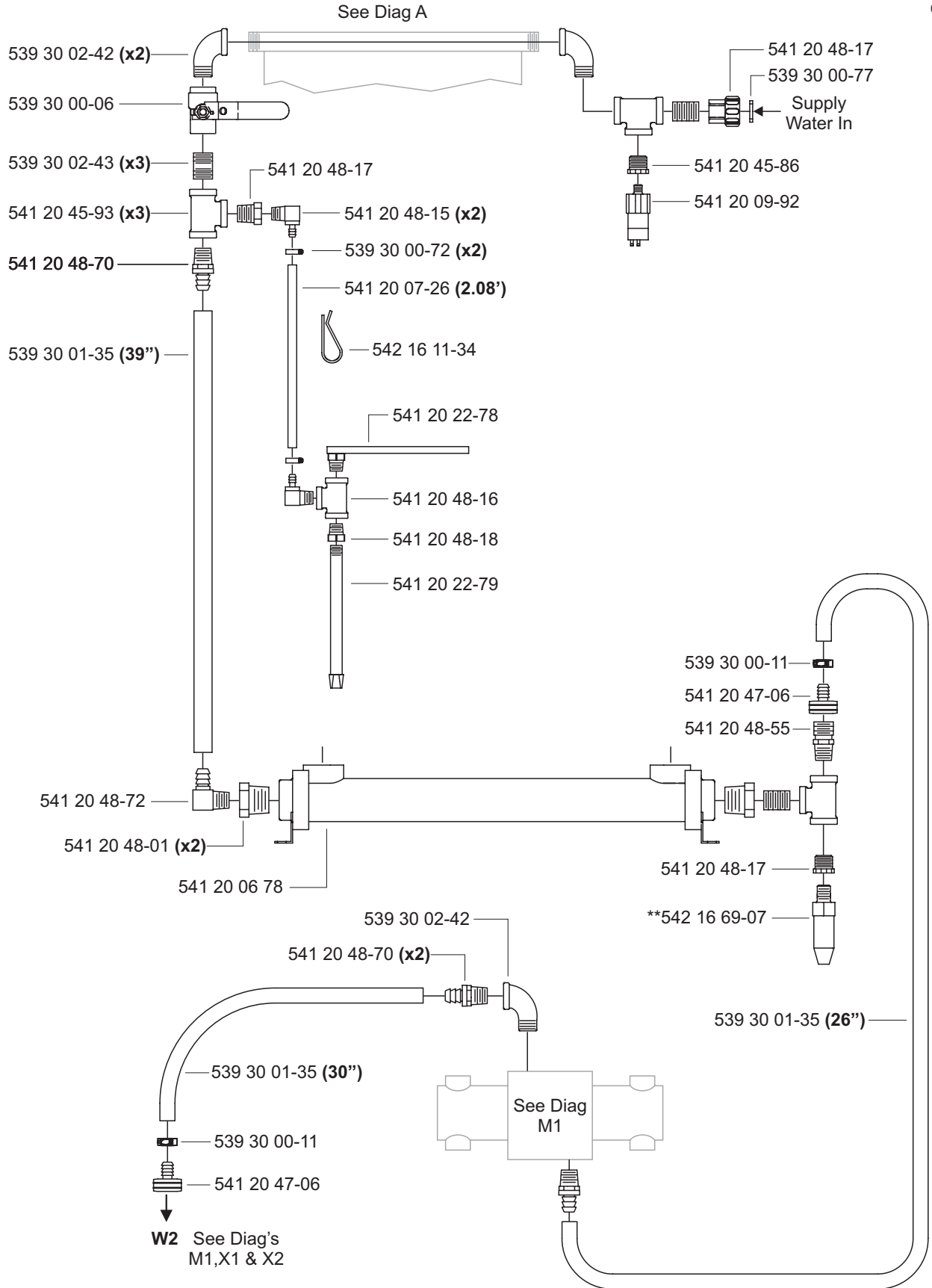
See Diag R2





# L Water System

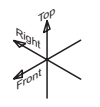
02.21.07



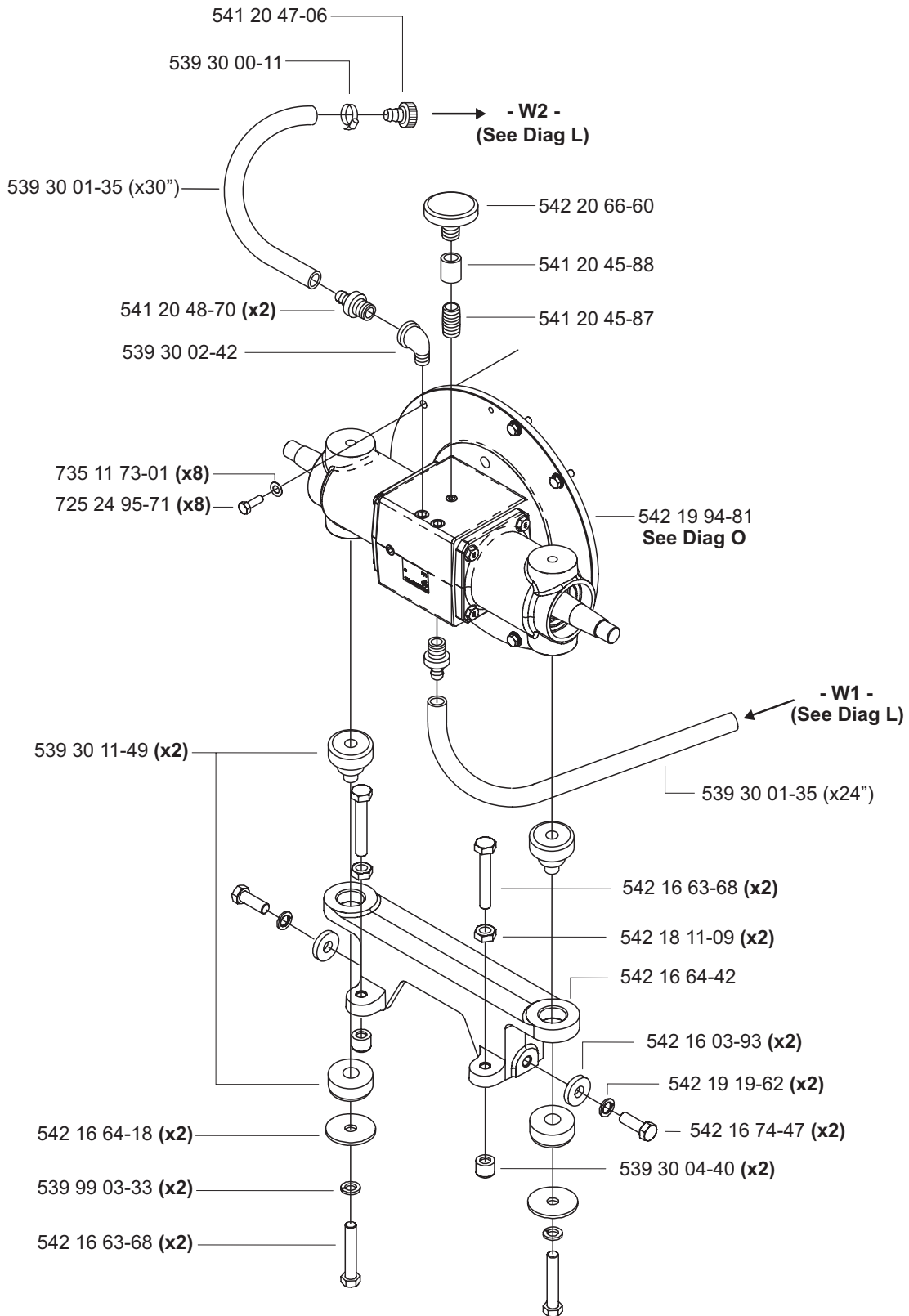
**\*\*NOTE:** Drain water when Temperature below 32°F (0°C).  
See Diag L for Drain valve.



# M Gearbox Mounting & Water Hoses

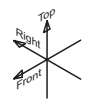


02.15.07

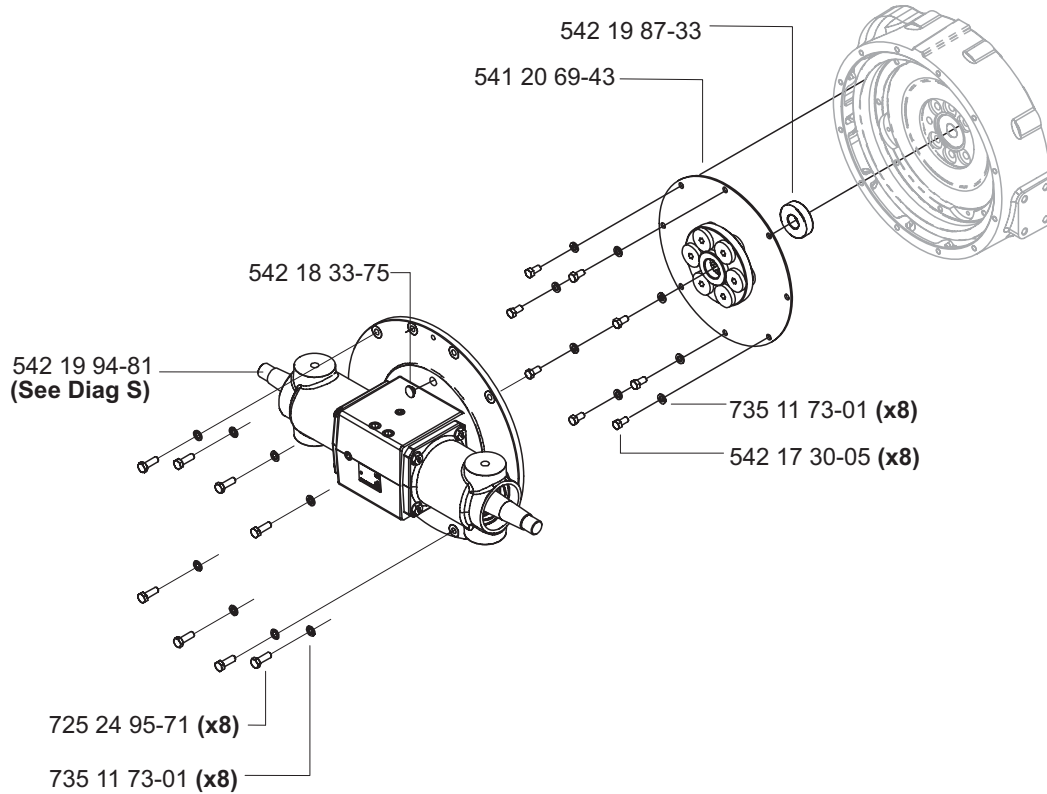


NOTE: Drain water when Temperature below 32°F (0°C).  
See Diag L for Drain valve.

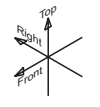
# N1 Engine Gearbox - Drive Plate



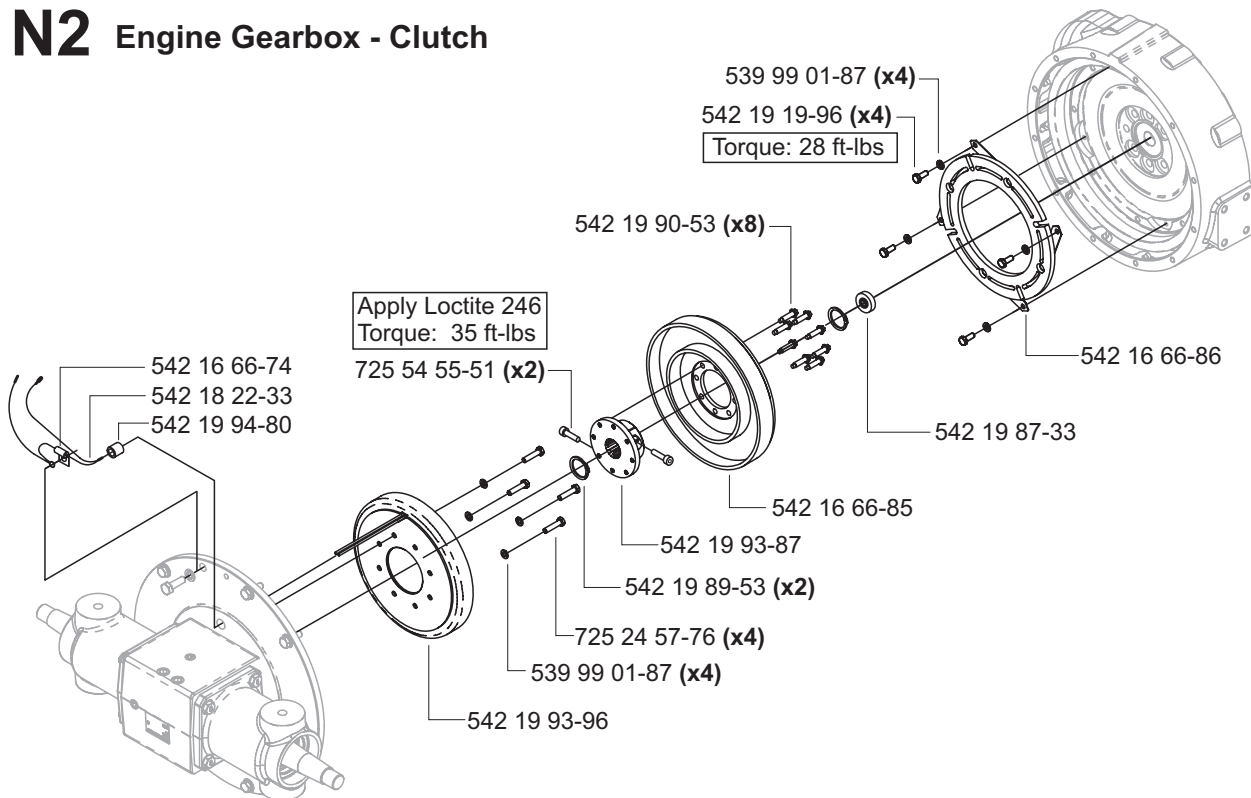
02.21.07



# N2 Engine Gearbox - Clutch



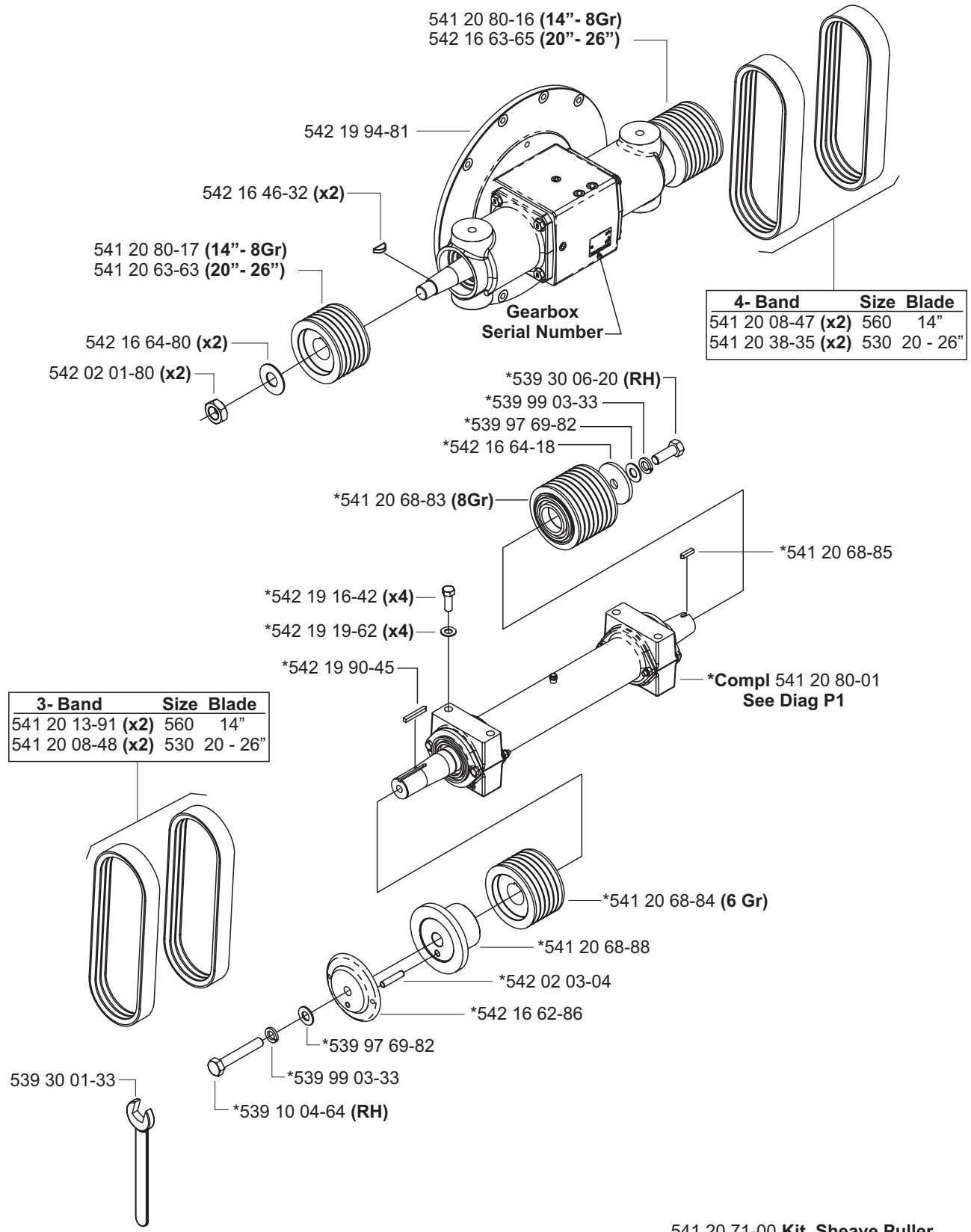
02.21.07



# Gearbox-Blade Shaft



02.16.07



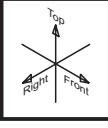
4- Band	Size Blade
541 20 08-47 (x2)	560 14"
541 20 38-35 (x2)	530 20 - 26"

3- Band	Size Blade
541 20 13-91 (x2)	560 14"
541 20 08-48 (x2)	530 20 - 26"

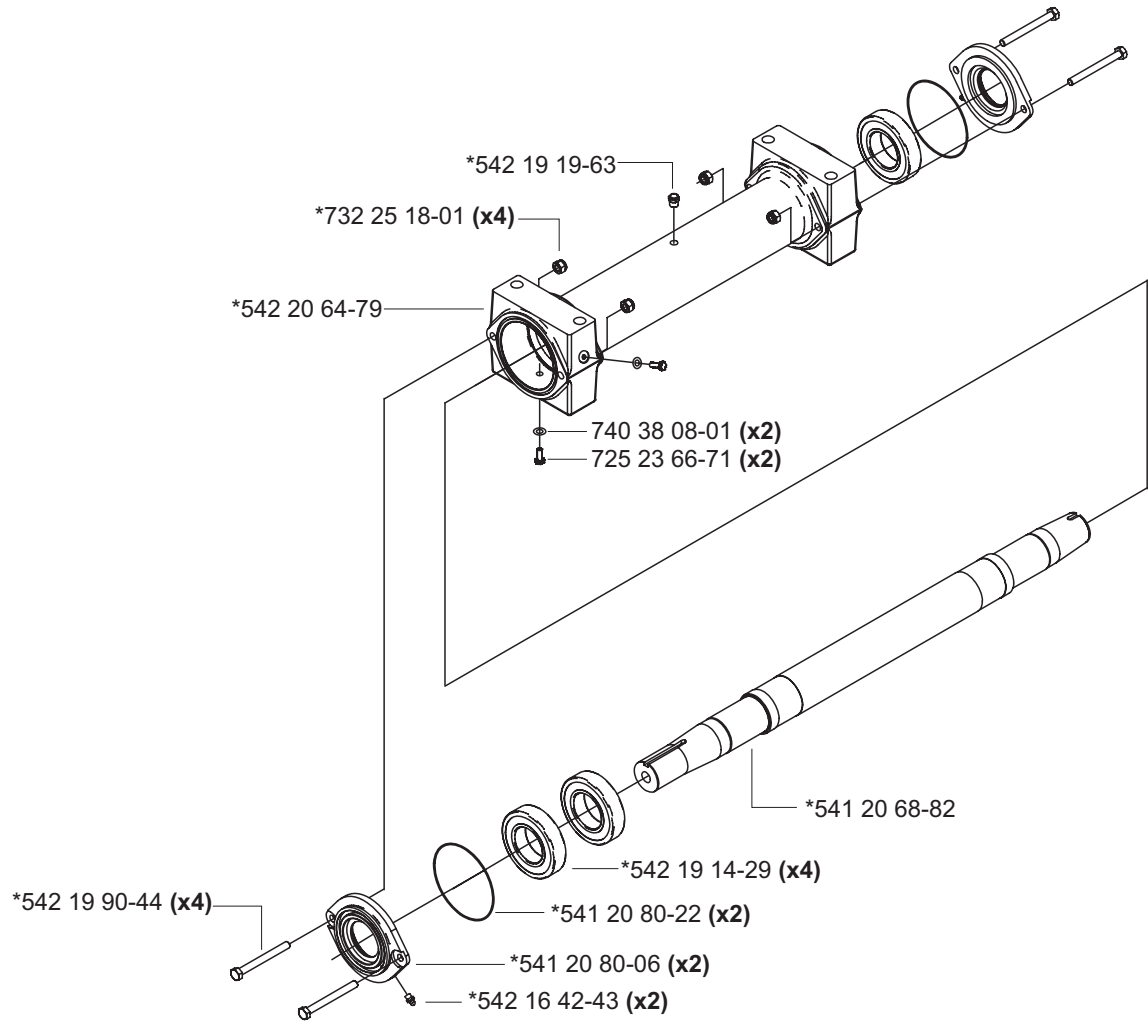
541 20 71-00 Kit, Sheave Puller (Optional)

# P Blade Shaft - Tapered

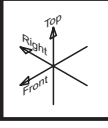
\* Compl 541 20 80-01  
See Diag O for other items included



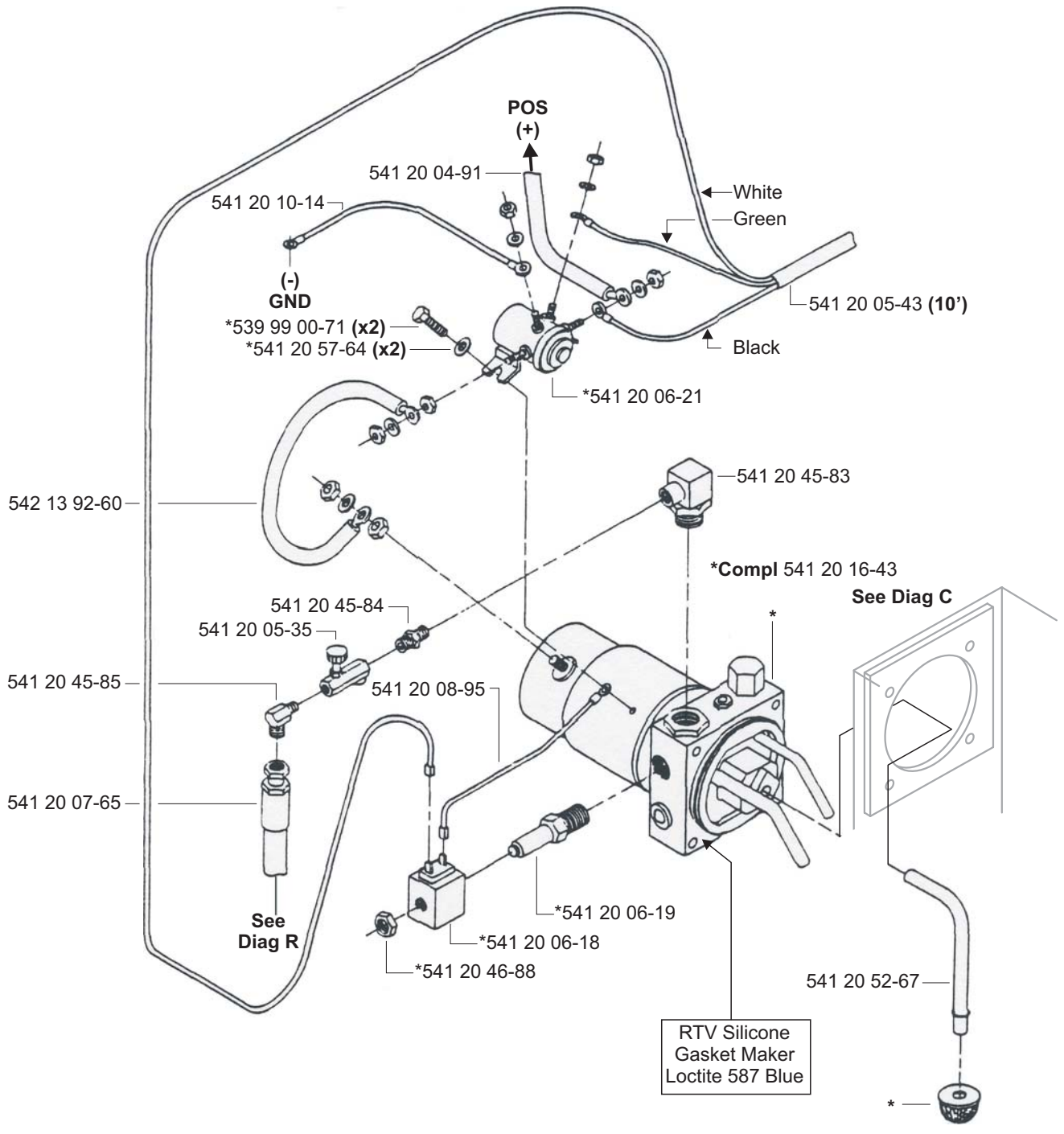
02.16.07



# Q Electro-Hydraulic Lift Pump

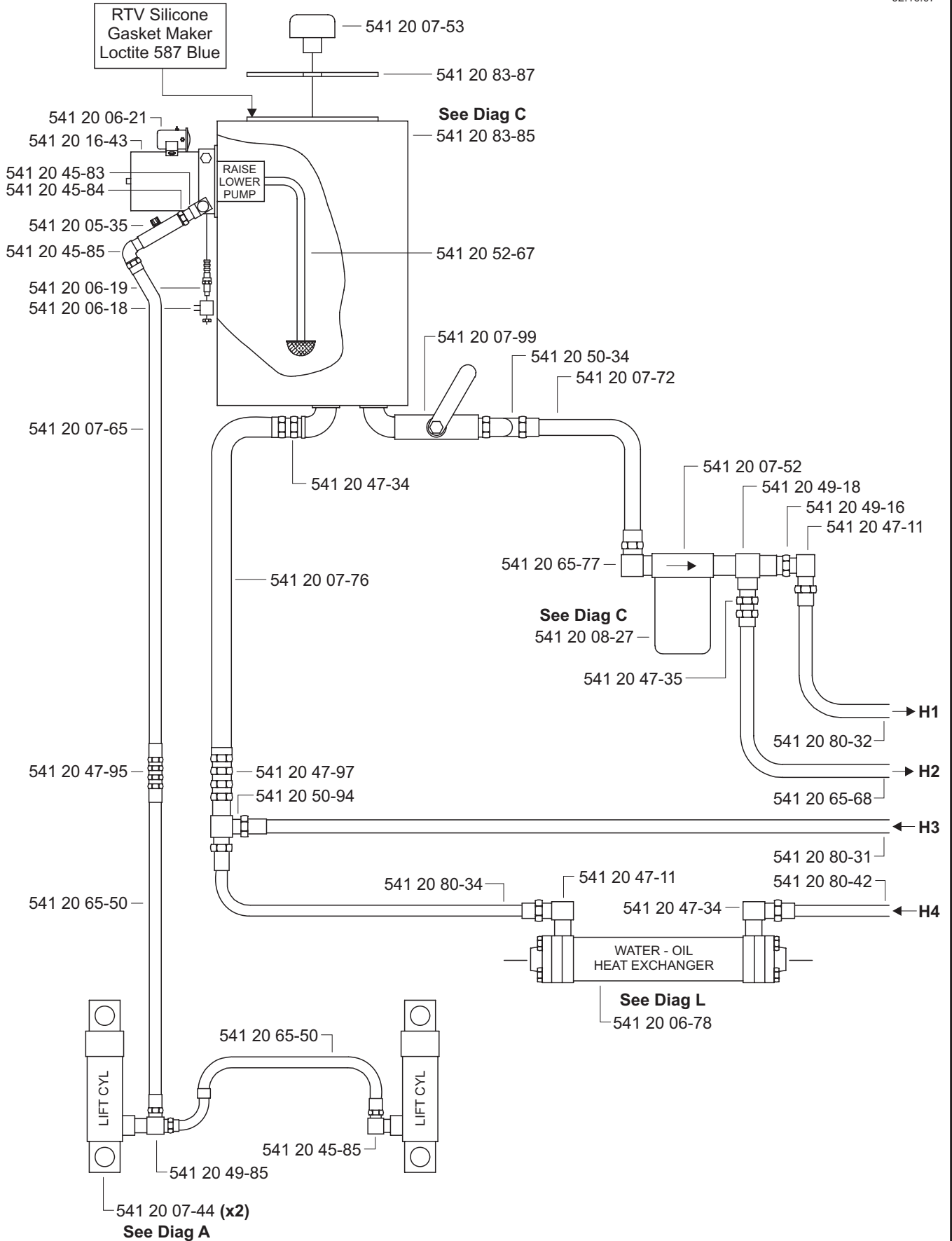


02.21.07



# R1 Hydraulic Assy - Part 1

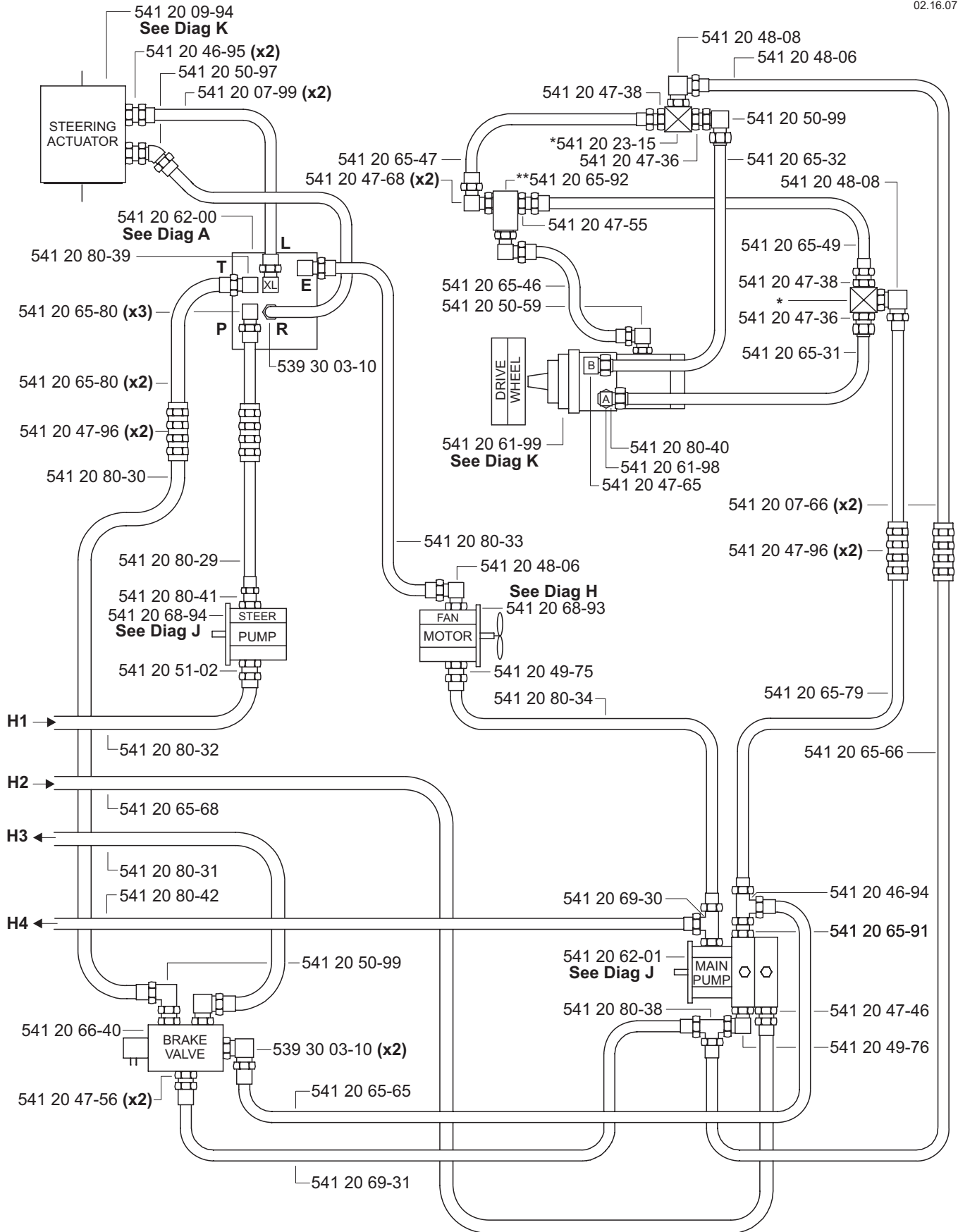
02.16.07



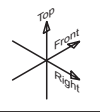
# R2 Hydraulic Assy - Part 2

02.16.07

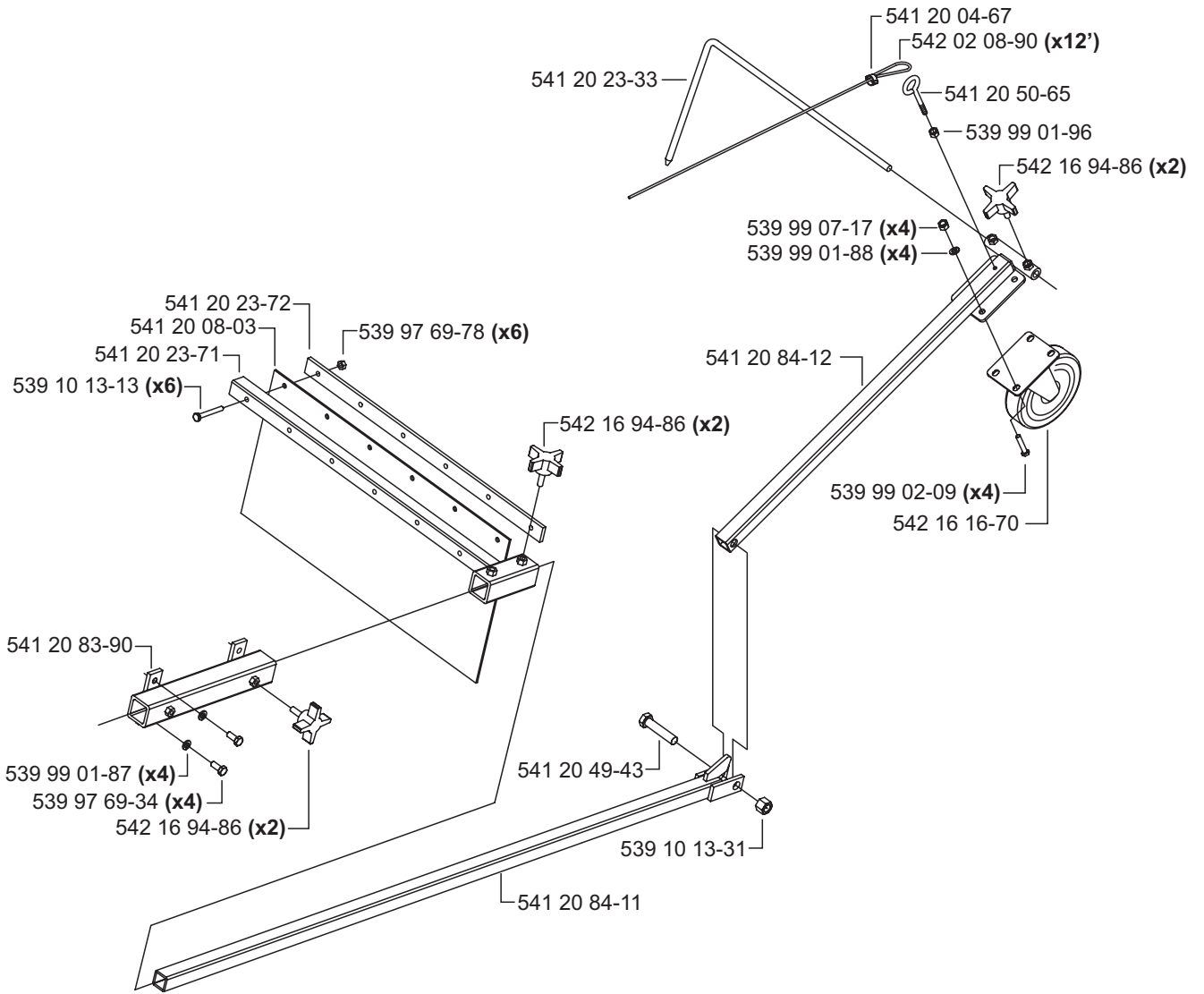
\*\* See Diag K



# S Flexible Pointer



02.16.07





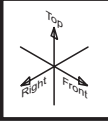
# X

## Blade Guard - Up Cut

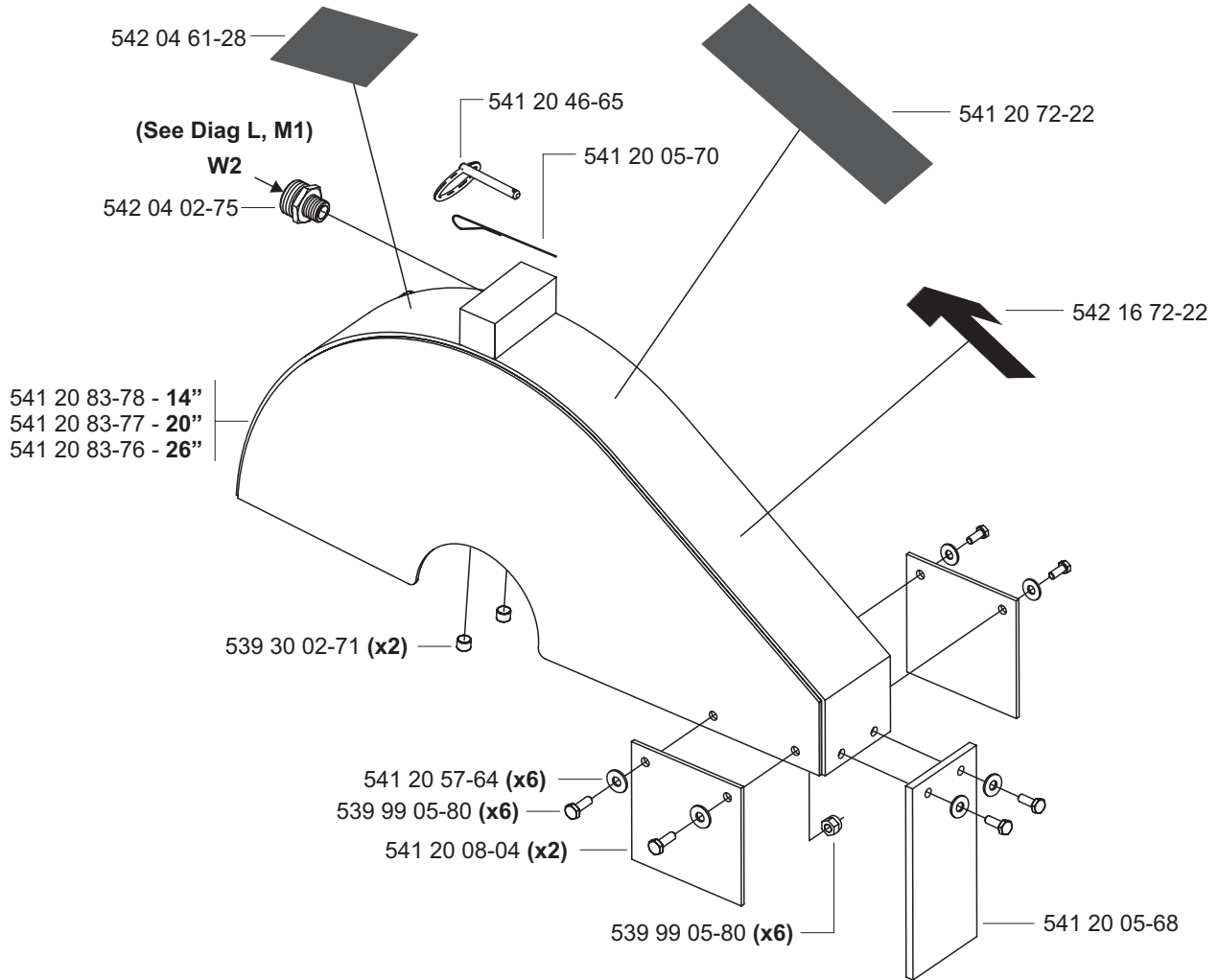
Compl 14" (356mm) - 541 20 69-77

Compl 20" (508mm) - 541 20 69-78

Compl 26" (660mm) - 541 20 69-79



02.16.07



541 20 72-22

**WARNING**

TO PREVENT SERIOUS INJURY  
DO NOT OPERATE SAW  
WITHOUT PROPER TRAINING  
& FULL UNDERSTANDING  
OF THE OWNERS MANUAL

WHEN OPERATING THIS MACHINE

KEEP ALL  
GUARDS IN  
PLACE

ALWAYS WEAR SAFETY APPROVED

- HEARING PROTECTION
- EYE OR FACE PROTECTION
- HEAD PROTECTION
- RESPIRATOR

S.M.I. SAW MANUFACTURERS INSTITUTE®

542 04 61-28

**WARNING**

DO NOT CHANGE TO A  
LARGER BLADE GUARD SIZE  
WITHOUT CHANGING TO  
PROPER BELT DRIVE, ENGINE  
SPEED AND BLADE FLANGES.  
FAILURE TO COMPLY COULD  
RESULT IN DEATH OR  
SERIOUS BODILY INJURY.  
SEE OPERATOR'S MANUAL FOR  
INSTRUCTIONS. IF YOU DO NOT  
HAVE AN OPERATOR'S MANUAL,  
CALL TOLL FREE 1-800-288-5040

542 16 72-89







**Husqvarna Construction Products N. A.**  
**Corporate Office**  
17400 West 119th Street  
Olathe, Kansas 66061  
Tel. 913-928-1000  
Fax 913-438-7951

Customer Service: 800-288-5040  
Customer Serv. Fax: 800-825-0028



### **DUST WARNING**



**Cutting, especially when DRY cutting, generates dust that comes from the material being cut, which frequently contains silica.** Silica is a basic component of sand, quartz, brick clay, granite and numerous other minerals and rocks. Exposure to excessive amount of such dust can cause:

- Respiratory diseases (affecting your ability to breath), including chronic bronchitis, silicosis and pulmonary fibrosis from exposure to silica. These diseases may be fatal;
- Skin irritation and rash; and
- Cancer according to NTP\* and IARC\*  
\* National Toxicology Program / International Agency for Research on Cancer

Take precautionary steps

- Avoid inhalation of and skin contact with dust, mist and fumes;
- Wet cut when feasible, to minimize dust;
- Wear and ensure that all bystanders wear appropriate respiratory protection such as dust masks designed to filter out microscopic particles. (See OSHA 29 CFR Part 1910.1200)

**California Prop 65 Warning:**

Use of this product can cause exposure to materials known to the State of California to cause cancer and/or birth defects or other reproductive harm.



Printed in the USA