

FS 8400

Spare Parts

Piezas de repuesto

Pieces de rechange

Ersatzteile

Reserveonderdelen

Ricambi

Peças sobresselente

Reservdelar

FS8400 Husqvarna

PART NO.	POS.	DESCRIPTION	PART NO.	POS.	DESCRIPTION
015 70 05-06*	D,E1	Hose Clamp, Worm Drive SAE 104	539 99 01-34	P1	HHCS, 3/8-16x3/4 Gr5
015 70 05-37*	R	Clamp, Hose SAE 285	539 99 01-87	P3	Lockwasher, 5/16
015 70 13-80*	W	Hose Clamp, Worm Drive SAE 56	539 99 01-87	V1	Lockwasher, Split 5/16
501 97 10-02	B	Belt Guard, RH, 3-Speed - Husq Gray	539 99 01-88	A	Flatwasher, 5/16 SAE
501 97 11-03	B	Belt Guard, LH, 3-Speed - Husq Gray	539 99 02-50	M	Washer, Flat 1/2" SAE
502 28 75-01	M	Bracket, Front Pointer - Husq Gray	539 99 02-54	C,Q2	Washer, Lock 1/2
502 29 81-01	P3	Arm, Shift Connector, Black	539 99 02-58	P3	Nut, Hex 1/2-13
502 53 13-01	AA	Flange Guard, 10" - H. Gray	539 99 03-33	Q1	Washer, Lock 5/8
504 00 21-01	X3	Manifold, Water 42" S/O	539 99 03-33	S1-2	Lockwasher, 5/8 Dia
504 01 82-02	X3	Blade Guard, Rear 42" S/O - Husq Gray	539 99 05-55	P1	Pin, Cotter 3/32 x 1/2
504 01 90-02	X3	Tube, Water, 42" S/O	539 99 05-63	Q1	HHCS, 3/8-16 x 1
504 01 91-02	X3	Blade Guard, Front 42" - Husq Gray	539 99 06-37	H	HHCS, 3/8-16x2-1/2 Gr5
504 01 94-01	X3,X4	Blade Guard - compl 42" S/O H Gray	540 07 12-01	N1	Pivot, Axle Rear
504 06 12-01	C	Pointer, Rear - Husq Gray	541 20 05-23*	Z	Grommet: 3/16"
504 11 97-03	S2	V-Belt 3VX580 5-Band	541 20 05-33	H	Bearing Flange, AF2436
504 11 98-01	E2	Decal: Tach Blade RPM/Gearbox - 7"	541 20 06-42	W	Hose Clamp, Worm Drive SAE 44
504 11 98-02	E2	Decal: Gearbox/RPM 3-Spd (26-42)	541 20 09-89	W	Gauge, Air Flow Restriction
504 11 98-04	E2	Decal: Tach Blade RPM/Gearbox - 8"	541 20 11-15	S2	V-Belt 3VX600 5-Band
504 11 98-05	E2	Decal: Gearbox/RPM 3-Spd (30-48)	541 20 11-18	S2	V-Belt 3VX560 5-Band
504 11 98-08	E2	Decal: Gearbox/RPM 3-Spd (18-30)	541 20 15-93	E1-2	Switch, E-Track Control
504 11 98-09	E2	Decal: Gearbox/RPM 3-Spd (20-36)	541 20 19-08	S1	V-Belt: 3VX500 - 5 Band
504 12 29-01	D	Decal: Operating, Std	541 20 20-61	H	Pulley, Depth Indicator
504 12 29-02	D	Decal: Operating, CE	541 20 45-91	Y	Fitting, Pipe Str Elbow, 3/4"
504 53 75-01	P3	Fitting, Pipe Expander/Extender	541 20 46-61	Y	Fitting, 3/4 MGHx3/4 FPT
504 53 96-01	P3	Fitting, Breather	541 20 47-56	U2	Fitting, Hydr Str 6JICx6SAE
504 54 29-01	X4	Bracket, Blade Guard, 42" S/O H Gray	541 20 47-68	U1,V1	Fitting, Hydr 90° Elbow 4JICx6SAE
504 54 39-01	X4	Bracket, Brace, Bld Grd Attach, 42" S/O	541 20 48-06	U1	Adapter 90° Elbow 8SAEx6JIC
504 54 43-01	X4	Rod, Threaded Custom	541 20 48-55	L2,P1	Fitting, 3/4GHx1/2MPT
504 54 55-01	P3	Handle, 3-Spd Shifter	541 20 48-70	P1	Fitting, 1/2Hx1/2MPT
504 54 85-01	P3	Fitting, Hose Barb	541 20 49-11	V1	Fitting, Cap - 6JIC
504 54 86-01	P3	Fitting, Street Tee	541 20 49-83	V1	Fitting, Hydr Run Tee - 6JIC
504 54 87-01	P3	Fitting, Pipe Swivel Union	541 20 49-91	N1	Fitting, Hydr Str Adapter 10SAE-6JIC
504 54 88-01	P3	Valve, Drain	541 20 50-11	O2,V1	Fitting, Hydr Str Adapter 4SAE-4JIC
504 55 83-01	X4	Kit, Blade Guard - compl 42" S/O	541 20 53-01	M	HHCS, M16-2.00x80
504 55 84-01	X4	Kit, Attachment Blade Guard - 42" S/O	541 20 66-91	Q1	Clamp, Exhaust 3.3 Turbo
504 55 85-01	B	Spacer, Spade - Narrow	541 20 68-88	S1-2,T	Flange, Inner 5" Dia, 18"-26"-30"
504 55 97-01	P4	Decal: Gearbox Operation	541 20 69-43	P1	Flywheel Coupling Assy
504 57 16-01	H	Pointer, Depth Indicator	541 20 71-05	P1	Belt Guard, Alternator, Black
504 58 03-02	B,AA	Chain Loop, Tiedown	541 20 71-91	N1	Rear Axle, Black
504 62 84-01	A	Decal: Depth Indicator - CE	541 20 80-06	T	Flange End Cover
504 63 01-01	A	Decal: Depth Indicator Setting - CE	541 20 80-22	T	O-Ring -044
504 73 22-01	P1	Belt, Serpentine JD Engine	541 20 84-15	L1	Cowling, Front - Husq Gray
504 73 23-01	P1	Pulley, Crankshaft, JD Engine	541 20 84-16	D	Cowling, Top Cover - Husq Gray
504 82 94-01	B	Spade, Blade Guard - Narrow	541 20 84-18	F	Cowling, Side LH - H Orange
504 83 68-01	S1-2	Seal, Gearbox Input Shaft	541 20 84-19	G	Cowling, Side RH - H Orange
504 83 68-02	S1-2	Seal, Gearbox Output Shaft	541 20 84-21	L2	Cowling, Rear - Husq Gray
504 85 56-01	Z	Light, 12V	541 20 84-22	Q1	Frame, Lift Bail - Husq Gray
539 10 13-31	F,G	Nut, Lock 1/2-13, Nyloc	541 20 84-23	A	Shield, Alternator - Husq Gray
539 10 25-35	N1	Cap, Grease	541 20 84-24	D1	Bracket, Shield Mount - H. Orange
539 10 26-53	S1-2	Washer, Flat 5/8"	541 20 84-25	Q1	Mount, Engine - Husq Gray
539 30 00-10	S1-2	Pin, Dowel 3/8" Dia x 1.75"	541 20 84-26	B	Angle, Belt Guard Mount - Husq Gray
539 30 00-11	L2,P3,Y	Clamp, Hose SAE006	541 20 84-27	L2	Hanger, Hose - Husq Gray
539 30 00-69	K	Filter, Fuel, Inline 5/16"	541 20 84-28	A	Guard, Engine, LH - H. Orange
539 30 01-11	E1-2	Plug, Hole 1/2"	541 20 84-30	A	Bracket - Husq Gray
539 30 01-13	Y	Switch Boot, Grey	541 20 84-31	B	Spacer, Spade - Husq Gray
539 30 01-20	O1	Bearing, Pillowblock 1.25	541 20 84-32	B	Belt Guard, RH, 1-Speed - Husq Gray
539 30 01-23	O1	Collar, Set 1" OD	541 20 84-33	B	Belt Guard, LH, 1-Speed - Husq Gray
539 30 01-33	S1-2	Wrench, 15/16" Open End	541 20 84-34	B	Flange Guard, 5" - Husq Gray
539 30 02-43	L2	Fitting, Close Nipple, 1/2" Pipe	541 20 84-35	B	Flange Guard, 8" - Husq Gray
539 30 02-68	H	Cotter Pin, 1/8"	541 20 84-37	O1	Front Axle, FS8400 - Husq Gray
539 30 03-04	P1	Pin, Pivot	541 20 84-39	X1	Blade Guard, Rear - 30" H Gray
539 30 03-06	P1	SHSS, 10-32 x 1/4	541 20 84-40	X1	Cover, Blade Shaft - H Gray CE
539 30 03-10	U1,V1	Adapter, 90° EI 6 SAE x 6 JIC	541 20 84-42	X5	Blade Guard, Rear 48" - Husq Gray
539 30 03-40	F,G	Handle Bar, 1"	541 20 84-44	X1	Blade Guard, Rear - 36" H Gray
539 30 04-40	Q1	Cap, Bolt	541 20 84-45	X1	Blade Guard, Rear - 26" H Gray
539 30 11-53	H	Switch, Depth Stop	541 20 84-46	X1	Blade Guard, Front - 26" H Gray
539 30 13-66	H	Nut, Lock 6-32 Nyloc	541 20 84-47	X1	Blade Guard, Rear - 18" H Gray
539 30 13-67	H	RHMS, 6-32x1 Slotted	541 20 84-49	A	Frame FS8400 - Husq Gray
539 97 69-34	V1	HHCS, 5/16-18x3/4	541 20 84-52	X4,X5,X6	Latch, Blade Guard - Husq Gray CE
539 97 69-79	H	Nut, Hex 3/8-16	541 20 84-54	X6	Blade Guard, Rear 60" - Husq Gray
539 97 69-82	,X1,X2,X4,AA	Washer, Flat 5/8 SAE	541 20 84-55	X6	Blade Guard, Front 60" - Husq Gray
539 97 69-82	B,C,Q1,S1-2,	Washer, Flat 5/8 SAE	541 20 84-56	A	Guard, Engine, RH - H. Orange
539 99 00-52	V1	Washer, Lock 1/4, S/T	541 20 84-57	X4,X6	Brace, Blade Guard Internal
539 99 00-55	B,P1,U1	Washer, Flat 1/4"	541 20 84-58	X2	Blade Guard, Rear, 42" B/O H-GRY
539 99 00-71	V1	HHCS, 1/4-20x1/2	541 20 84-59	X2	Blade Guard, Front, 42" B/O H-GRY
539 99 01-18	P1,Q1,V1	Washer, Lock 3/8, S/T	541 20 84-60	AA	Frame Extension, FS8400 - Husq Gray
539 99 01-22	H	Washer, Flat 3/8 SAE	541 20 84-61	X2,X4	Shaft Cover, 42" CE - Husq Gray

NOTE: Part No's. that have an ASTERISK (*) suffix may not be active 9-digit numbers. The '542' prefix has been added to current 6-digit part numbers and '0' to 7 and 8-digit numbers.

FS8400 Husqvarna

PART NO.	POS.	DESCRIPTION	PART NO.	POS.	DESCRIPTION
541 20 84-62	D	Bracket, Throttle Cable - H. Gray	542 13 97-64*	X4	CB, M8-1.25 x 25, 4.6
541 20 84-63	B	Spade, Slip-On, Low Shaft - LH - H. Gray	542 16 01-72*	D,E1,P1	Cable, Throttle
541 20 84-64	B	Spade, Slip-On, Low Shaft - RH - H. Gray	542 16 01-96*	M	Pointer, Rod
541 20 84-65	X2	Brace, Front - Husq Gray	542 16 03-93*	Q1,Q2,S1-2	Washer, Flat 1-3/4OD x 11/16 x 5/16
541 20 84-66	B	Sheave Guard, Low Shaft - RH - H Gray	542 16 07-04*	P1	Petcock, 1/4" NPT
541 20 84-67	B	Sheave Guard, Low Shaft - LH - H Gray	542 16 08-40*	Q1	Mach Screw, Soc Button Hd, M6 -1.0x12
541 20 84-68	AA	Belt Guard RH 60" - Husq Gray	542 16 24-96*	U1	SHCS, 1/4-20 x 3/4 GR8
541 20 84-69	AA	Bracket, Guard Mount, RH - H Gray	542 16 31-86*	I	Bushing, Brass
541 20 84-70	AA	Belt Guard LH 60" - Husq Gray	542 16 31-88*	X1	Spring, Extension - SS
541 20 84-71	AA	Bracket Guard Mount, LH - H Gray	542 16 32-14*	P3	Knob, 1.5 Dia
541 20 84-72	AA	Cover, Shaft - Husq Gray	542 16 32-45*	F,G,S2	Grommet, 5/8" I.D.
541 20 84-73	X7	Brace, Blade Guard Ext 60" - H. Gray	542 16 32-72*	S1-2,T	Flange, Outer w/Pin - 6" QDS, 36"
541 20 84-74	X7	Brace, Blade Guard 60" - Husq Gray	542 16 32-75*	X1,X2,X3,X5,X6	Guard, Splash - 3.50" x 12"
541 20 84-75	AA	Angle, Belt Guard Mount 60" - H. Gray	542 16 33-19*	V2	Valve, Check Cart.
541 20 84-76	X2	Bracket, Bld Grd Brace 42" - H. Gray	542 16 33-21*	V2	Valve, Adj. Relief
541 20 84-84	X5	Bracket, Brace 48" - Husq Gray	542 16 33-24*	V2	Cap, Filler-Breather
542 02 00-49*	F,K	Clamp, Hose SAE004	542 16 33-26*	V2	Strainer, Pump
542 02 00-50*	R	Clamp, Hose SAE32	542 16 33-50*	V2	Spring, Valve
542 02 01-32*	E1-2	Nut, Hex, #10-24	542 16 33-95*	X1	Clamp, Water Tube
542 02 01-36*	M	Nut, Hex, 3/8-16	542 16 34-87*	S1-2	HHCS, 5/8-11 x 3-1/2 Gr8 R.H.
542 02 01-77*	V2	Nut, Thin Jam	542 16 34-88*	S1-2	HHCS, 5/8-11 x 3-1/2 Gr8 L.H.
542 02 01-80*	N1,S1-2	Nut, Hex Jam Thin 1"-14 UNF	542 16 34-89*	S1	HHCS, 5/8-11x4.25 RH Thd Gr BD
542 02 01-97*	Z	Locknut, Fiber 5/16-18	542 16 34-90*	S1	HHCS, 5/8-11x4.25 RH Thd Gr BD
542 02 01-99*	I	Locknut, Fiber 3/8-16	542 16 35-82*	M	Wheel, 5"
542 02 02-01*	X6	Locknut, Fiber 1/2"-13	542 16 36-56*	P4	Hose, Water 1/2IDx60" 3/4"FGHx1/2"MPT
542 02 02-16*	C,N1	Locknut, Flex 1/2"-20 UNF	542 16 36-72*	G,L1	Grommet, 3/4 I.D.
542 02 02-44*	B	Nut, Lock Wing 1/4-20	542 16 36-88*	G,I	HHCS, M6 -1.0 x 16
542 02 02-96*	Y	Nipple, Close Pipe 3/4" Steel Galv	542 16 36-89*	G,Q1	Lockwasher, Split M6
542 02 03-04*	S1-2	Pin, Dowel 3/8" Dia x 1.5"	542 16 39-27*	AB	Weight - Black
542 02 03-13*	Z	HHCS, 5/16-18 x 3/4 Gr5	542 16 39-86*	X2,X3,X5,X6	Decal: Blade Direction - LH
542 02 03-52*	C,Q2,X6	HHCS, 1/2"-13 x 5	542 16 42-43*	T	Fitting, Grease 1/4 -28
542 02 03-77*	M	HHCS, 3/8-16x1-1/2	542 16 42-97*	O1	Fitting, Grease
542 02 05-51*	O1	SHSS, .3125-18 x .25 Cup Pt	542 16 43-70*	N2,Y	Terminal Tab, Insulated Push On, Male
542 02 05-87*	E1-2,P1	HWHSTS, 10-24x.375 Type F	542 16 46-32*	N1,S1-2	Key, Woodruff (ANSI #808)
542 02 06-16*	N1	Pin, Cotter .125 x 1.50	542 16 49-54*	U1	SHCS, M10-1.5 x 25 Lo Hd Gr8
542 02 07-39*	P1	Washer, Flat #10	542 16 60-38*	F,G,Z	Knob, 1.25 x 3/8-16UNC 2A
542 02 07-45*	C,I	Washer, Flat 1/2"	542 16 61-21*	V2	Starter Switch - 12VDC
542 02 07-64*	V1	Washer, Flat 3/8 SAE	542 16 62-21*	E1-2	Hour Meter
542 02 07-77*	A	Lockwasher, 5/16 Hi-Collar	542 16 63-07*	S1-2,T	Flange, Outer w/Pin - 5" QDS, 18"-30"
542 02 07-88*	S1	Lockwasher, Split 1/2"	542 16 63-51*	P1,P2	Bearing 6305-2RS
542 02 08-64*	X1,X6	Plug, Soc Hd 1/8 NPT Brass	542 16 63-52*	Q1	Isolator, Engine
542 02 08-90*	M	Sash Cord, 1/4 Dia #85 (10 Ft)	542 16 63-56*	Q1,AA	HHCS, M16 -2.0 x 100
542 02 14-16	P3	HHCS, .3125-18 x 1 GR 5 Z/P	542 16 63-59*	E1-2	Temp Gauge
542 03 08-22*	C,H	Pulley w/ Stud	542 16 63-68*	Q1	HHCS, M16 -2.0 x 90
542 03 23-66*	H,X6	Nut, KEPS 5/16"-18	542 16 63-93*	R	Cap, Radiator, 10psi
542 04 02-61*	L2	Valve, Ball 1/2"	542 16 64-13*	F	Tank, Coolant Recovery
542 04 02-75*	X1,X2,X3,X5,X6	Adapter, 3/8"MPT x 3/4MGH	542 16 64-38*	E1-2	Voltmeter
542 04 03-30*	D	Spring, Rad. Filter	542 16 64-42*	Q1	Support, Engine Rear
542 04 11-75*	O1	Fitting, Grease	542 16 64-48*	V1	Filter Head
542 04 32-03*	M	Clamp, OETIKER 1/2"	542 16 64-49*	V1	Filter, Spin-On
542 04 56-40*	L2	Washer, Filter	542 16 64-59*	D	Filter, Radiator
542 04 56-42*	L2	Washer, Swivel-Filter 1/2"NPT x 3/4 GH	542 16 64-66*	I,U1	Rod End, #10-32UNF
542 04 61-01*	X1	Washer, Fiber 13/32 ID	542 16 64-80*	S1-2	Washer, Flat 1.030 x 2.25
542 04 61-28*	X1,X2,X3,X5,X6	Decal: Warning (Bld Grd Size)	542 16 64-91*	F,G	Set Collar, 1" I.D.
542 04 64-02*	O1	Washer, Flat 1.03125	542 16 65-94*	V2	Coil, Solenoid - 12VDC
542 04 64-25*	M	Washer, Bowed Spring	542 16 66-22*	E1-2	Fuse Block
542 04 87-40*	V1	HHCS, 3/8-16 x 1.25 Gr5	542 16 66-24*	D	Fastener, Tufflock
542 04 91-54*	X2,X3,X5	Hinge 4" Width Z/P	542 16 66-30*	R	Clamp, Hose SAE24
542 04 91-96*	X2,X5,X6	Manifold, Water	542 16 66-72*	P1	Clamp, Vinyl Coated 1/4 x 5/16
542 04 92-06*	X2,X5,X6	Gasket, Manifold	542 16 66-74*	P2	Clamp, Vinyl Coated 3/8 x 3/8
542 04 92-12*	X2,X5,X6	Clamp, Water Tube	542 16 66-85*	P2	Rotor Assy, Electric Clutch
542 05 21-20*	Z	Switch, Toggle 2X464	542 16 67-07*	E1-2	Key Switch
542 07 20-86*	X4	Nut, Wing, M8-1.25	542 16 67-08*	E1-2	Relay (Tech Serv Bull 07.27.05TSB)
542 09 05-52*	Y,Z	Plate, Switch	542 16 67-50*	X1	Manifold, Water - 3"
542 13 64-76*	W	Hose Clamp, Worm Drive SAE 64	542 16 68-15*	X1	Tube, Water, 30" Blade Guard
542 13 80-59*	AB	Bracket, Weight, Black	542 16 68-16*	X1	Latch, Blade Guard, Slip-on
542 13 95-68*	F,G	Grips, Handle	542 16 68-46*	X1	Tube, Water, 36" Blade Guard
542 13 96-49*	P1	Adapter, 1/2 NPT x 3/8 NPTF	542 16 68-53*	A	Decal: Caution/Radiator Filter
542 13 97-38*	X2,X5,X6	Locknut, Fiber M8	542 16 68-54*	E1-2	Key, Ignition Set/2
542 13 97-41*	C,AB	HHCS, M12-1.75 x 30 FT	542 16 68-55*	E1-2,Y,Z	Fuse, 10A Push In
542 13 97-42*	I,R	Locknut, Fiber M12 -1.75	542 16 68-57*	E1-2	Blade Fuse, 5A
542 13 97-48*	X6	Locknut, Fiber M10	542 16 68-78*	E1-2	PHSTS, #10-24 x 1" Type F
542 13 97-49*	C,X6	HHCS, M10-1.5 x 25 FT	542 16 68-80*	W	Adaptor, Restriction Indicator
542 13 97-51*	R,X1	HHCS, M12 -1.75 x 25	542 16 68-90*	I	HHCS, M6 -1.0 x 30
542 13 97-59*	X1	HHCS, M6 -1.0 x 45	542 16 68-91*	I,U1	Locknut, Fiber, #10-32
542 13 97-60*	X2,X5,X6	FLHMS, M6 x20 DIN963	542 16 69-07*	P1	Valve, Oil Drain
542 13 97-61*	X2	HHCS, M6 x 1.0 x 20 DIN931	542 16 69-34*	AB	Spacer: Black

NOTE: Part No's. that have an ASTERISK (*) suffix may not be active 9-digit numbers. The '542' prefix has been added to current 6-digit part numbers and '0' to 7 and 8-digit numbers.

FS8400 Husqvarna

PART NO.	POS.	DESCRIPTION	PART NO.	POS.	DESCRIPTION
542 16 69-42*	X5	Tube, Water, 48" Blade Guard	542 18 22-33	P2	Diode Assy, FSZ Clutch
542 16 69-57*	X1	HHCS, M16-2.0 x 110	542 18 22-80	E1-2	Harness, Engine - P1
542 16 69-83*	P1	Fan, Radiator 17" Dia	542 18 22-81	E1-2,I	Harness, Cowl - P2
542 16 69-85*	X1	Tube, Water, 26" Blade Guard	542 18 23-03	M	Pointer, Front - Husq Gray
542 16 70-35*	N2,O2	Pin, Cotter Hair Spring 1/2-5/8	542 18 23-05	B	Brkt, Support - Engine Rear - Husq Gray
542 16 72-89*	X1	Decal: Blade Direction - Small	542 18 30-01*	I	Iglide Bushing
542 16 72-98	X1,X2,X3,X5	Decal: Blade Guard Caution	542 18 30-06*	V2	Valve, Cart. Solenoid
542 16 74-31*	N1	HHCS, M12-1.75 x 65	542 18 31-06*	K	Cap, Fuel
542 16 74-44*	AB	HHCS, M12-1.75 x 75	542 18 31-24*	C,I	Spring Washer, Bellville Disc
542 16 74-47*	Q1,Q2	HHCS, M16-2.0 x 45	542 18 31-37*	I	Bracket, Neutral Safety Switch
542 16 74-48*	Q1,X1,X2,X4,AA	Locknut, Fiber M16 -2.0	542 18 31-54*	I	HHCS, .375-16UNC Spcl
542 16 74-49*	B	Eyebolt, M6 x 1.0 x 50	542 18 33-75*	P1,P3	Plug, Hole 3/4"
542 16 74-78*	X2,X5,X6	HHCS, M8 -1.25 x 25 FT	542 18 33-96*	M	Front Pointer - Compl
542 16 74-91*	B	SHCS, CSK M10 -1.5 x 25	542 18 35-30*	P1	Fitting, Elbow - Oil Drain
542 16 75-03*	X1	Bolt, Latch Pivot M8 x 1.25	542 18 37-69*	E1	Decal: Throttle, Diesel
542 16 75-32*	X4,X6	HHCS, M12-1.75 x 140	542 18 38-78*	AA	HHCS, M16-2.0 x 35
542 16 75-51*	X2,X6	HHCS, M6-1.0 x 40 DIN931	542 18 39-98*	X1	Lanyard, Nylon Coated SS
542 16 75-55*	,L1-2,P3-4	M8 x1.25 Multi-Thread "U" Nut	542 18 39-99*	X1	Drive Screw #10 x 1/2 Lg
542 16 75-55*	A,B,C,D,F,G,	M8 x1.25 Multi-Thread "U" Nut	542 18 44-56*	R	Gasket, Rockford Pump
542 16 75-64*	Q1,AB	HHCS, M12-1.75 x 45 FT	542 19 04-33	N1	Hub Assy w/ Bearings, 1 Seal & Cap
542 16 76-31*	AB	HHCS, M12-1.75 x 100 DIN931	542 19 05-95	P4	Decal: Gearbox Range
542 16 77-22*	P1	PHMS, M5 -0.8 x 12	542 19 06-28	A	Decal: Hydro Bypass Valve
542 16 77-61*	X1	HHCS, M5 -0.8 x 20	542 19 07-01	D	Decal: HUSQVARNA / FS 8400 D
542 16 78-18*	X1	FLHMS, M6-1.0 x 16	542 19 07-33	L2	Decal: HUSQVARNA, 250mm
542 16 79-25*	C	FHCS, M8 -1.25 x 30 Full Thread	542 19 10-75*	X6	Rubber Bumper, Idler Stop
542 16 90-65*	Q2	Decal: Warning/Muffler	542 19 10-82*	W	Air Cleaner 8" - Compl
542 16 91-57*	X3	O-Ring, -110	542 19 11-14*	W	Housing, Air Cleaner
542 17 20-11*	X1	Nut, Hex Hd M5 -0.8	542 19 11-15*	W	Element, Primary
542 17 20-17*	B,Q1,X2,X3,X5,X6	Nut, Hex M6	542 19 11-16*	W	Element, Safety
542 17 20-27*	X5	Nut, Hex M8	542 19 11-18*	W	Valve, Air Cleaner
542 17 20-28*	X5	HHCS, M8 -1.25 x 16	542 19 11-42*	X1	Kit, Blade Guard Latch
542 17 23-46*	U1	HHCS, M5 -0.8 x 25	542 19 12-84	T	Fitting, Pipe Extension, 1/8"
542 17 23-56*	Z	HHCS, M12-1.75 x 16	542 19 13-16*	P1	Hose, Oil Drain x 20"
542 17 24-95*	AB	Lockwasher, Split M12	542 19 14-03*	Q1	Bracket, Muffler Guard CE
542 17 25-01*	B	HHCS, M10-1.5 x 110	542 19 14-29*	T	Bearing 209PP
542 17 30-09*	O1	Nut, Hex M12	542 19 17-70*	O1	Wheel Assy, w/ Ball Bearing, 3 x 8" OD
542 17 30-14*	X6	Washer, Flat M10	542 19 17-71*	O1	Wheel Assy, w/ Ball Bearing, 3 x 9" OD
542 17 30-19*	X1,X5	Lockwasher, External Tooth, M8	542 19 17-87*	S1,T	Flange, Outer w/DP - 10"
542 17 30-47*	Y	Washer, Flat, M5 Wide	542 19 17-88*	S1	HHCS, 1/2-13 x 2.5 Gr 8
542 17 30-59*	X1,X2,X3,X5,X6	Washer, Flat M8	542 19 17-96*	AB	Weight Box
542 17 46-79*	F,G	Lever, Adjustable	542 19 18-44*	X6	Water Tube Assy, 60"
542 17 49-86*	Y	Hose Clamp, Worm Drive SAE12	542 19 18-45*	X6	Tube, Water, 60"
542 17 62-23*	A,P3-4,V1	Decal: Caution/Warning (Shields)	542 19 18-94*	H	Cable Assy, Dpth Ind
542 17 63-83*	E1-2	Switch, E. Stop	542 19 19-27*	H	Spring, .375" Dia
542 17 63-98*	I	Switch Neutral Safety	542 19 19-43*	S1-2,T	Flange, Outer w/Pin - 8" QDS, 48"
542 17 67-52*	AB	HHCS, M12-1.75 x 200	542 19 19-62*	,X1,X2,X4,AA	Lockwasher, Split M16
542 17 69-94*	I	Speed Control/Shift Frame	542 19 19-62*	B,C,Q1-2,	Lockwasher, Split M16
542 17 69-96*	I	Arm, Shifter Pivot	542 19 19-63*	T	Vent Plug 1/8 NPT
542 17 69-98*	I	Shift Pivot Point	542 19 51-27*	X1	Hinge, Blade Guard, 3"
542 17 70-56*	Y,Z	Terminal, Wire 1/4" (16-14Ga)	542 19 60-29*	X1,X2,X3,X5,X6	Decal: LWA 119dB
542 17 70-66	B	Boot, Rubber, Batt. Term. - Black	542 19 61-73	L2	Hose, Water 1/2 ID x 66" FGH (x1)
542 17 72-39*	N2	Pin, Rue Ring 1/2" Dia	542 19 71-01*	Y,Z	Cable Tie, Plastic 8 In X .094
542 17 72-74	X5	Blade Guard, Front 48" - H Gray w/Decals	542 19 71-70*	X1,X2,X3,X5,X6	Wing Bolt, M6 -1.0 x 16
542 17 86-87*	Y	Fitting, 3/4 MGH x 3/4 MPT	542 19 72-27*	X1	HHCS, M8 -1.25 x 20
542 17 87-24*	L2	Switch, Pressure, N.O.	542 19 80-43*	P1,P3	Hose, Water 1/2 ID x 36" - 3/4 FGH (x2)
542 18 00-23*	V2	Screen, Filter	542 19 80-77*	B	Battery Group 48
542 18 04-27*	E1-2	Decal: Patents	542 19 80-78*	B	Battery Hold Down Group 48
542 18 10-26*	A	Decal: Caution/Radiator Filter CE	542 19 81-00	AB	Weight, w/Handle
542 18 10-39*	I	Washer, Friction .656ID	542 19 81-02*	X6	Hinge Half, Outer (Less Pin)
542 18 10-59*	A	Decal: DIESEL	542 19 81-03*	X6	Hinge Half, Inner (Less Pin)
542 18 10-65*	P1	Relay, Solenoid	542 19 81-19*	P1	Boot, Rubber, Batt. Term. - Red
542 18 11-09*	M,X4	Nut, Hex Jam M16 -2.00	542 19 81-64*	X1	Blade Guard, 26" H Gray - Compl
542 18 11-18*	Z	Support Tube: PC BLK	542 19 81-65*	X1	Blade Guard, 30" H Gray - Compl
542 18 11-20*	Z	Support Bar: PC BLK	542 19 81-66*	X1	Blade Guard, 36" H Gray - Compl
542 18 11-26*	Z	Wire Assy: 36" x 16 GA - Blk	542 19 81-82*	X1	Blade Guard, Front -26" H Gray w/ Decals
542 18 11-27*	Z	Wire Assy: 16" x 16 GA - Blk	542 19 81-83*	X1	Blade Guard, Front -30" H Gray w/ Decals
542 18 11-78*	B	J-Bolt: .25-20 X 9.0	542 19 81-84*	X1	Blade Guard, Front -36" H Gray w/ Decals
542 18 12-06*	O2	Orifice, Disc 0.031"	542 19 81-91	X6	Blade Guard 60" B-O - Compl - H Gray
542 18 13-61*	F	Grommet, 7/16 I.D.	542 19 87-80*	X1	Blade Guard, Front -18" H Gray w/ Decals
542 18 20-96*	I	Plate, Cover Raise / Lower Switch	542 19 88-15	E1-2	Blade Fuse, 30A
542 18 20-99*	I	Terminal, Solder	542 19 88-42	N1	Wheel, Rear 10" Dia x 3"
542 18 21-02*	I	Switch, Toggle	542 19 88-43	N1	Wheel Hub
542 18 21-46*	I	Boot, Half-Toggle Switch	542 19 88-64	S1-2,T	Flange, Inner 6" Dia, 36"
542 18 21-84*	B	Cable, Batt. 4Ga x 44" - Red	542 19 88-78	N1	Motor, Hudr Wheel
542 18 22-19	E1-2	Switch (Rocker)	542 19 88-90	U1	Aux Pump Adapter Plate
542 18 22-20	E1	Switch, Clutch On-Off	542 19 89-15	U2	Bypass/Counterbalance Valve
542 18 22-28	H	Harness, Depth Stop	542 19 89-16	O2	Valve, Needle - Lift Cyl

NOTE: Part No's. that have an ASTERISK (*) suffix may not be active 9-digit numbers. The '542' prefix has been added to current 6-digit part numbers and '0' to 7 and 8-digit numbers.

FS8400 Husqvarna

PART NO.	POS.	DESCRIPTION	PART NO.	POS.	DESCRIPTION
542 19 89-17	U2	Valve, Needle - Bypass	542 19 93-78	S1-2,T	Flange, Outer w/Pin - 7" QDS, 42"
542 19 89-27	A	Grommet 1/2 x 1.25	542 19 93-79	P1	Assy, Oil Drain
542 19 89-32	O2	Pin, Pivot 3/4" Dia x 2-1/4"	542 19 93-87	P2	Hub, Clutch Drive
542 19 89-34	O2	Mounting Block	542 19 93-90	X2	Blade Guard - compl, 42" BO
542 19 89-36	O1	Cylinder Pin, Front	542 19 93-96	P2	Field Coil, Warner 1000 w/ Leads
542 19 89-40	P1	Spacer, Fan JD 5-Cyl	542 19 93-97	B	Cable, Batt. Pos. 0Ga x 18" - Red
542 19 89-49	U1	O-Ring -042	542 19 93-98	B	Cable, Batt. Neg. 0Ga x 28" - Black
542 19 89-53	P2	Snap Ring, 1.375 Shaft	542 19 94-04	Q1	Bracket, Lift Bail - Black
542 19 89-60	D	Radiator, 4-Row, 1-Pass FS8400	542 19 94-14	U2	Valve, C-Balance
542 19 89-61	U1	Bushing G 15 MM	542 19 94-19	Q1	HHCS, M16-2.0 x 65
542 19 89-64	U1	Gear JD Aux Drive w/ Ctr.Bor.	542 19 94-26	N1	Nut, Castle 1-14 UNF
542 19 89-65	N1	Swivel, M12 x 1.75	542 19 94-27	N1	Washer, 1" Bearing Spacer
542 19 89-75	P2	Armature Assy, Modified 1000	542 19 94-33	E1-2	Decal: E-Track Control
542 19 89-76	U1	Hydro Pump, Parker H1	542 19 94-35	C	Decal: Axle Adjustment, Manual
542 19 89-91	U1	Speed Control, Hydro	542 19 94-51	I	Speed Control Compl
542 19 89-96	B	Actuator Shield	542 19 94-52	K	Hose, Fuel 5/16" - Supply & Return
542 19 90-12	K	Fuel Tank	542 19 94-60	P1	Filter, Oil
542 19 90-17	G	Handlebar Mount R.H.	542 19 94-61	P1	Element, Fuel Filter
542 19 90-18	F	Handlebar Mount L.H.	542 19 94-75	N2	Brkt, Actuator Pivot, Long Blk
542 19 90-21	L1	Insulator, Rubber w/o Holes	542 19 94-78	F	Hose, Radiator Overflow
542 19 90-29	A	Insulator, Rubber w/ Holes	542 19 94-79	Q1	HHCS, M16-2.0 x 35
542 19 90-39	L2	Insulator, Rubber	542 19 94-80	P2	Bushing, Rubber 1/2"ID x 3/4"OD x 3/4"
542 19 90-44	T	HHCS, M8 -1.25 x 75	542 19 94-81	P1,S1	Gearbox, 1-Speed
542 19 90-45	S1-2	Key 1/4"Sq x2.5 Round Both Ends	542 19 94-84	Q1	Hose Clamp, Worm Drive SAE 96
542 19 90-53	A,B,D,E1,F,G,L1-2	Bolt, Hex Wshr Hd M8-1.25x25 Dg Pt	542 19 94-94	N2	Actuator - Compl
542 19 90-53	N1,O1,P2,R,U1	Bolt, Hex Wshr Hd M8-1.25x25 Dg Pt	542 19 95-12	N2	Bracket, Actuator Connector
542 19 90-55	Q1	Arm, Engine Mount JD 5-Cyl	542 19 95-30	S1	Pulley, 10G3V 3.65 Gearbox 30-60"
542 19 90-68	Q1	Flange, Adapter	542 19 95-31	S1-2	Pulley, 10G3V 4.13 Gearbox 26"
542 19 90-82	Q1	Muffler	542 19 95-32	S1	Pulley, 10G3V 4.75 Gearbox 18"
542 19 90-83	Q1	Bracket, Muffler	542 19 95-33	S1-2,T	Pulley, 10G3V 4.12 Bladeshift 18"
542 19 90-93	V1	Bracket, Filter - Lift Pump	542 19 95-34	S1-2,T	Pulley, 10G3V 4.75 Bladeshift 26-30"
542 19 90-96	V1,V2	Pump, Hydraulic Lift	542 19 95-35	S1-2,T	Pulley, 10G3V 5.60 Bladeshift 36"
542 19 90-97	B	Battery Tray	542 19 95-36	S1-2,T	Pulley, 10G3V 6.90 Bladeshift 48"
542 19 91-11	W	Hose, Air Intake FS8400	542 19 95-37	S1,T	Pulley, 10G3V 9.30 Bladeshift 60"
542 19 91-24	L2	Fitting, Parker, 2107-8-8-S	542 19 95-53	P1	Engine, JD 5-Cyl w/ Flywhl CL Mod
542 19 91-25	L2	Fitting, Parker, 1/2 CR-S	542 19 95-55	N1	Rear Axle - Compl, FS6600/FS8400
542 19 91-26	L2	Fitting, Parker, 1/2 MMO-S	542 19 95-59	D	Radiator Assy FS8400
542 19 91-27	L2	Fitting, Parker, 1/2 CD45-S	542 19 95-66	W	Hood, Air Inlet
542 19 91-28	X1,X2,X3,X5,X6	Spring, Blade Guard -3" Wide	542 19 95-70	S1,T	Flange, Inner, Tap. Shaft, B/O-10"
542 19 91-36	L1	Angle, Radiator Mount, 4 Row PC Blk	542 19 95-80	T	Bladeshift Assy, FS8400 18" - compl
542 19 91-38	N2	Actuator, 40mm Stroke	542 19 95-81	T	Bladeshift Assy, FS8400 26/30" - compl
542 19 91-67	Q1	Bracket, Speed Control	542 19 95-82	T	Bladeshift Assy, FS8400 36" - compl
542 19 91-83	I	Cable, Push-Pull	542 19 95-83	T	Bladeshift Assy, FS8400 48" - compl
542 19 91-86	P1	Bracket, Throttle Cable	542 19 95-84	T	Bladeshift Assy, FS8400 60" - compl
542 19 91-92	V1	Bracket, Pump Mount	542 19 95-85	E1	Decal: Blade Speed/Size Chart, FS8400
542 19 92-02	H	Bracket, Depth Indicator	542 19 95-86	E1	Decal: Bld Spd/Size Chart, FS8400 - CE
542 19 92-10	K	Draw Tube, Fuel Line Weldment	542 19 96-03	X2	Tube, Water, 42" B/O Bld Grd - Compl
542 19 92-17	D	Shroud, Radiator	542 19 96-31	X2	Blade Guard, B/O - 42" - Compl
542 19 92-22	I	Handle & Switch Assy	542 19 96-32	X2	Blade Guard, Front, B/O - 42" - w/Decals
542 19 92-35	K	Fitting, Elbow 5JIC x 6SAE	542 19 96-33	N2	Slider, 2.75" Dia
542 19 92-36	K	Fitting, 5JIC37/45°SAE Sw x 5/16H	542 19 96-37	Y	Pump, Water D283
542 19 92-37	R	Radiator Hose, Suction	542 19 96-39	Y	Port, Inlet 1/2 Hose Barb-Quad
542 19 92-39	N2	Pin, 12mm	542 19 96-40	Y	Grommet, Isolator
542 19 92-41	N2	Pin, 10mm	542 19 96-41	Y	Filter Assy
542 19 92-43	Q1	Exhaust Elbow, 90°	542 19 96-43	Y	Filter Strainer Screen
542 19 92-47	L2	Bracket, Water System	542 19 96-46	Y	Plate, Water Pump Mount
542 19 92-51	R	Bracket, Radiator Fill Mount	542 19 96-48	Y	Switch, Toggle, Single Pole
542 19 92-55	R	Neck, Radiator Fill	542 19 96-49	Y	Boot, Switch
542 19 92-57	R	Clamp, Support	542 19 96-52	Y	Bracket, Water Pump Inlet
542 19 92-72	R	Radiator Hose, Return, Upper	542 19 96-56	P1	Starter - JD 12V (2.2 kw)
542 19 92-73	R	Radiator Hose, Return, Lower	542 19 96-57	Y	Hose Assy, 1/2" MGH
542 19 92-74	Q1	Guard, Muffler Heat CE	542 19 96-58	Y	Hose Assy, 3/4" FGH Swivel
542 19 93-08	C	Wheel Bracket	542 19 96-71	Y	Electrical Cord Assy, Water Pump
542 19 93-17	S1-2,T	Flange, Inner 7" Dia, 42"	542 19 96-77	D	Lanyard, 24" Nylon-coated
542 19 93-31	S1-2,T	Flange, Inner 8" Dia, 48"	542 19 96-91	B,C,X2,X4	HHCS, M16 -2.0 x 140
542 19 93-51	R	SHCS, M12 X 1.75 X 30	542 19 96-92	C	Spacer Block, Blade Shaft - 1.5"
542 19 93-52	U1	Key, 5mm Sq. x 25mm	542 19 97-00	S1	V-Belt 3VX465 5-Band
542 19 93-53	N1	Hose Assy, 6FJ90° x 6FJ90° x 21"	542 19 97-13	A	Decal: Depth Indicator Setting
542 19 93-54	N1	Hose Assy, 6FJ90° x 6FJ90° x 31"	542 19 97-14	A	Decal: Depth Indicator
542 19 93-55	N1	Hose Assy, 6FJ90° x 6JF x 15"	542 19 97-23	AA	Scuff Plate, Belt FS8400
542 19 93-56	U1	Hose Assy, 6FJ90° x 14.5	542 19 97-41	V1	Hose Assy, 6JF90°L x 6JFSw x 14.5"
542 19 93-58	V1	Hose Assy, 4JFStr x 4JF90° x 22.5"	542 19 97-42	T	Bladeshift Assy, 42" - compl
542 19 93-59	V1	Hose Assy, 4FJ x 4FJ90° x 54"	542 19 97-46	S1,T	Pulley, 10G3V 6.40 Bladeshift 42"
542 19 93-60	V1	Hose Assy, 6JFStr x 6JFSw x 12-1/2"	542 19 97-49	G	Plate, Limiter - SS CE
542 19 93-61	P1	Sender, Water Temp.	542 19 97-53	AB	Bracket, Weight Box LH
542 19 93-65	P1	Mount, Glow Plug Relay	542 19 97-55	AB	Bracket, Weight Box Mount RH
542 19 93-72	C,N1	HHCS, M12 x 1.75 x 140, DIN933	542 19 97-58	O2	Valve, Cartridge Check

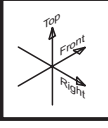
NOTE: Part No's. that have an ASTERISK (*) suffix may not be active 9-digit numbers. The '542' prefix has been added to current 6-digit part numbers and '0' to 7 and 8-digit numbers.

FS8400 Husqvarna

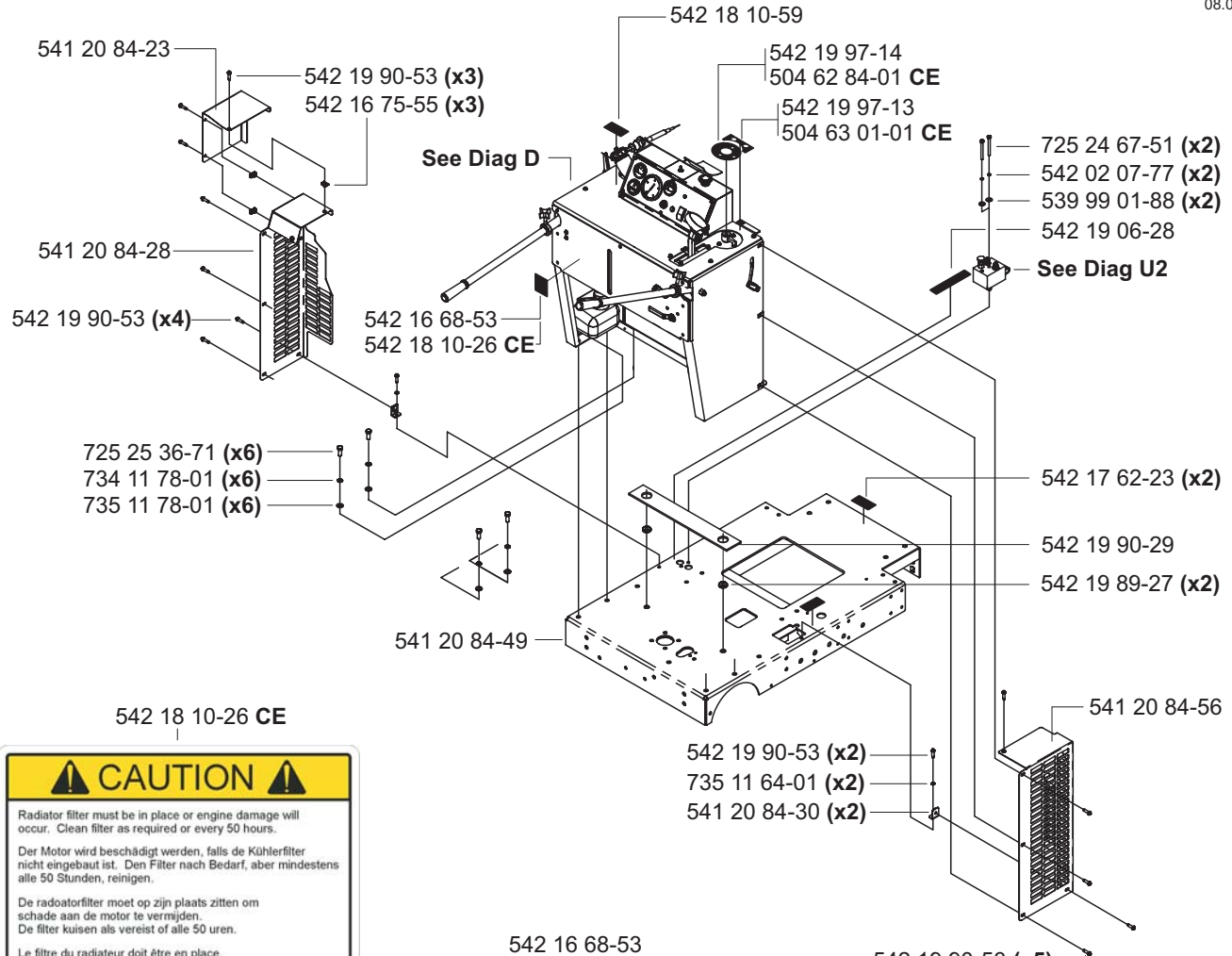
PART NO.	POS.	DESCRIPTION	PART NO.	POS.	DESCRIPTION
542 19 97-60	O2	Cylinder, Hydr Lift - FS8400	725 23 33-71	Y	HHCS, M5 x 25 8.8
542 19 97-62	O2	Cylinder, Hydr Lift - compl FS8400	725 23 66-71	S2,T,X3	HHCS, M6 -1.00 x 12 DIN933
542 19 97-65	S1	V-Belt 3VX485 5-Band	725 23 70-71	X1,X2,X3,X4,X5,X6	HHCS, M6 -1.0 x 20 8.8
542 19 97-66	S1	V-Belt 3VX465 5-Band	725 23 76-71	I	HHCS, M6 -1.00 x 35 FT
542 19 98-36	S2	Gearbox, 3-Speed	725 23 79-51	X3	HHCS, M6 -1.0 x 45 8.8
542 19 98-60	N1	Seal, Shaft 1.25 x 2"	725 24 53-71	X2	HHCS, M8 -1.25 x 25 FT
542 19 98-61	N1	Bearing, Tapered Roller, 1"	725 24 53-76	X3	HHCS, M8 -1.25 x 25 10.9
542 20 51-91	M	Extension, Pointer - Husq Gray	725 24 57-76	P2	HHCS, M8 -1.25 x 35 10.9
542 20 53-08	I	Bracket, Mounting	725 24 67-51	A	HHCS, M8 -1.25 x 80 8.8
542 20 53-09	I	Toggle Switch - Compl	725 24 93-71	B,P1,R,X5,AA	HHCS, M10-1.5 x 25 FT
542 20 53-67	Q1	Nut, Eye, 3/8-16	725 24 95-71	,Q1,X6,AA	HHCS, M10-1.5 x 30 FT
542 20 62-58	P3	Rod, Shift, Long, Z/P	725 24 95-71	B,P1,P3,P4,X2	HHCS, M10 -1.5 x 30 FT
542 20 62-92	E1-2	Nut - Deutsch Conn Receipt	725 24 97-71	P1	HHCS, M10 -1.5 x 35
542 20 62-93	E1-2	Washer - Deutsch Conn Receipt	725 25 01-51	C	HHCS, M10-1.5 x 50 8.8
542 20 63-56	Q1	Washer, Flat 2.50 x .657 x .188	725 25 15-51	AA	HHCS, M10-1.5 x 120 8.8
542 20 64-17	E1-2	Indicator Light, Red	725 25 32-71	Q1,X2,X4	HHCS, M12 -1.75 x 20
542 20 64-63	T	Bladeshaft, Tapered w/ Tach	725 25 34-71	B,R,X7	HHCS, M12 -1.75 x 25
542 20 64-68	E1-2	Panel, Instrument - Husq Gray	725 25 36-71	A	HHCS, M12 -1.75 x 30 8.8
542 20 64-72	E1-2	Instrument Panel - Compl - Husq Gray	725 25 42-71	AB	HHCS, M12 -1.75 x 50 8.8 FT
542 20 64-75	E1-2	Cover, Instrument - Husq Gray	725 25 48-71	O1	HHCS, M12 -1.75 x 80 8.8 FT
542 20 64-77	E1-2	Decal: Instrument Panel	725 54 55-55	P2	SHCS, M8-1.25 x 30 12.9 B/O
542 20 64-79	T	Bladeshaft Tube w/ Tach	731 23 16-01	X3	Nut, Hex M6x1.0 DIN934
542 20 65-35	S1-2,T	BladeShaft, Sealed - Compl	731 43 20-01	Q1	Nut, Hex Jam Thin M10 -1.5
542 20 65-48	E2	Decal: Tach Blade RPM/Gearbox - 5"	732 25 14-01	U1,P1,Y	Nut, Lock M5 -0.8 Nyloc
542 20 65-49	E2	Decal: Tach Blade RPM/Gearbox - 6"	732 25 16-01	B,I,X1-6	Locknut, Fiber M6 -1.0
542 20 65-64	E1	Bracket, Air Clean - Husq Gray	732 25 18-01	D,T,X3	Nut, Lock M8 -1.25 Nyloc
542 20 66-60	P1	Breather, w/ Small Hole 3/8" NPT	732 25 20-01	B,P1,Q1,X2,X5	Locknut, Fiber M10 -1.5
542 20 66-73	E1-2	Tachometer	732 25 22-01	Q1,X1-2,X4-6,Z,AB	Nut, Lock M12 -1.75 Nyloc
			734 11 52-01	B,X1-2,X5-6,U1	Washer, Flat M6
			734 11 54-41	X3	Washer, Flat M6 Large
			734 11 63-01	P2,X1,X2,X3	Washer, Flat M8
			734 11 72-01	B,P1,Q1,U1,X6,AA	Washer, Flat M10
			734 11 78-01	A,C,F,G,Q1,R,	Washer, Flat M12
			734 11 78-01	X2,X4,X5	Washer, Flat M12
			735 11 53-01	X1	Lockwasher, Split M6
			735 11 64-01	A,P2,X2	Lockwasher, Split M8
			735 11 73-01	,U1,X6,AA	Lockwasher, Split M10
			735 11 73-01	B,C,P1,P3-4,	Lockwasher, Split M10
			735 11 78-01	A,B,C,Q1,N1,R	Lockwasher, Split M12
			740 38 08-01	S2,T	Washer, M6 Sealing
MISC ITEMS & SPECIAL KITS			LEGEND		
502 84 12-02	NS	IPL Parts List: FS8400, HUSQ	BHMS	Button Head Machine Screw	
504 63 69-01	NS	OM Op Instr: FS8400 HUSQ CE 3-L	FLHMS	FLat Head Machine Screw	
504 63 69-02	NS	OM Op Instr: FS8400 HUSQ CE 5-L	HHCS	Hex Head Cap Screw	
542 0A 77-17*	Z	Inst Sht: Dual Work Light Kit	HWHSTS	Hex Washer Head Self-Tapping Screw	
542 20 10-48	Y	Inst Sht: Wiring-Water Pump Kit	RHMS	Round Head Machine Screw	
542 20 11-13	S2	Instr Sheet: Proximity Switch	SBHMS	Socket Button Head Machine Screw	
			SHCS	Socket Head Cap Screw	
			SHSS	Scocker Head Set Screw	
			STS	Self-Tapping Screw	
542 16 33-51*	V2	Kit, Spool	PHCS	Pan Head Cap Screw	
542 18 11-17*	Z	Kit, Light (optional)	PHMS	Pan Head Machine Screw	
542 19 11-42*	X1	Kit, Blade Guard Latch	PHSTS	Pan Head Self-Tapping Screw	
542 19 59-72	D	Kit, Radiator Filter Secure	FT	Full Thread	
542 19 61-71	AB	Kit, Weight 1-Bar 35 lbs	Gr	Grade	
542 19 61-72	AB	Kit, Weight 2-Bar 70 lbs	B/O	Black Oxide	
542 19 80-22	AB	Kit, Weight 48" (1200mm) Compl			
542 19 95-73	X3	Kit, Attachment Blade Guard 48"			
542 19 96-26	Y	Kit, Water Pump (optional)			
542 19 97-57	AB	Kit, Weight 60" (1500mm) Compl			
542 20 66-34	S2	Kit, Proximity Switch, 3-Speed			
542 20 64-78	S2	Tool, Alignment - Prox Switch			
541 20 71-00	S1-2	Kit, Sheave Puller			

NOTE: Part No's. that have an ASTERISK (*) suffix may not be active 9-digit numbers. The '542' prefix has been added to current 6-digit part numbers and '0' to 7 and 8-digit numbers.

A Frame & Cowling - FS8400



08.03.07



542 18 10-26 CE

CAUTION

Radiator filter must be in place or engine damage will occur. Clean filter as required or every 50 hours.

Der Motor wird beschädigt werden, falls de Kühlerfilter nicht eingebaut ist. Den Filter nach Bedarf, aber mindestens alle 50 Stunden, reinigen.

De radiatorfilter moet op zijn plaats zitten om schade aan de motor te vermijden. De filter kuisen als vereist of alle 50 uren.

Le filtre du radiateur doit être en place, sans quoi le moteur sera endommagé. Nettoyer le filtre au besoin ou toutes les 50 heures.

El filtro del radiador debe estar en su lugar apropiado, de otra manera ocurrirá daño al motor. Limpie el filtro cuando sea necesario o cada 50 horas.

Il filtro del radiatore deve essere collocato correttamente altrimenti si danneggia il motore. Pulire il filtro ogni volta che è necessario o ogni 50 ore.

542 16 68-53

CAUTION

Radiator filter must be in place or engine damage will occur. Clean filter as required or every 50 hours.

542 17 62-23

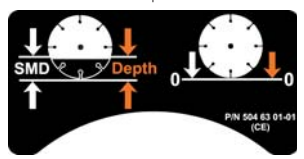
WARNING

Machinery Hazard - Always keep all guards in place.

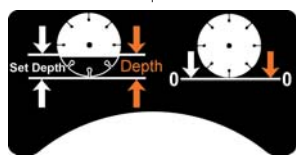
Maquina en funcionamiento - Los capotes deben estar en posición.

All guards must be in place. Los capotes deben estar en posición.

504 63 01-01 CE



542 19 97-13



504 62 84-01 CE



542 19 97-14



542 18 10-59

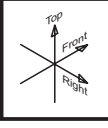
DIESEL

542 19 06-28

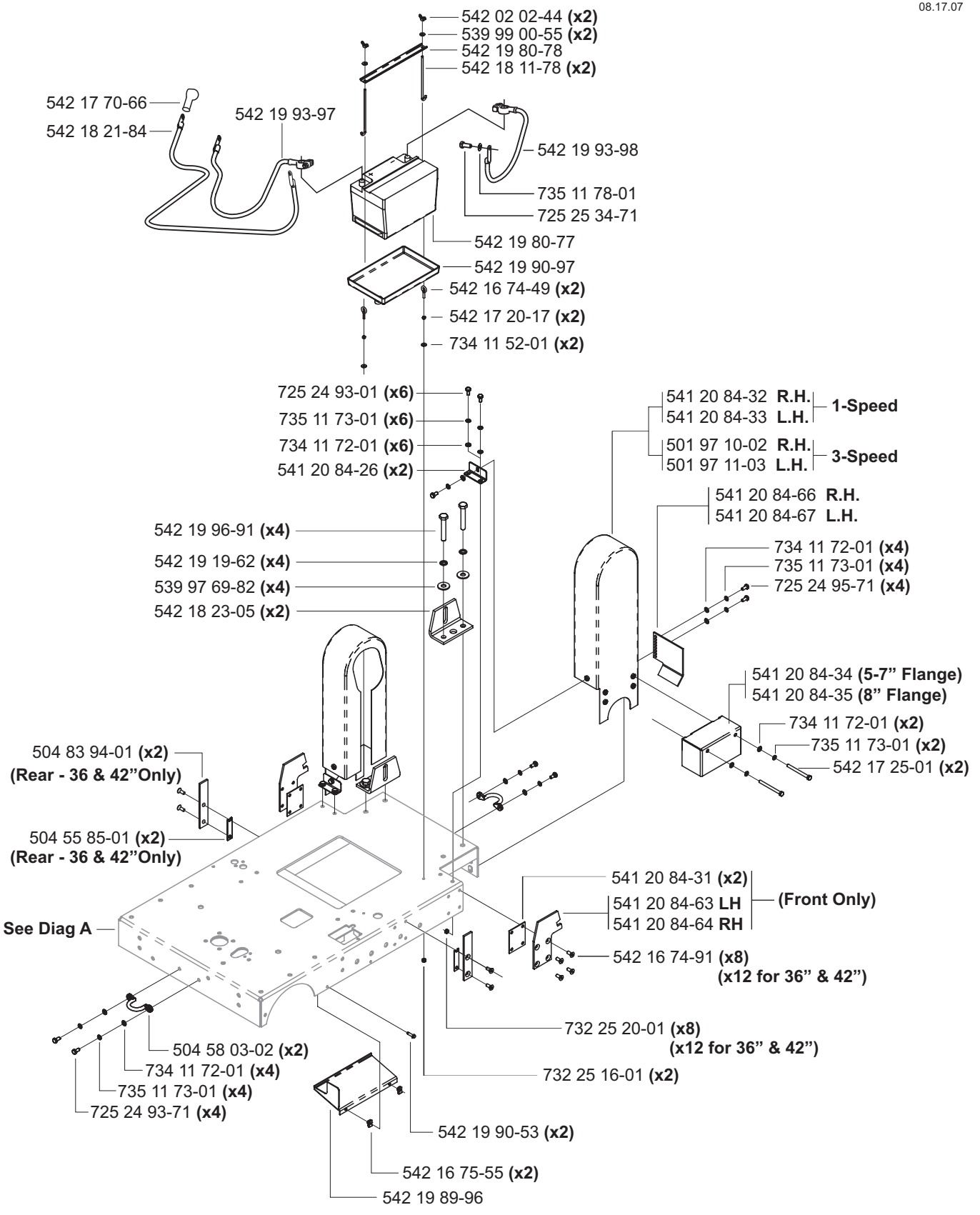
DRIVE (Engage):
Turn Knob Clockwise (Downward)

NEUTRAL:
Turn Knob Counter-Clockwise (Upward)

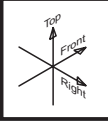
B Upper Frame - FS8400



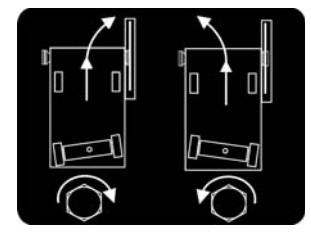
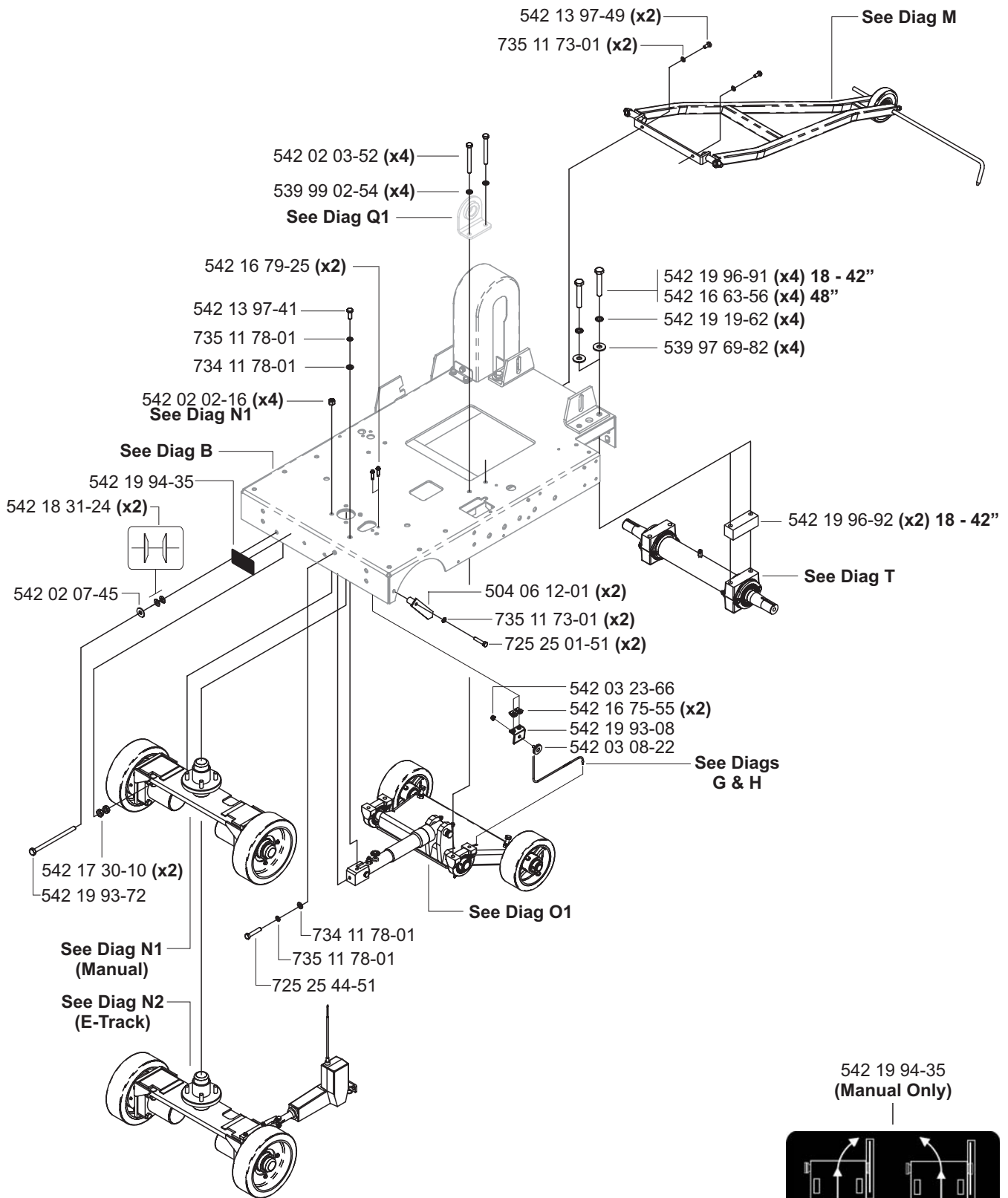
08.17.07



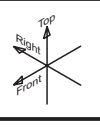
C Lower Frame with Pointers - FS8400



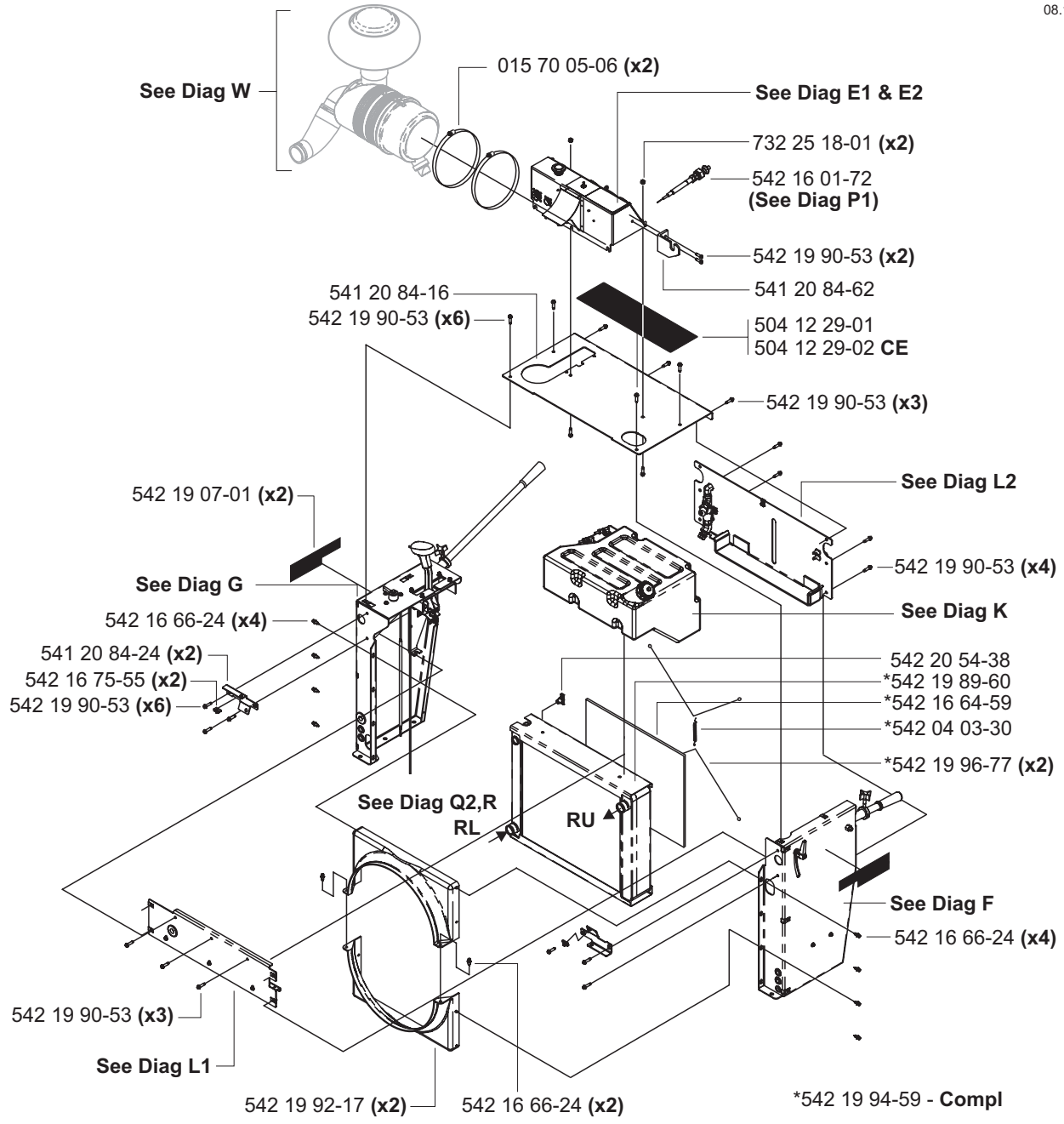
09.06.07



D Cowling - FS8400



08.16.07



542 19 07-01



504 12 29-01

504 12 29-02

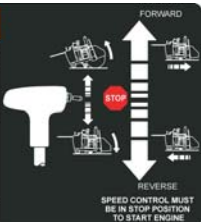
WARNING

FAILURE TO FOLLOW THE WARNINGS AND INSTRUCTIONS BELOW MAY RESULT IN SERIOUS INJURY OR DEATH.

- Read and understand the manual before operating the machine. Understand all safety instructions and warnings. If you do not understand an instruction, call your retailer.
- Always keep all guards in place and in good condition. Always keep all parts of your body away from blades and all other moving parts. Always use blade retention to prevent kick-back.
- Always use blade guard to prevent contact with the blade when the engine is running. Always use the blade guard when the engine is running.
- Always use the machine only in well-ventilated areas.

CAUTION: Risk of Injury

- Always use approved equipment.
- Always use the correct blade for the type of work being done. Check with the blade manufacturer if you do not know the blade is correct.
- Always use the correct blade for the type of work being done. Check with the blade manufacturer if you do not know the blade is correct.
- Always use the correct blade for the type of work being done. Check with the blade manufacturer if you do not know the blade is correct.



WARNING DIE WAARUNG WAARSCHUWING AVERTISSEMENT ADVERTENCIA AVVERTIMENTO

Read and understand the manual before operating the machine. Understand all safety instructions and warnings. If you do not understand an instruction, call your retailer.

Always keep all guards in place and in good condition. Always keep all parts of your body away from blades and all other moving parts. Always use blade retention to prevent kick-back.

Always use blade guard to prevent contact with the blade when the engine is running. Always use the blade guard when the engine is running.

Always use the machine only in well-ventilated areas.

CAUTION: Risk of Injury

- Always use approved equipment.
- Always use the correct blade for the type of work being done. Check with the blade manufacturer if you do not know the blade is correct.
- Always use the correct blade for the type of work being done. Check with the blade manufacturer if you do not know the blade is correct.
- Always use the correct blade for the type of work being done. Check with the blade manufacturer if you do not know the blade is correct.

CE

FORWARD

STOP

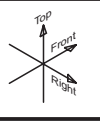
REVERSE

SPEED CONTROL MUST BE IN STOP POSITION TO START ENGINE

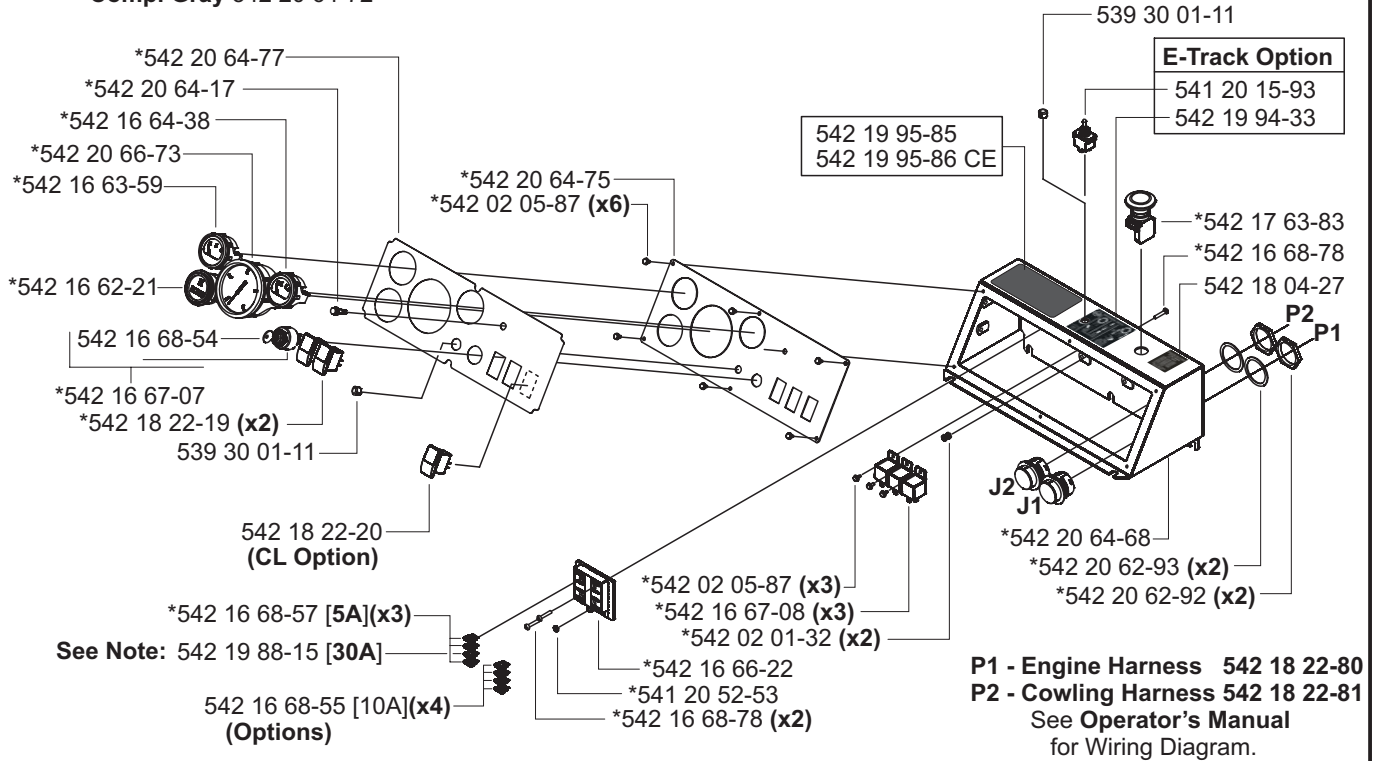
E1 Instrument Panel - FS8400

**** 1-Speed ****

*Compl Gray 542 20 64-72



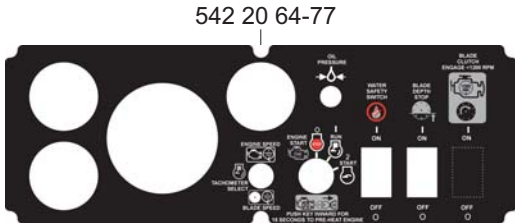
08.03.07



Note: 542 20 64-72 Panel comes with four (4) 5 Amp fuses. The third fuse down **MUST** be replaced with a 30 Amp fuse (542 19 88-15) for use on the FS8400.

542 18 04-27

Covered By One Or More Of The Following U.S. Patents:
4338688, 4338688, 4744604, 4827998, 4233288, 4848098, 4986604, 5241948, 5381782, 5479848, 5858884, 5982028, 5743347, 5898985, 5810449, 6232023, 6248884, 6348884, 6371376, 6376684
Other U.S. And Foreign Patents Pending.

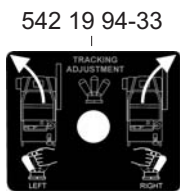


542 19 95-85

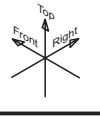
ENGINE SPEED / BLADE SIZE					
		BLADE SHAFT		ENGINE SPEED	
BLADE SIZE	FLANGE SIZE	LOADED RPM	PULLEY SIZE	LOADED RPM	MAX RPM
18"	6"	2400	4.12"	2800	3000
26"	8"	1800	4.75"	2900	3000
30"	8"	1600	4.75"	2900	3000
36"	6"	1350	5.60"	2800	3000
48"	8"	1080	6.9"	2800	3000
60"	10"	810	9.5"	2800	3000

542 19 95-86 CE

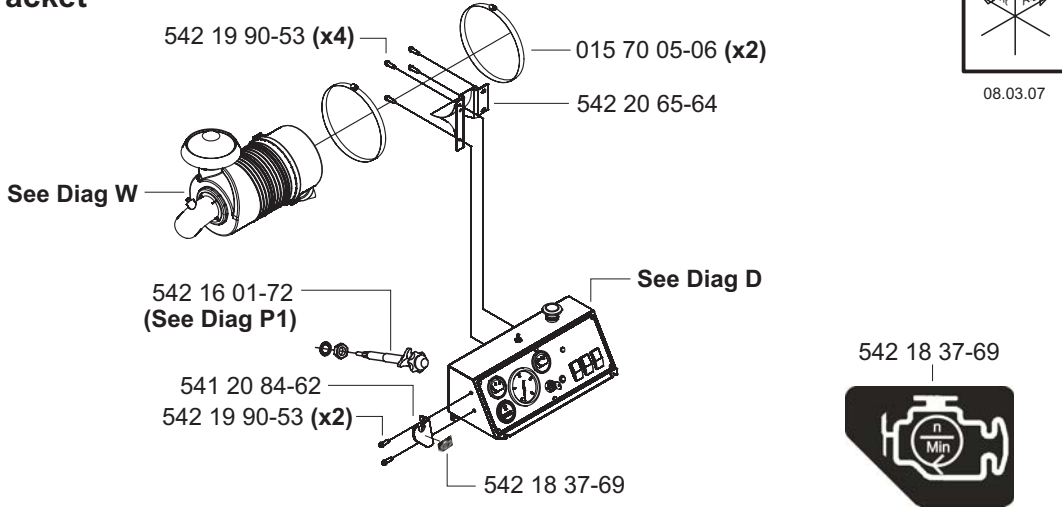
TRACKING ADJUSTMENT					
850 mm	127 mm	105 mm	2400	400-450 mm	121 mm
650 mm	127 mm	120 mm	1800	600-650 mm	105 mm
750 mm	127 mm	120 mm	1800	700-750 mm	83 mm
850 mm	152 mm	142 mm	1350	750-800 mm	83 mm
1200 mm	203 mm	175 mm	1080	1080-1200 mm	83 mm
1600 mm	250 mm	230 mm	810	1250-1500 mm	83 mm



Air Cleaner Bracket



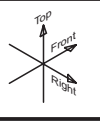
08.03.07



E2 Instrument Panel - FS8400

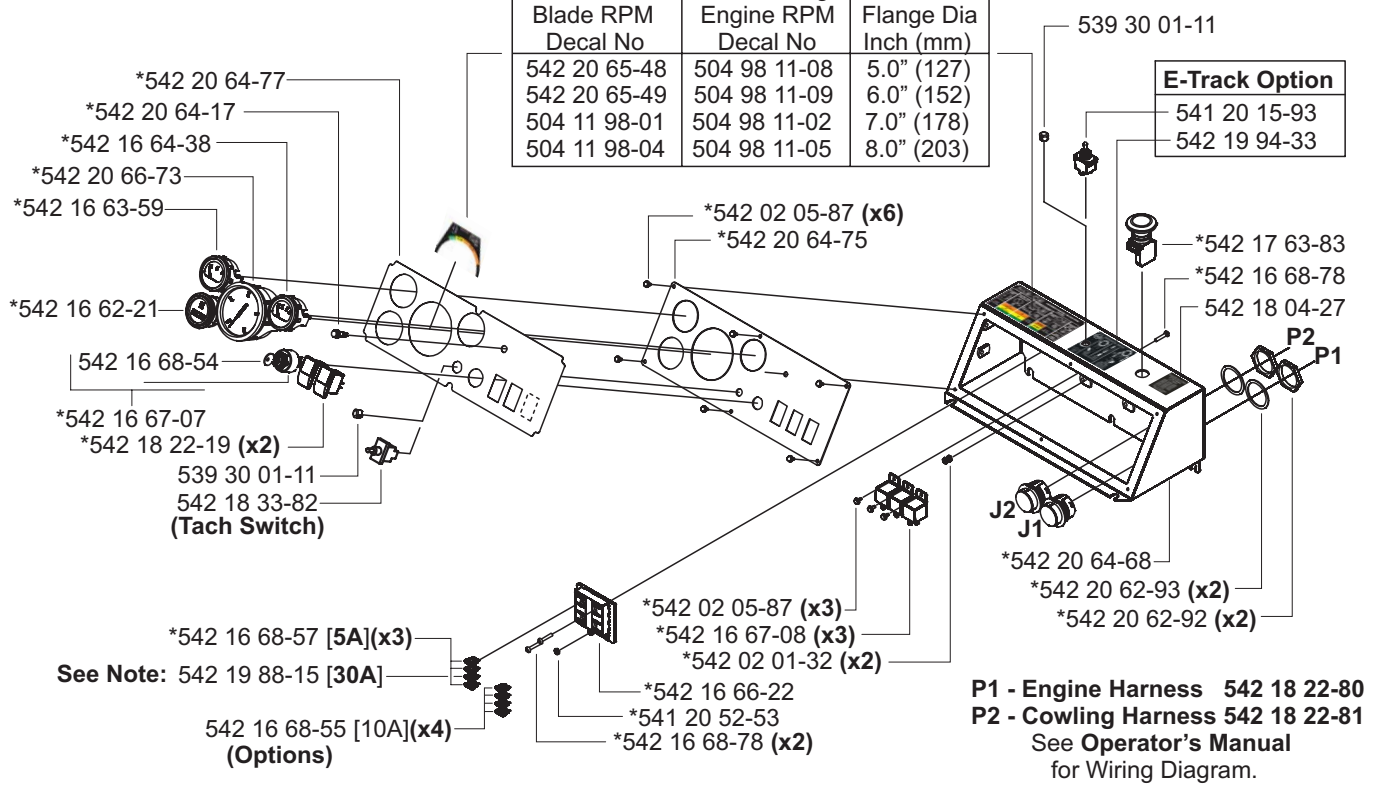
**** 3-Speed ****

*Compl Gray 542 20 64-72

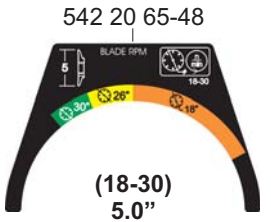
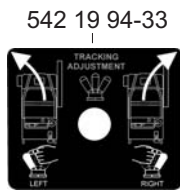
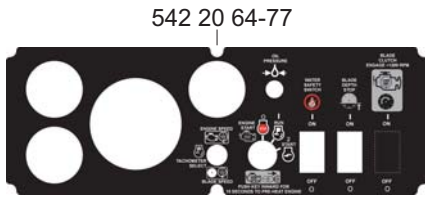


08.03.07

Tachometer Blade RPM Decal No	G-Box Range Engine RPM Decal No	Flange Dia Inch (mm)
542 20 65-48	504 98 11-08	5.0" (127)
542 20 65-49	504 98 11-09	6.0" (152)
504 11 98-01	504 98 11-02	7.0" (178)
504 11 98-04	504 98 11-05	8.0" (203)

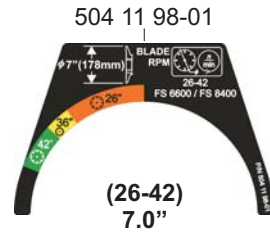


Note: 542 20 64-72 Panel comes with four (4) 5 Amp fuses. The third fuse down **MUST** be replaced with a 30 Amp fuse (542 19 88-15) for use on the FS8400.



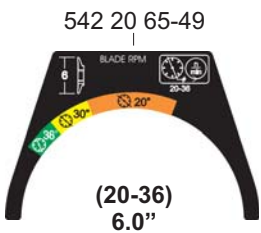
504 11 98-08 (CE)

FLANGE SIZE	BLADE SIZE (Maximum)	GEARBOX RANGE	BLADE RPM	ENGINE RPM
5.0"	4.12"	3	2680	3000
5.0"	3.92"	2	1850	2300
5.0"	3.72"	1	1600	2000



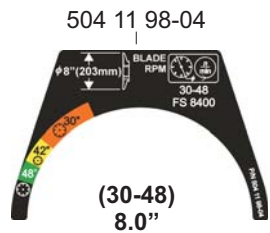
504 11 98-02 (CE)

FLANGE SIZE	BLADE SIZE (Maximum)	GEARBOX RANGE	BLADE RPM	ENGINE RPM
7.0"	6.00"	3	1900	3000
7.0"	5.80"	2	1380	1800
7.0"	5.60"	1	1150	2000



504 11 98-09 (CE)

FLANGE SIZE	BLADE SIZE (Maximum)	GEARBOX RANGE	BLADE RPM	ENGINE RPM
6.0"	5.00"	3	2300	3000
6.0"	4.75"	2	1620	2300
6.0"	4.50"	1	1350	2000

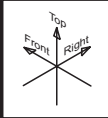


504 11 98-05 (CE)

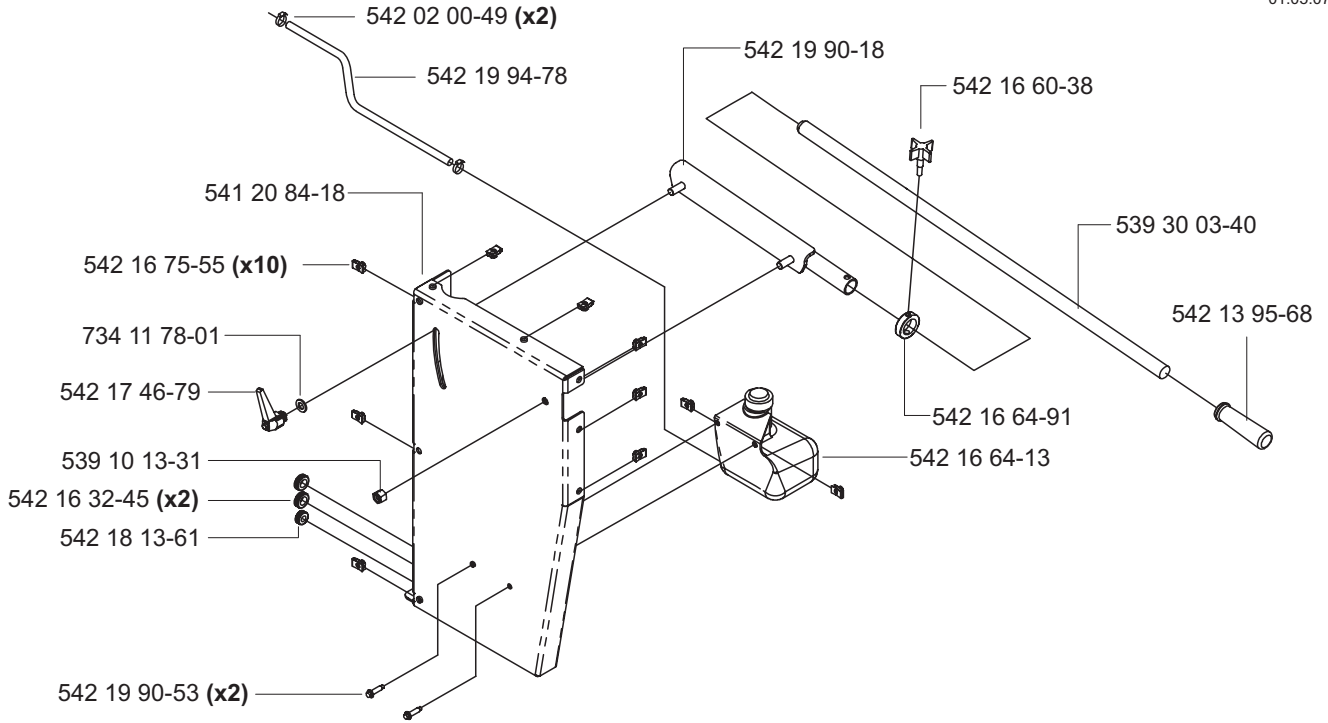
FLANGE SIZE	BLADE SIZE (Maximum)	GEARBOX RANGE	BLADE RPM	ENGINE RPM
8.0"	7.00"	3	1800	3000
8.0"	6.75"	2	1150	2300
8.0"	6.50"	1	900	2000

F Cowling Side - L.H.

See Diag A

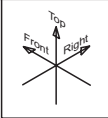


01.05.07

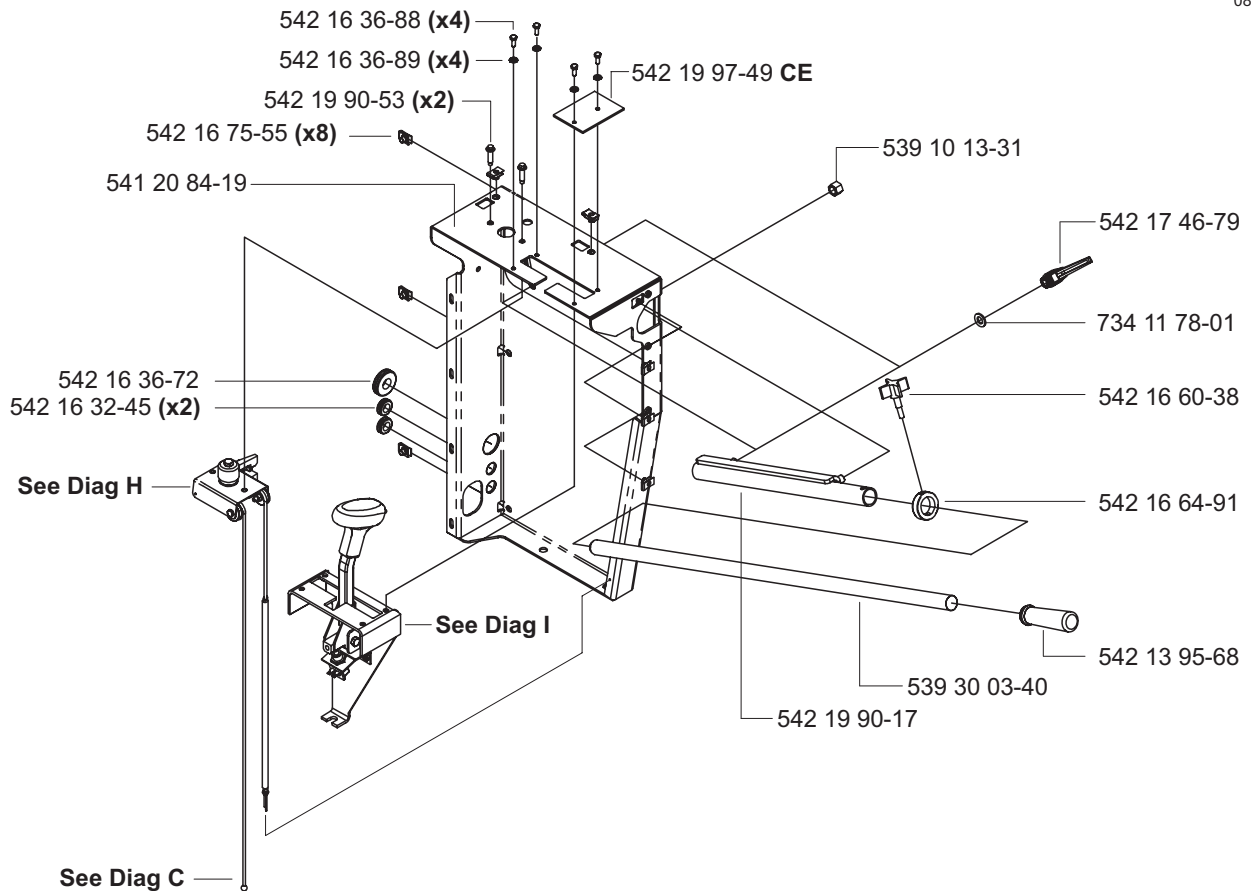


G Cowling Side - R.H.

See Diag A

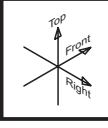


08.26.07

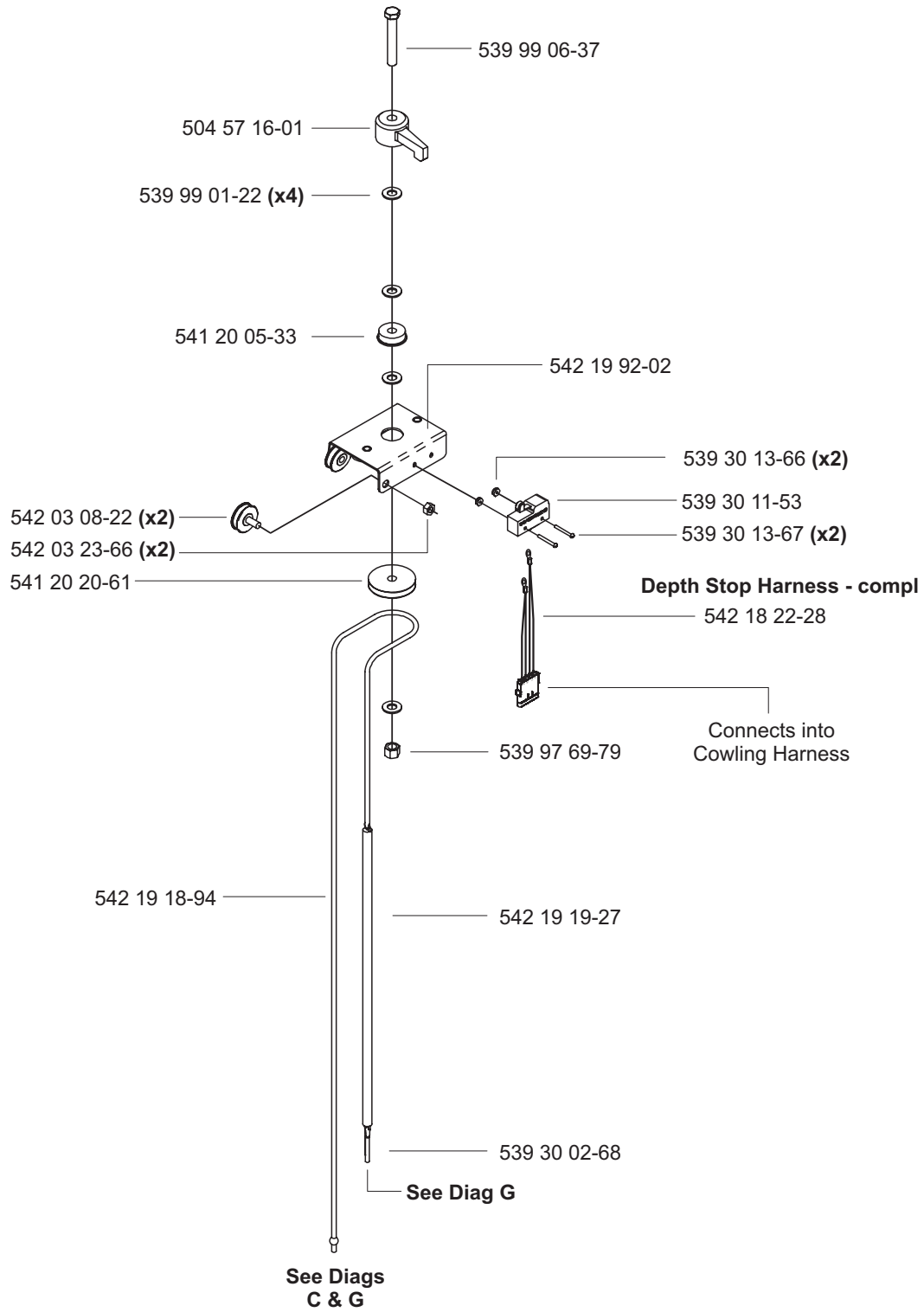


H Depth Indicator

See Diag H



08.03.07



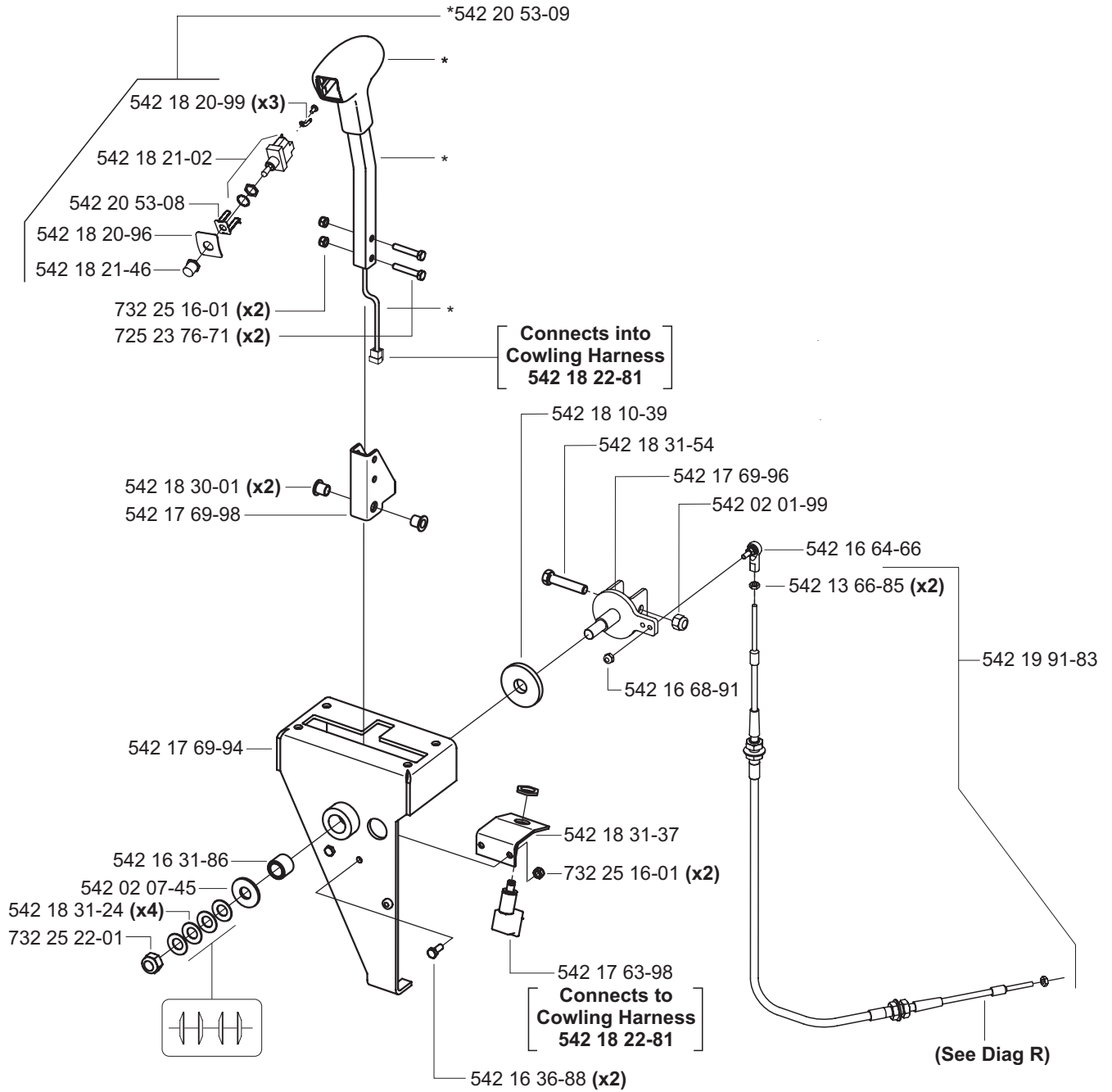
Speed Control - FS8400

Speed Control - compl. 542 19 94-51

*Handle & Switch - compl. 542 19 92-22



09.07.07

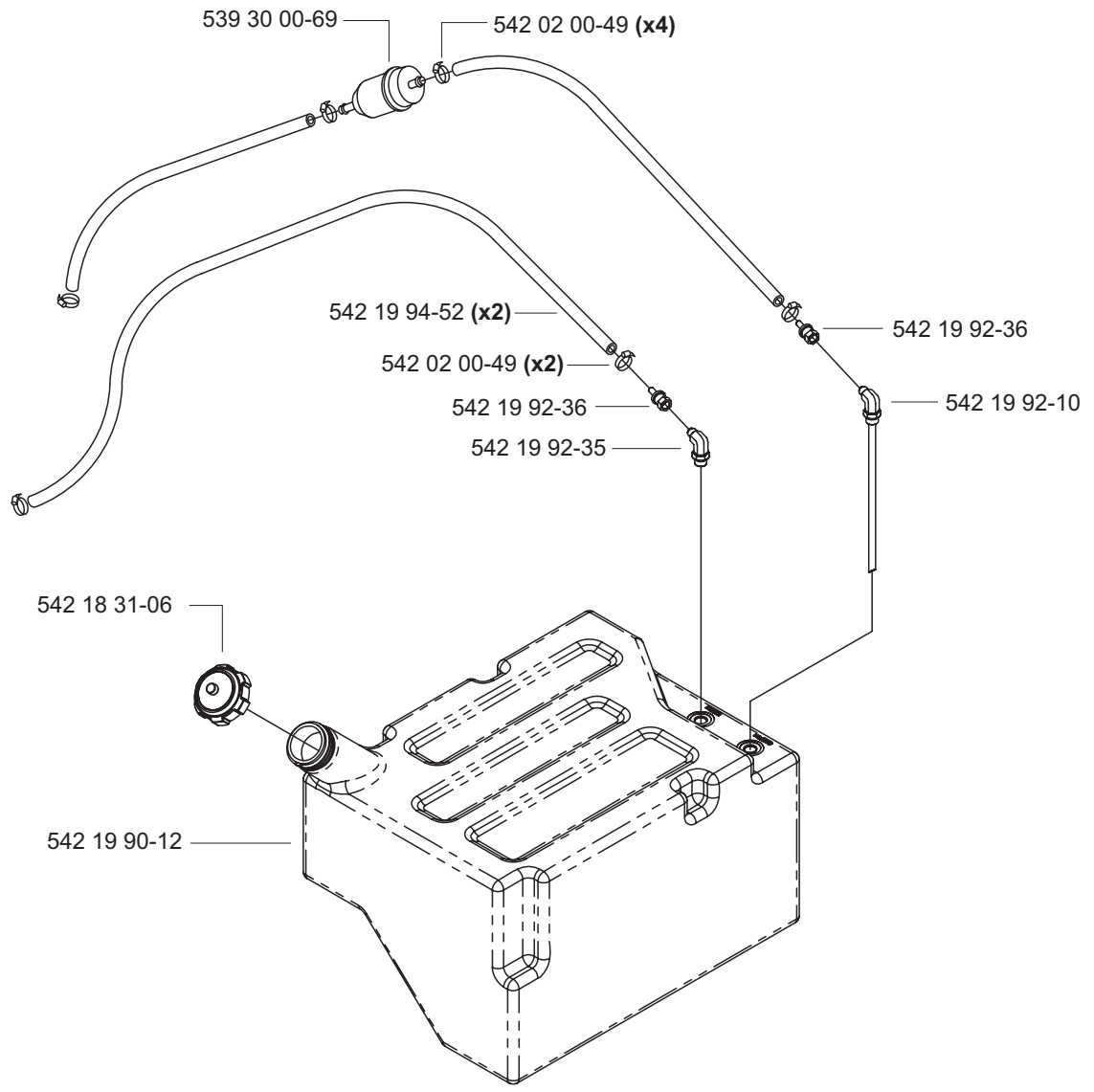


K Fuel Tank

See Diag D

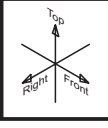


01.09.07

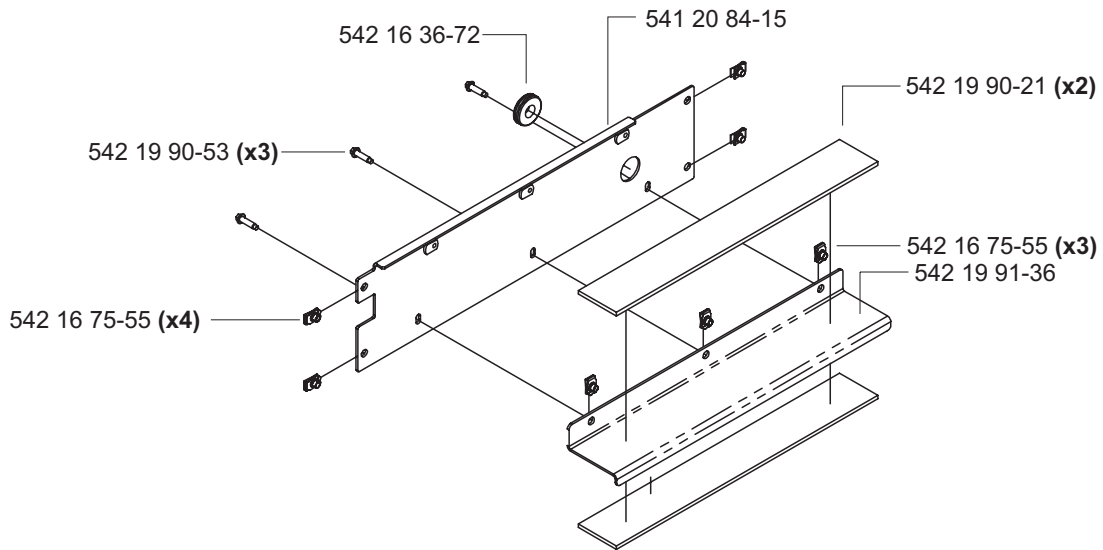


L1 Cowling - Front - FS8400

See Diag D

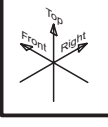


07.24.07

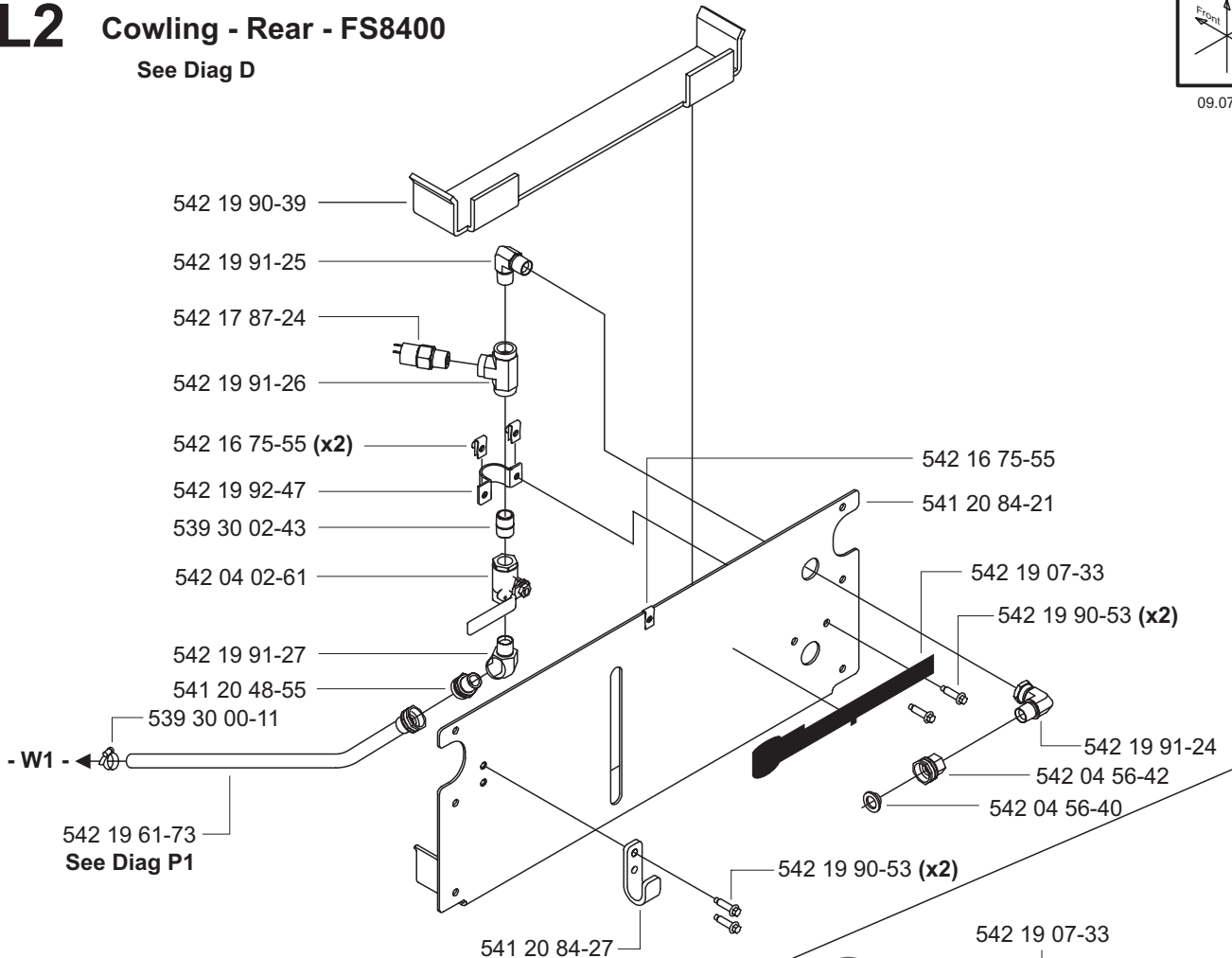


L2 Cowling - Rear - FS8400

See Diag D



09.07.07



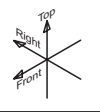
542 19 61-73
See Diag P1

For Water Pump Kit
See Diag Y



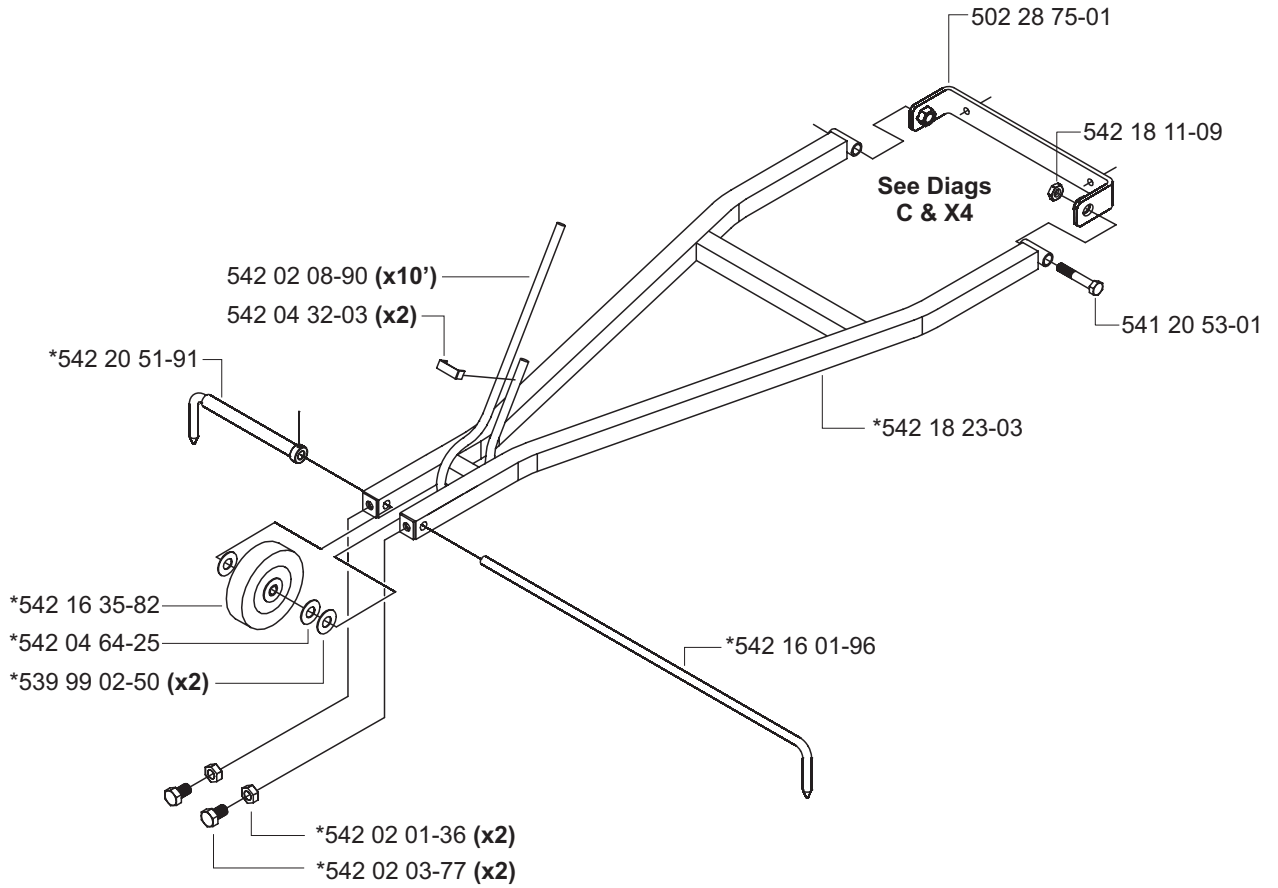
M Front Pointer - FS8400

See Diag C



08.26.07

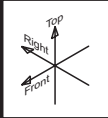
* 542 18 33-96 Front Pointer - Compl



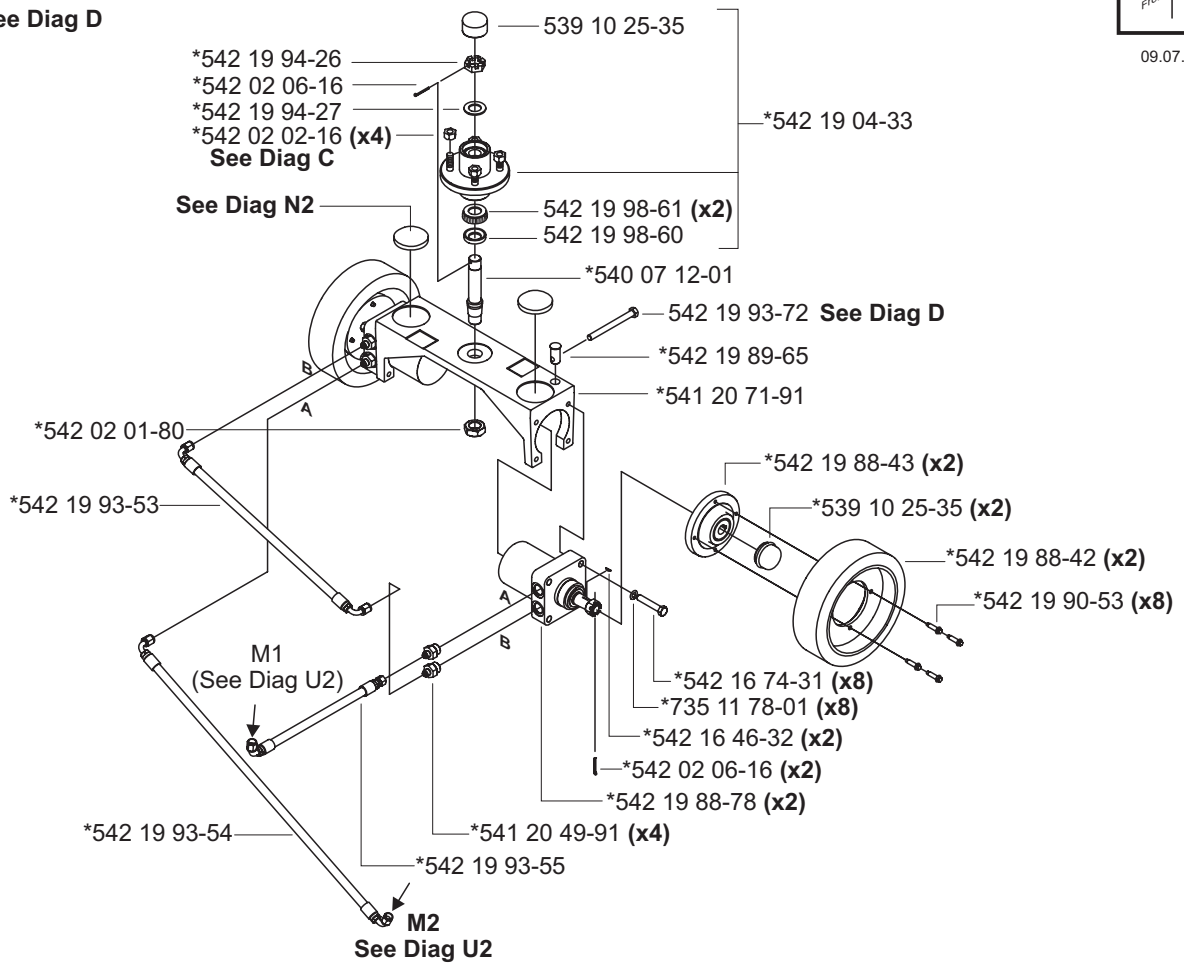
N1 Rear Axle - Manual

See Diag D

*542 19 95-55 Rear Axle - Compl

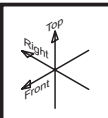


09.07.07



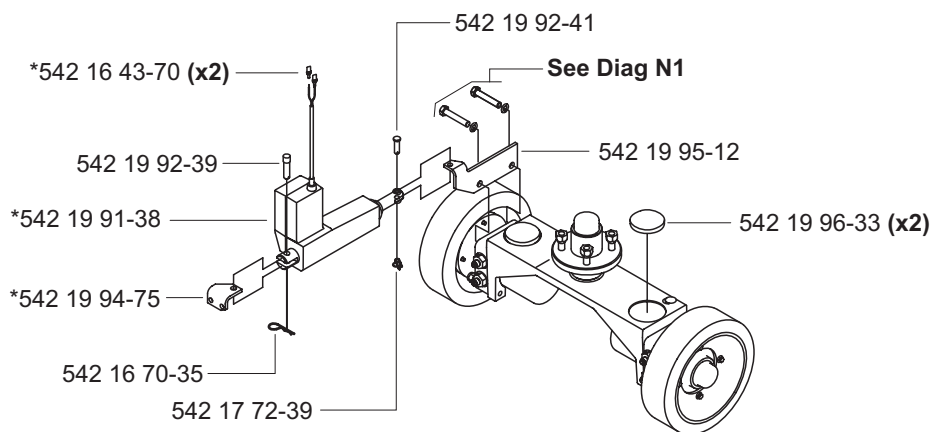
N2 Rear Axle - E-Track

See Diag D



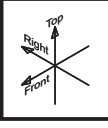
06.27.07

*542 19 94-94 Actuator - Compl

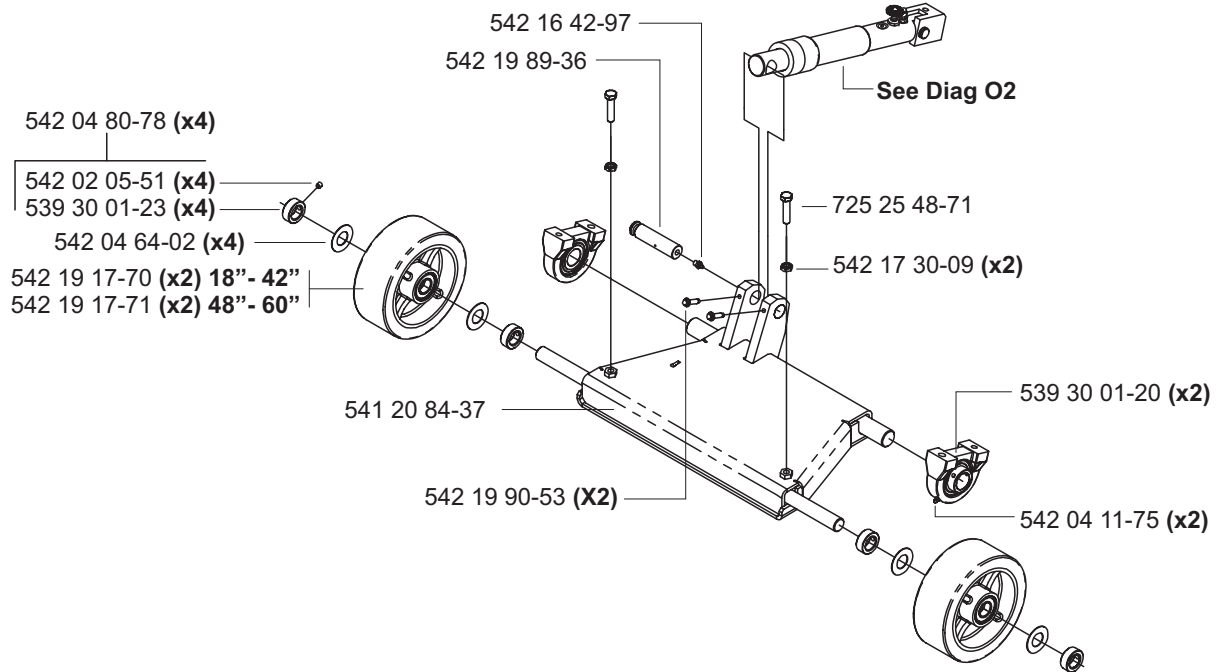


O1 Front Axle - FS8400

See Diag C

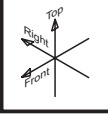


09.06.07

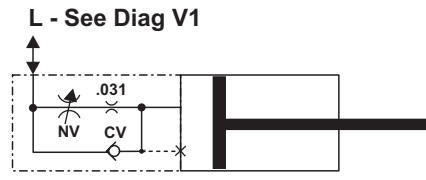
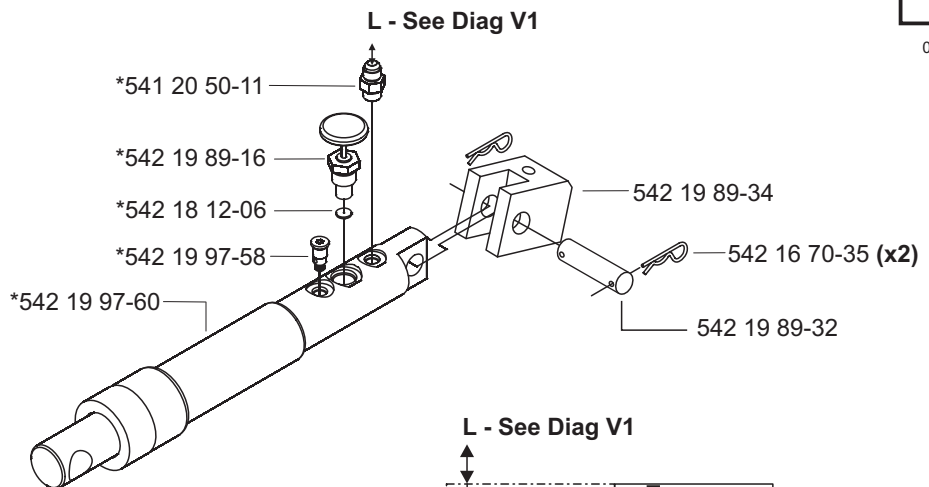


O2 Hydraulic Lift Cylinder - FS8400

*542 19 97-62 - Compl



08.16.07



HYDRAULIC SCHEMATIC
(See Operators Manual)

P1 Engine, Fan & Gearbox - FS8400

**** 1-Speed ****

*542 19 95-53 Engine - compl

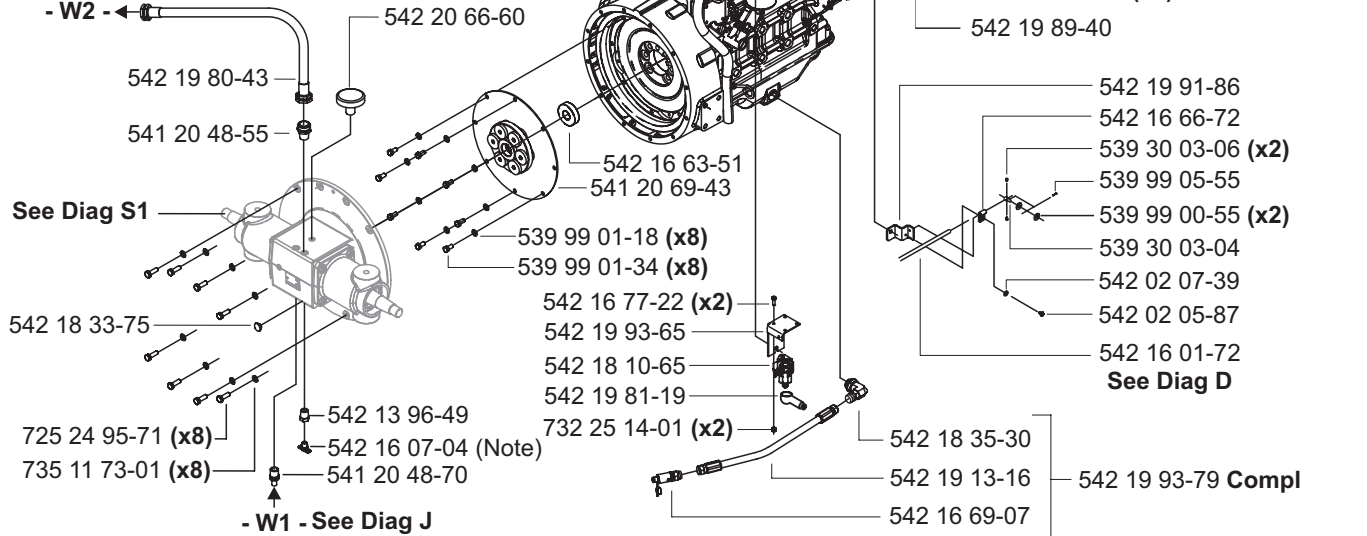
Engine Service Parts (Not Shown)

- *542 19 95-53 Engine JD 5-cyl w/ Flywhl CL Mod
- *542 19 96-56 Starter, JD 12VDC
- *542 19 94-60 Filter, Oil
- *542 19 94-61 Element, Fuel Filter
- *504 73 22-01 Belt, Serpentine
- *504 73 32-01 Pulley, Crankshaft

See Diags

X1,X2,X3,X5,X6

- W2 -



NOTE: Drain water when Temperature below 32°F (0°C).

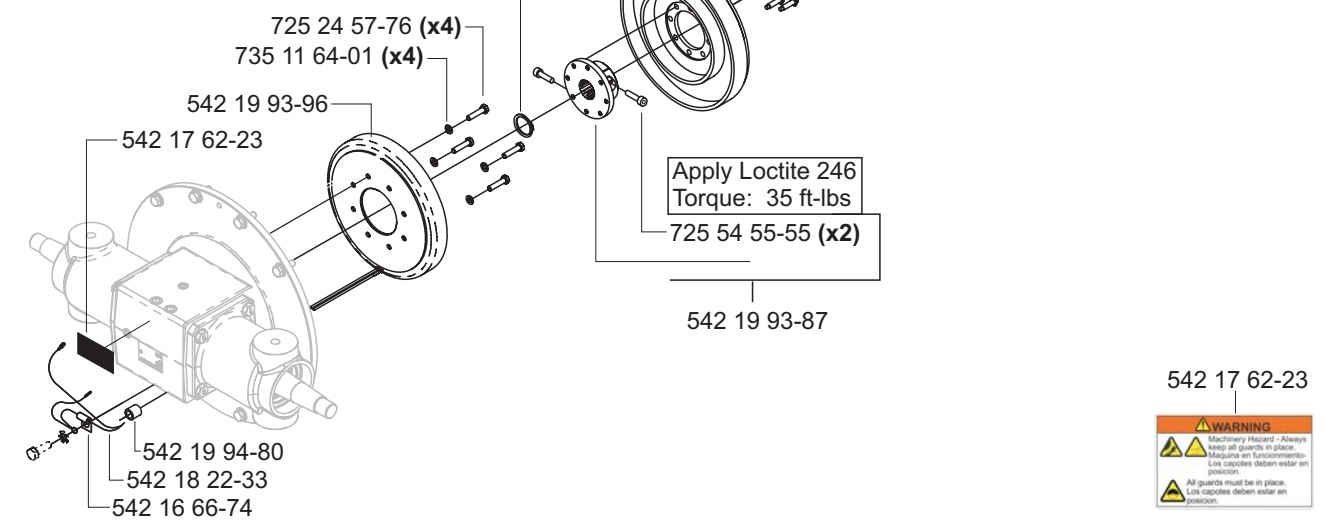
P2 Engine Gearbox - Clutch

**** 1-Speed ****

*542 19 95-53 Engine - compl

Engine Service Parts (Not Shown)

- *542 19 95-53 Engine JD 5-cyl w/ Flywhl CL Mod
- *542 19 96-56 Starter, JD 12VDC
- *542 19 94-60 Filter, Oil
- *542 19 94-61 Element, Fuel Filter
- *504 73 22-01 Belt, Serpentine
- *504 73 32-01 Pulley, Crankshaft

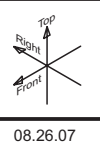


542 17 62-23

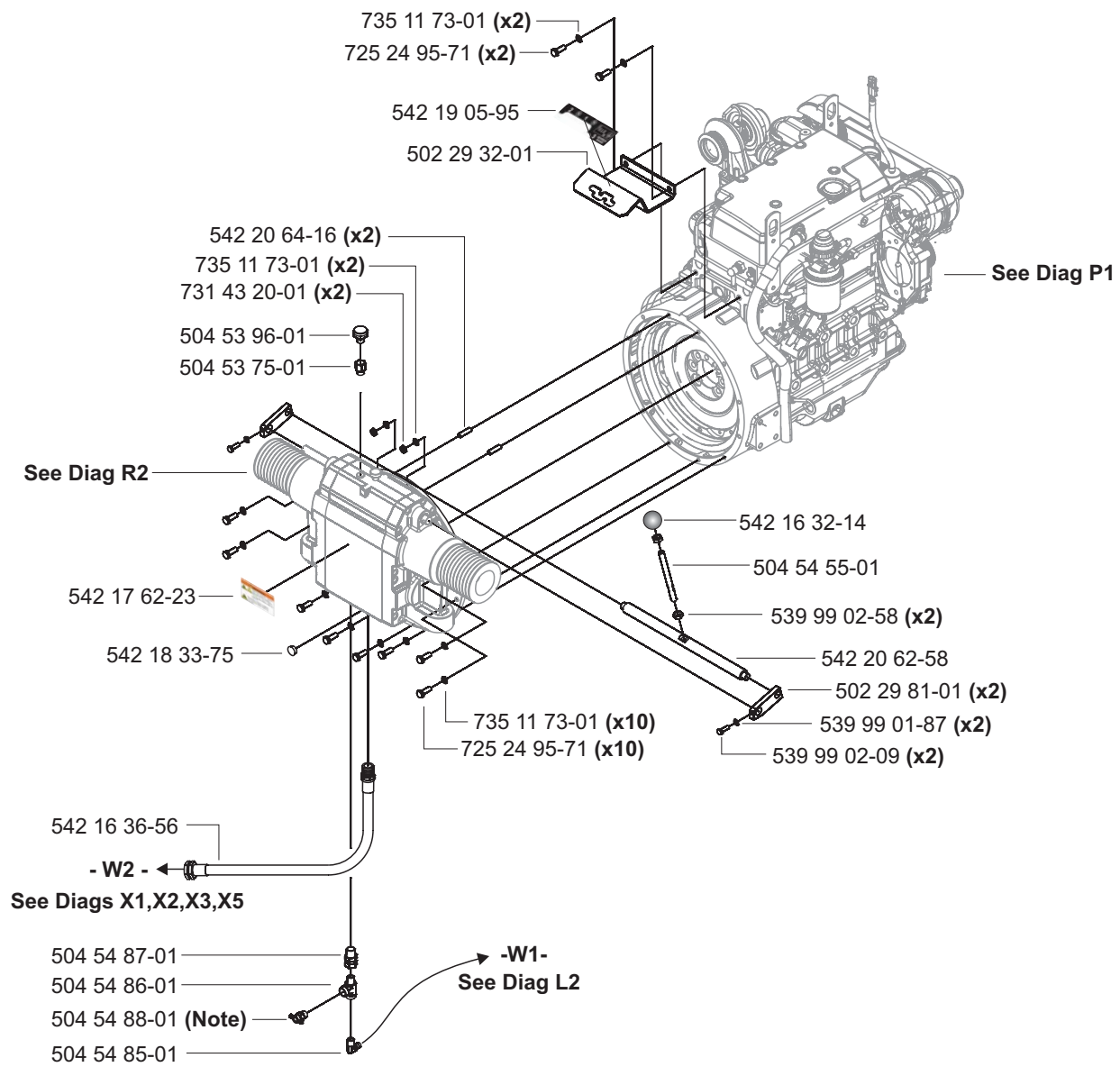
WARNING
Machinery Hazard - Always keep all guards in place. Maquina en funcionamiento. Los capotes deben estar en posición.
All guards must be in place. Los capotes deben estar en posición.

P3 Gearbox & Belt Guard

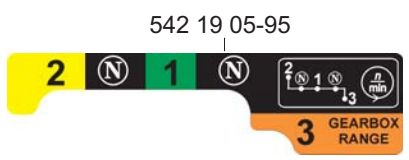
**** 3 - Speed ****



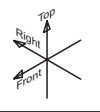
08.26.07



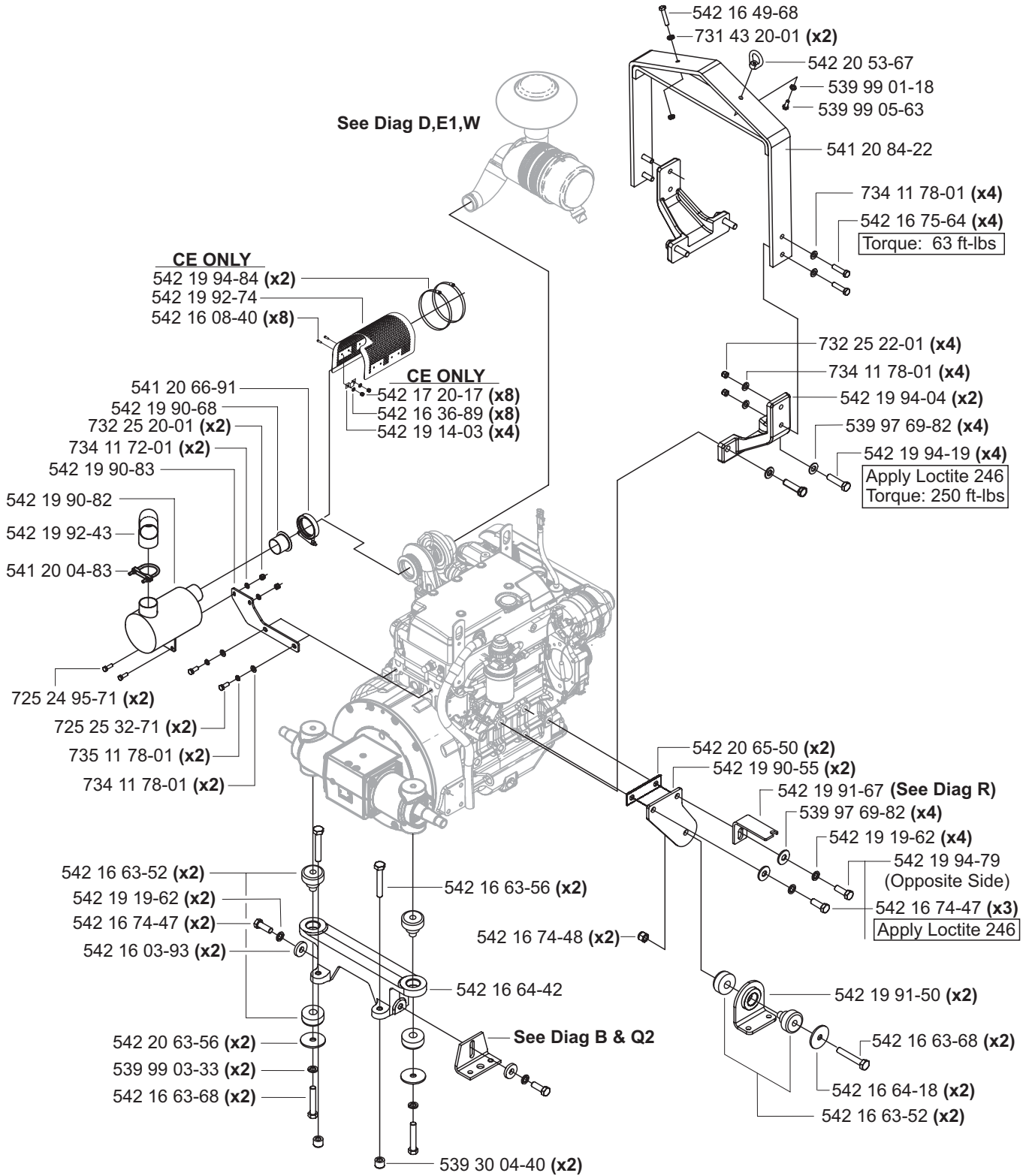
NOTE: Drain water when Temperature below 32°F (0°C).



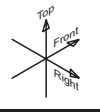
Q1 Engine Mounting, Lift Bail & Muffler - FS8400



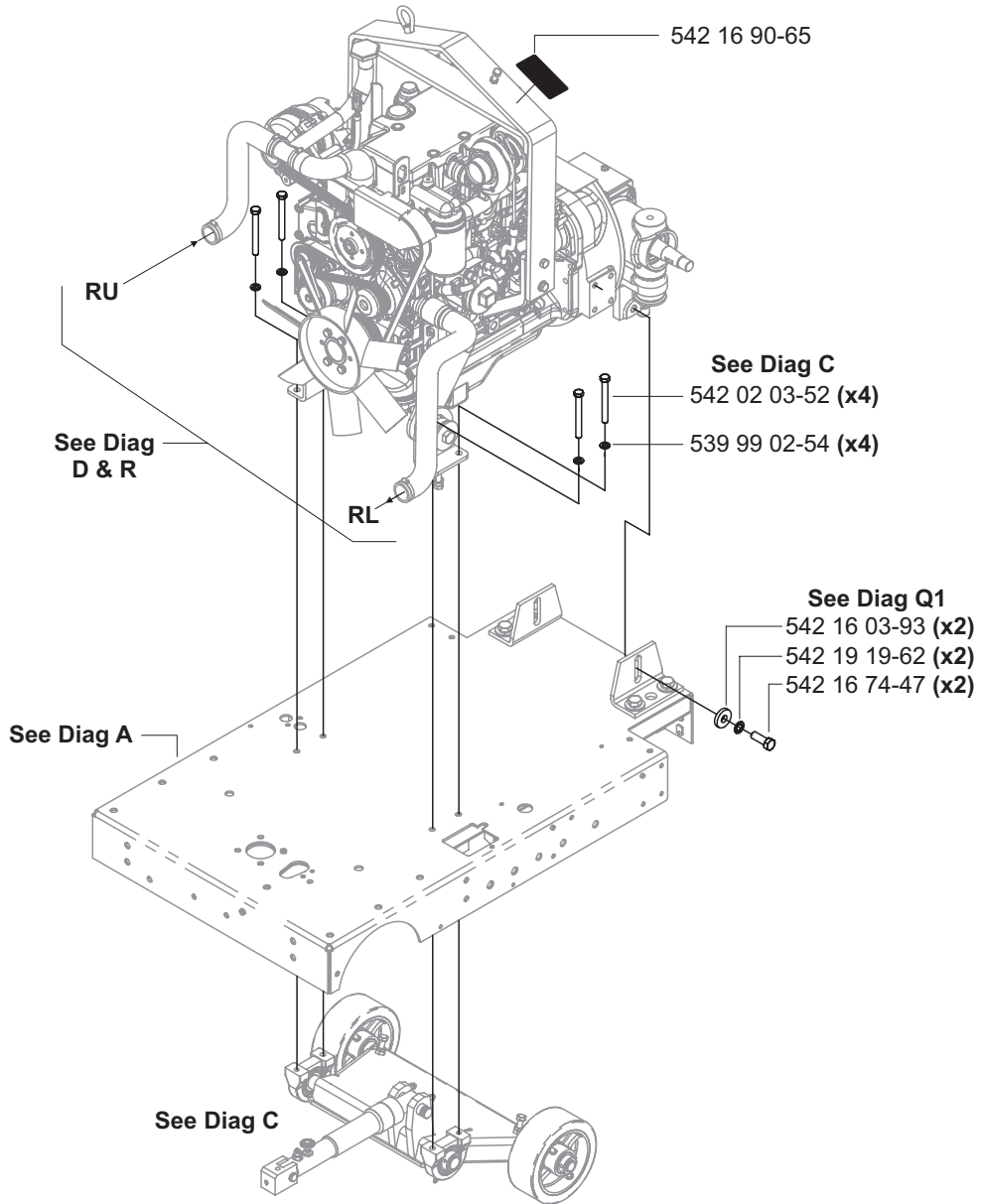
09.06.07



Q2 Engine Mounting - FS8400



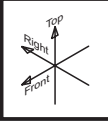
07.24.07



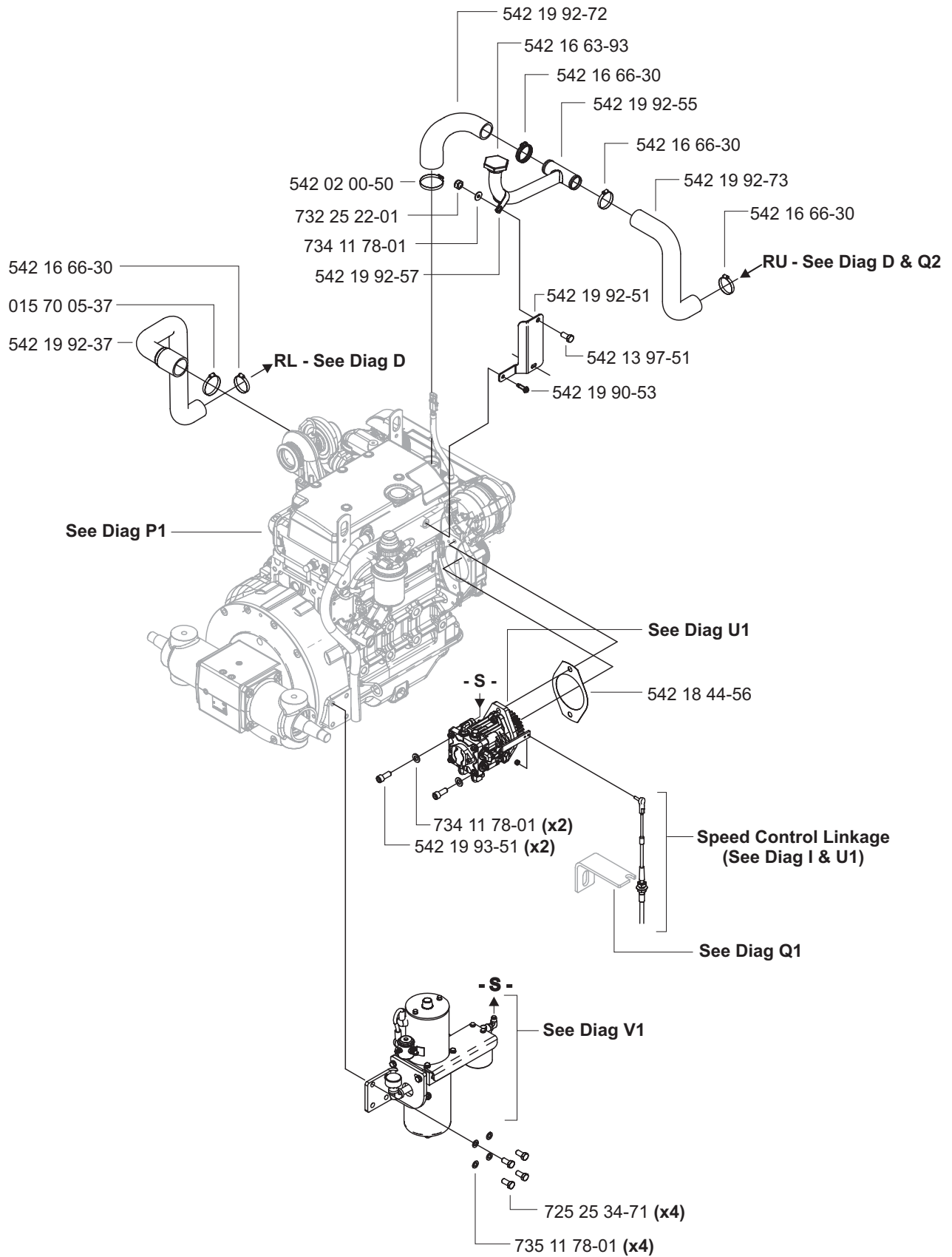
542 16 90-65



R Engine Cooling & Pumps - FS8400

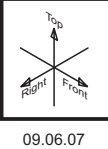


09.07.07



S1 Gearbox-Blade Shaft - FS8400

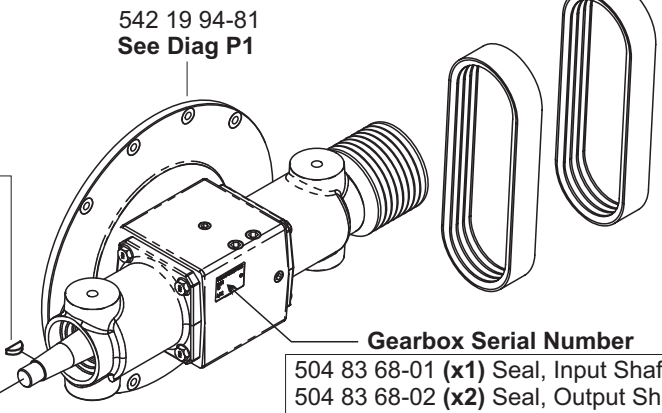
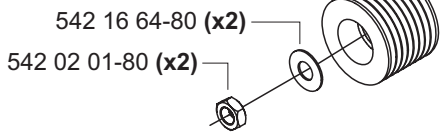
**** 1-Speed ****



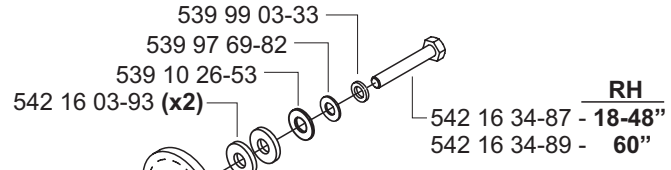
09.06.07

10 Gr Pulley No	Dia	Blade
542 19 95-32 (x2)	4.75"	18"
542 19 95-31 (x2)	4.12"	26"
542 19 95-30 (x2)	3.65"	30-60"

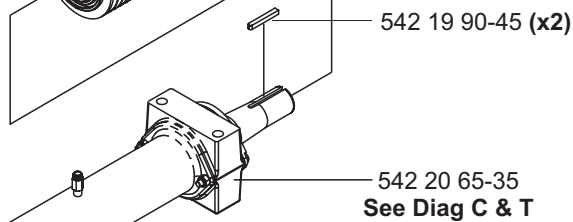
541 20 71-00 - Kit, Sheave Puller (Optional)



Gearbox Serial Number
 504 83 68-01 (x1) Seal, Input Shaft
 504 83 68-02 (x2) Seal, Output Shaft

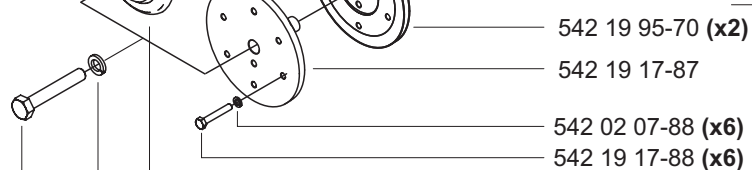
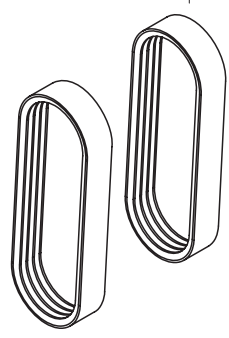


5-Band 3VX Qty	Size	Blade Dia
542 19 97-00 (x4)	465	18-26, 36" & 48"
542 19 97-66 (x4)	450	30"
542 19 97-65 (x4)	485	42"
541 20 19-08 (x4)	500	60"

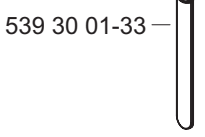


Pulley No	Dia	Blade
542 19 95-33 (x2)	4.12"	18"
542 19 95-34 (x2)	4.75"	26-30"
542 19 95-35 (x2)	5.60"	36"
542 19 97-46 (x2)	6.40"	42"
542 19 95-36 (x2)	6.90"	48"
542 19 95-37 (x2)	9.30"	60"

Inner Flange	Dia	Blade
541 20 68-88 (x2)	5"	18-30"
542 19 88-64 (x2)	6"	36"
542 19 93-17 (x2)	7"	42"
542 19 93-31 (x2)	8"	48"



60" Only

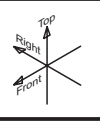


542 16 34-88 **LH** 18-48"
 542 16 34-90 60"

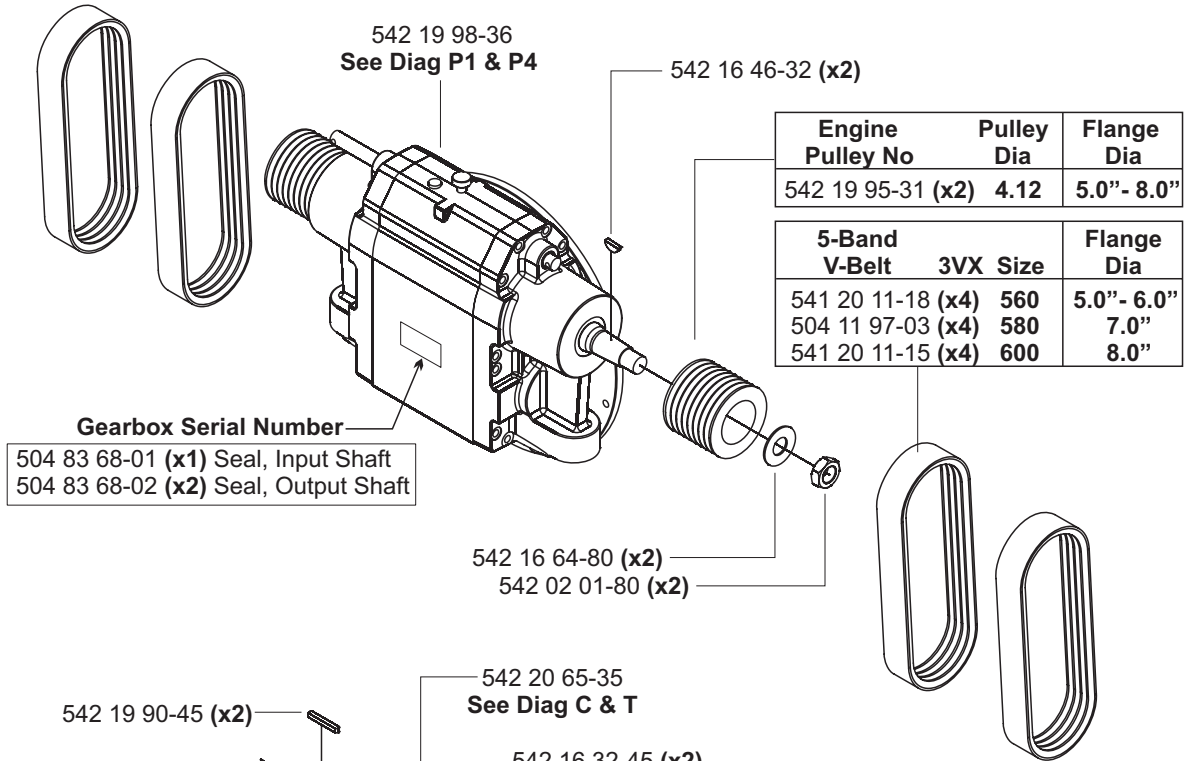
Outer Flange w/ Dowel Pin	Dia	Blade	Dowel Pin	Dia x Lg
542 16 63-07	5"	18-30"	542 02 03-04	.375 x 1.50"
542 16 32-72	6"	36"	542 02 03-04	.375 x 1.50"
542 19 93-78	7"	42"	539 30 00-10	.375 x 1.75"
542 19 19-43	8"	48"	542 02 03-04	.375 x 1.50"
542 19 17-87	10"	60"	539 30 00-10	.375 x 1.75"

S2 Gearbox-Blade Shaft - FS8400

**** 3 - Speed ****



09.06.07



Engine Pulley No	Pulley Dia	Flange Dia
542 19 95-31 (x2)	4.12	5.0" - 8.0"

5-Band V-Belt	3VX Size	Flange Dia
541 20 11-18 (x4)	560	5.0" - 6.0"
504 11 97-03 (x4)	580	7.0"
541 20 11-15 (x4)	600	8.0"

Gearbox Serial Number
504 83 68-01 (x1) Seal, Input Shaft
504 83 68-02 (x2) Seal, Output Shaft

Inner Flange	Dia
541 20 68-88 (x2)	5.0"
542 19 88-64 (x2)	6.0"
542 19 93-17 (x2)	7.0"
542 19 93-31 (x2)	8.0"

Outer Flange w/ Dowel Pin	Dia	Dowel Pin	Dia x Lg
542 16 63-07	5.0"	542 02 03-04	.375 x 1.50"
542 16 32-72	6.0"	539 30 00-10	.375 x 1.75"
542 19 93-78	7.0"	539 30 00-10	.375 x 1.75"
542 19 19-43	8.0"	542 02 03-04	.375 x 1.50"

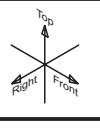
Bladeshaft Pulley No	Pulley Dia	Flange Dia
542 19 95-33 (x2)	4.12"	5.0"
542 19 95-34 (x2)	4.75"	6.0"
542 19 95-35 (x2)	5.60"	7.0"
542 19 95-36 (x2)	6.90"	8.0"

541 20 71-00 Kit, Sheave Puller (Optional)

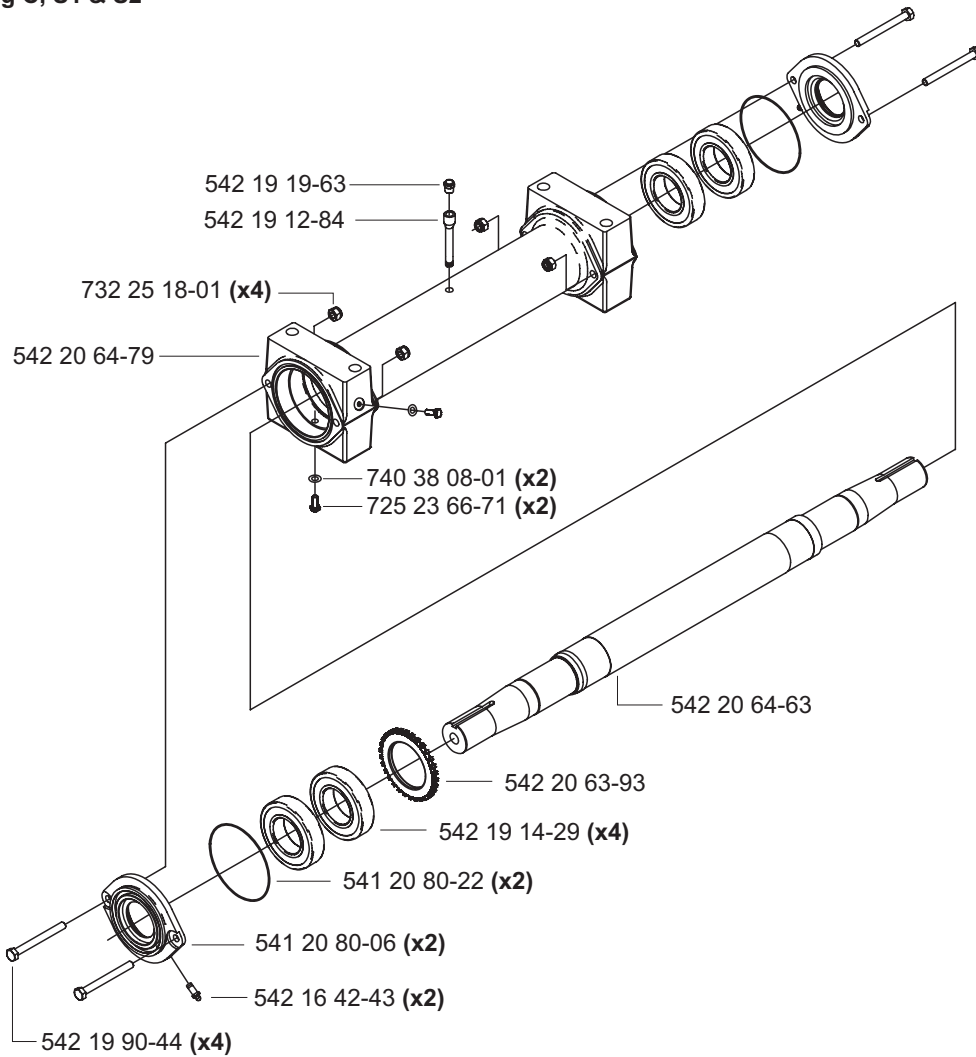
T Blade Shaft Tube - FS8400

542 20 65-35 - Compl

See Diag C, S1 & S2



09.06.07



Blade Shaft Assemblies - Compl with: Pulleys, Flanges & Mounting Fasteners

09.06.07

FS8400 1-Speed

Assy No	Blade	Pulley, 10G (x2)	Dia	Inner Flange	Outer Flange	Dia
542 19 95-80	18"	542 19 95-33	4.12"	541 20 68-88	542 16 63-07	5"
542 19 95-81	26/30"	542 19 95-34	4.75"	541 20 68-88	542 16 63-07	5"
542 19 95-82	36"	542 19 95-35	5.60"	542 19 88-64	542 16 32-72	6"
542 19 97-42	42"	542 19 97-46	6.40"	542 19 93-17	542 19 93-78	7"
542 19 95-83	48"	542 19 95-36	6.90"	542 19 93-31	542 19 19-43	8"
542 19 95-84	60"	542 19 95-37	9.30"	542 19 95-70	542 19 17-87	10"

Blade Shaft Assemblies - Compl with: Pulleys, Flanges & Mounting Fasteners

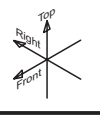
09.06.07

FS8400 3-Speed

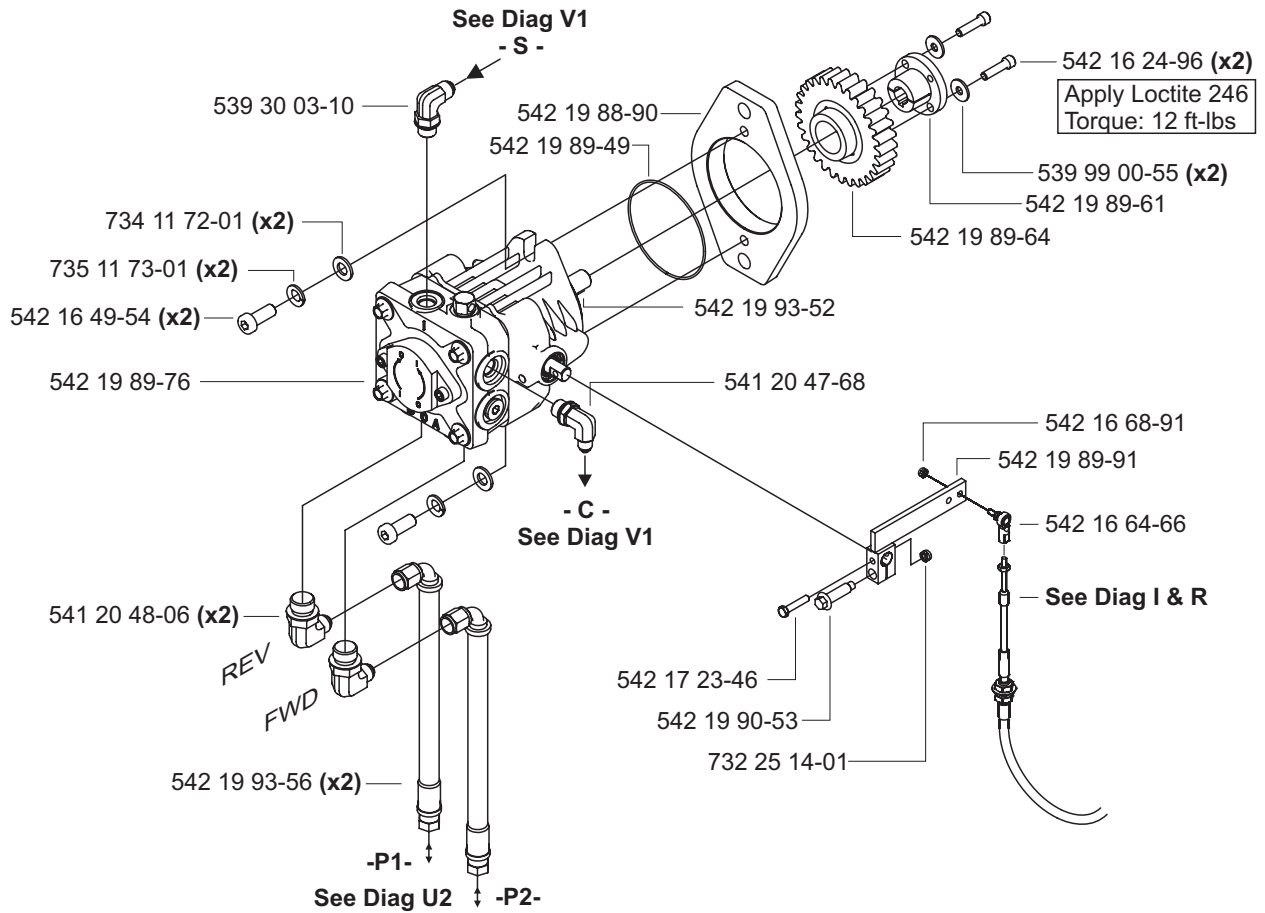
Assy No	Blade	Pulley, 10G (x2)	Dia	Inner Flange	Outer Flange	Dia
504 82 70-05	18-30"	542 19 95-33	4.12"	541 20 68-88	542 16 62-86	5"
502 82 70-06	26/30"	542 19 95-34	4.75"	542 19 88-64	542 16 32-72	6"
504 82 70-07	42"	542 19 95-35	5.60"	542 19 93-17	542 19 93-78	7"
504 82 70-08	48"	542 19 95-36	6.90"	542 19 93-31	542 19 19-43	8"

U1 Hydraulic Drive Pump - FS8400

See Diag R



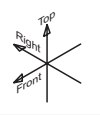
07.24.07



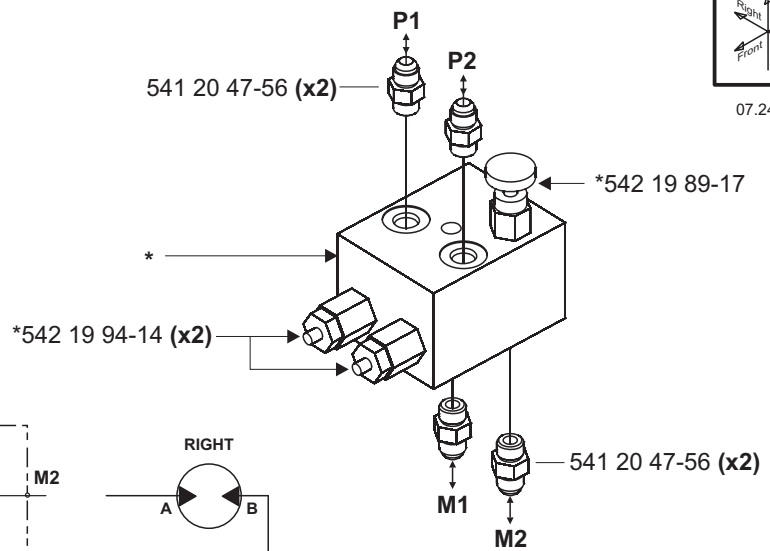
U2 Bypass Valve Manifold

See Diag A

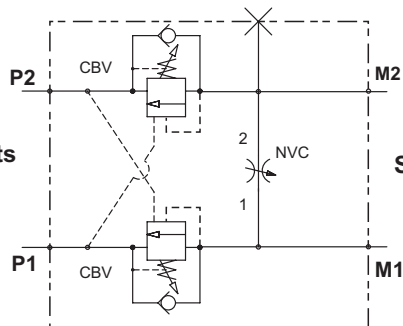
*542 19 89-15 Valve - Compl



07.24.07

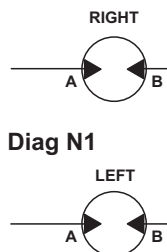


To Pump Outlets
See Diag U1

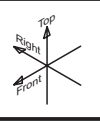


HYDRAULIC SCHEMATIC
(See Operators Manual)

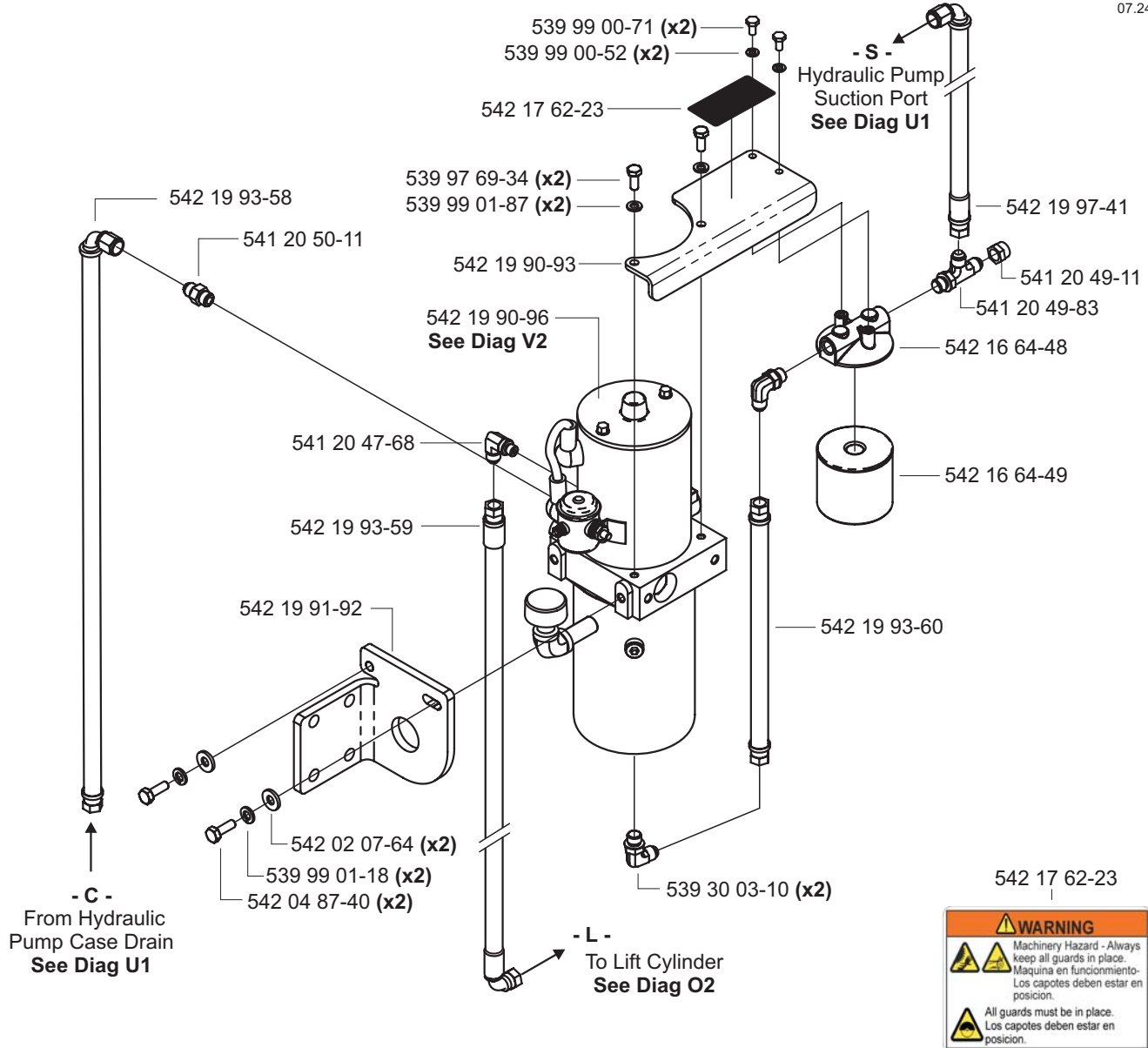
See Diag N1



V1 Lift Pump & Filter



07.24.07



WARNING

Machinery Hazard - Always keep all guards in place.
Maquina en funcionamiento - Los capotes deben estar en posicion.

All guards must be in place.
Los capotes deben estar en posicion.

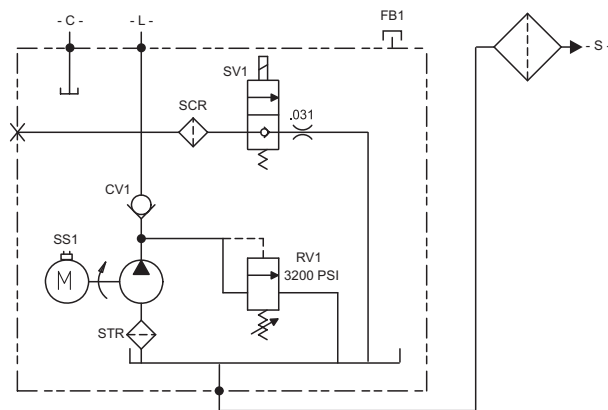
V2 Lift Pump (Not Shown)

07.24.07

542 19 90-96 - Compl

Lift Pump Service Parts

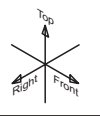
- SS1 - 542 16 61-21 Starter Switch - 12VDC
- RV1 - 542 16 33-21 Valve, Adj. Relief
- CV1 - 542 16 33-19 Valve, Check Cart.
- STR - 542 16 33-26 Strainer, Pump
- FB1 - 542 16 33-24 Cap, Filler-Breather
- SV1 - 542 18 30-06 Valve Cartridge
- " - 542 16 65-94 Coil - 12 VDC
- " - 542 18 00-23 Filter Screen
- " - 542 02 01-77 Nut, Thin Jam
- " - 542 16 33-50 Spring, Valve
- " - 542 16 33-51 Spool Kit



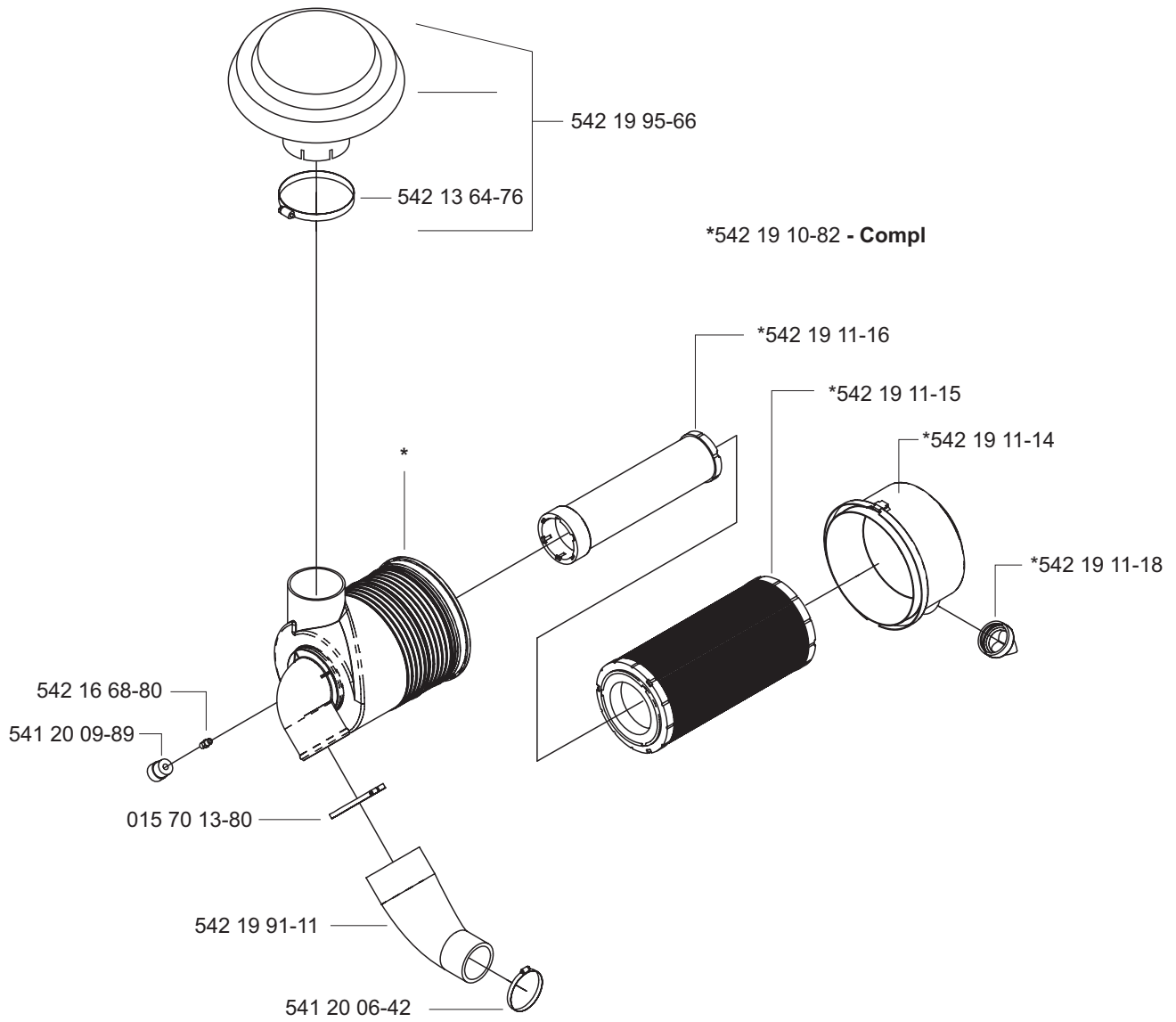
HYDRAULIC SCHEMATIC

W Air Filter - FS8400

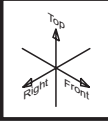
See Diag D, E1 & Q1



08.20.07

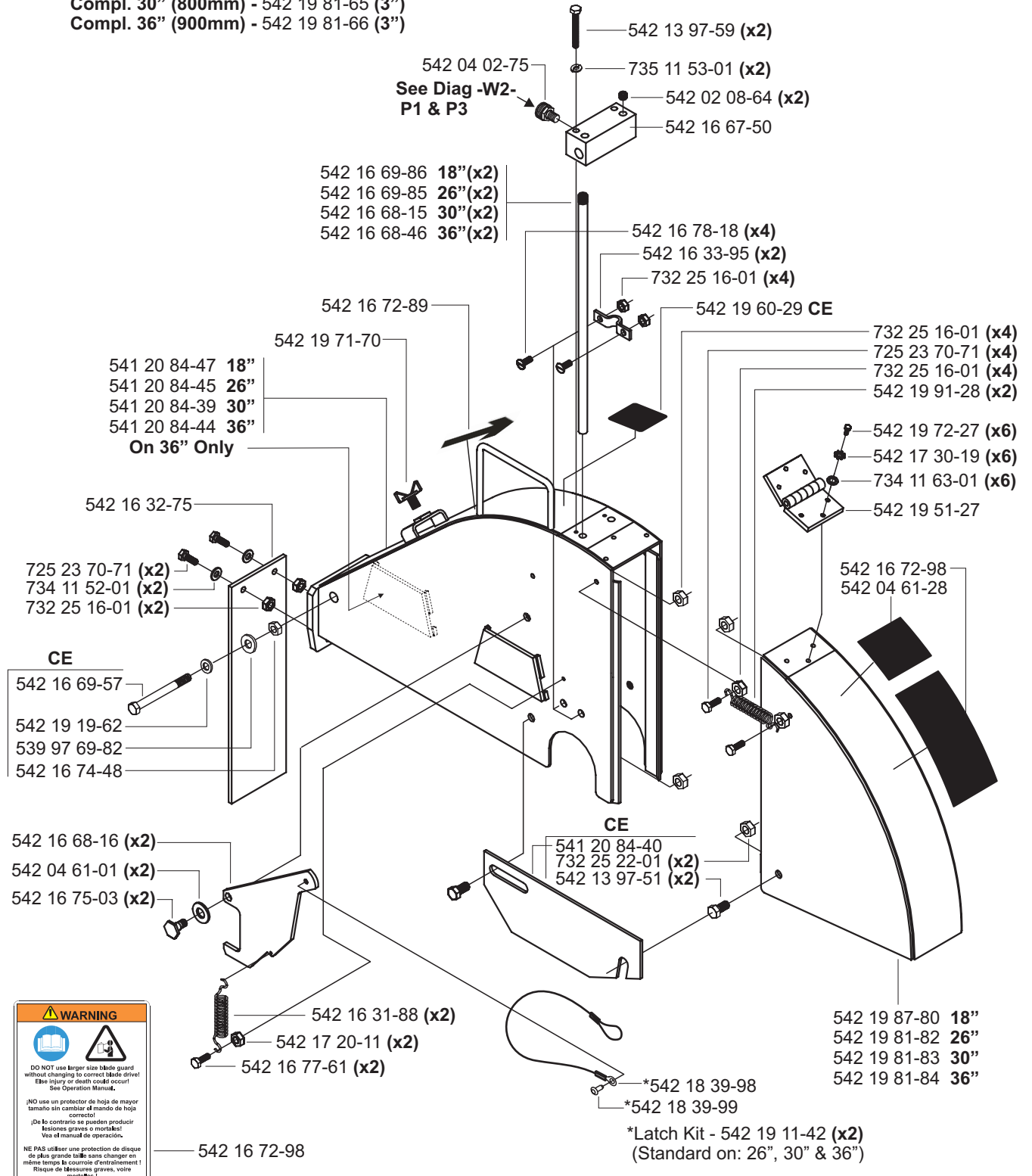


X1 Blade Guard Assy - Slip-On - FS8400



09.06.07

- Compl. 18" (450mm) - 542 19 87-78 (3")
- Compl. 26" (600mm) - 542 19 81-64 (3")
- Compl. 30" (800mm) - 542 19 81-65 (3")
- Compl. 36" (900mm) - 542 19 81-66 (3")



WARNING

DO NOT use larger size blade guard without changing to correct blade drive! Else injury or death could occur! See Operation Manual.

(NO use un protector de hoja de mayor tamaño sin cambiar el mando de hoja correcto!)

(De lo contrario se pueden producir lesiones graves o mortales! Ver el manual de operación.)

NE PAS utiliser une protection de disque de plus grande taille sans changer en même temps le courroie d'entraînement! Risque de blessures graves, voire mortelles! Voir le manuel.

Bei Verwendung einer größeren Sägeblattabdeckung MUSS der entsprechende Antrieb installiert werden! Andernfalls besteht Verletzungs- oder Lebensgefahr! Siehe Betriebsanleitung.

Gebruik GEEN grotere bladafdekking zonder de aandrijving aan te passen! Andon of niet passen, zou dit tot een letsel of de dood kunnen leiden! Zie bedieningshandleiding.

NON usare un riparo del disco di dimensioni più grandi senza cambiare anche la trasmissione del disco nella misura corretta!

In caso contrario, si possono verificare infortuni o morti. Vedere il Manuale d'uso.

ANVÄND INTE ett bladskydd som är större utan att byta till rätt bladdriv! Det kan orsaka personskada eller död! Se bruksanvisningen.

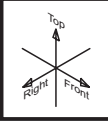
WARNING

DO NOT CHANGE TO A LARGER BLADE GUARD SIZE WITHOUT CHANGING TO PROPER BELT DRIVE, ENGINE SPEED AND BLADE FLANGES. FAILURE TO COMPLY COULD RESULT IN DEATH OR SERIOUS BODILY INJURY. SEE OPERATOR'S MANUAL FOR INSTRUCTIONS. IF YOU DO NOT HAVE AN OPERATOR'S MANUAL, CALL TOLL FREE 1-800-288-5040

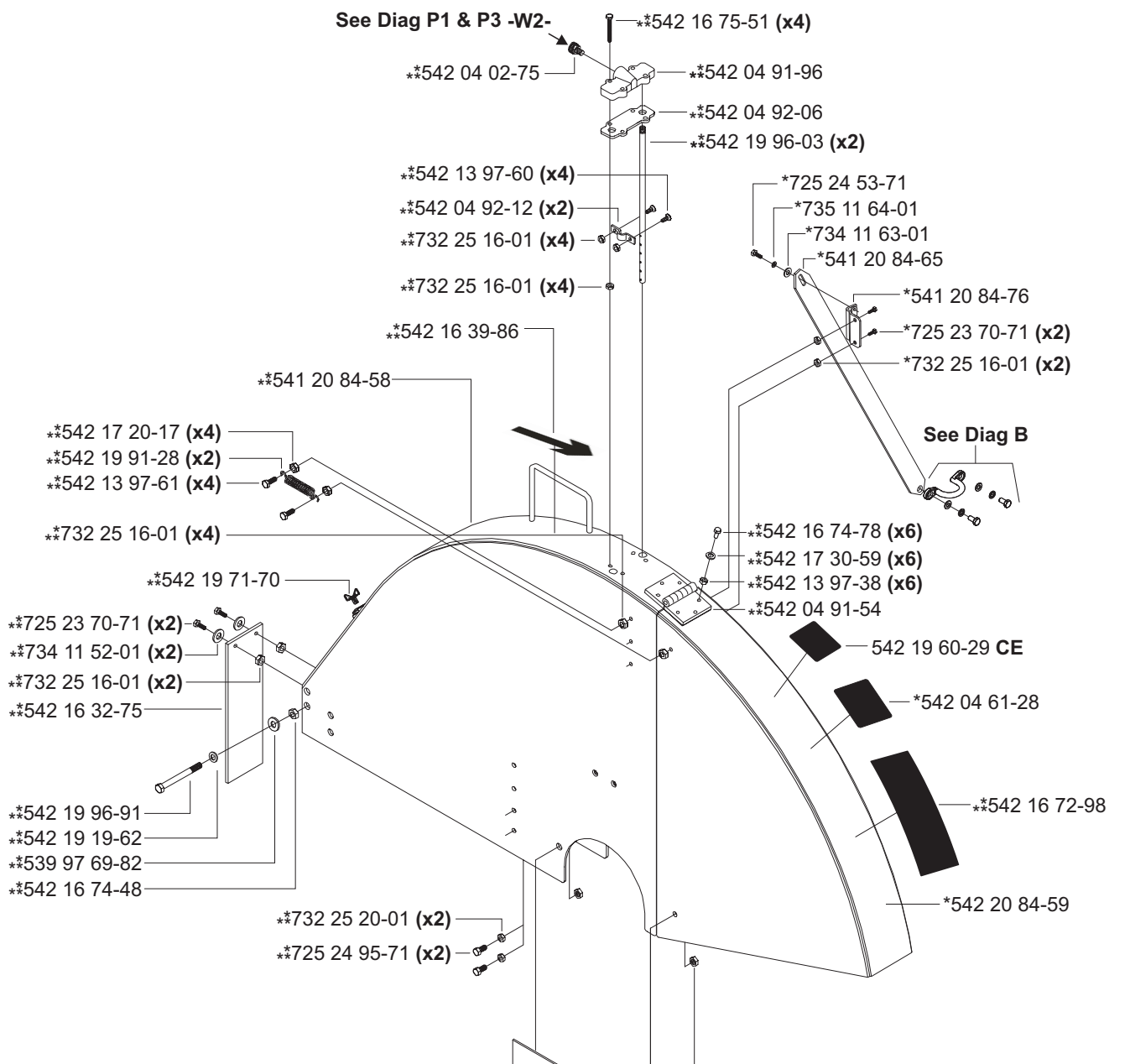


X2 Blade Guard Assy - 42" Bolt-On

*542 19 93-90 42" (1000mm) Compl
 *542 19 96-31 42" Blade Guard ONLY



09.05.07



WARNING

DO NOT use larger size blade guard without changing to correct blade drive! Else injury or death could occur! See Operation Manual.

NO use un protector de hoja de mayor tamaño sin cambiar el mando de hoja correcto!
 ¡De lo contrario se pueden producir lesiones graves o mortales! Vea el manual de operación.

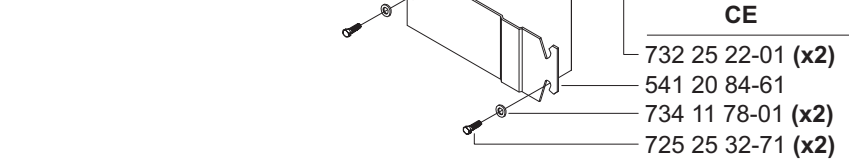
NE PAS utiliser une protection de disque de plus grande taille sans changer en même temps la courroie d'entraînement! Risque de blessures graves, voire mortelles!
 Voir le manuel.

Bei Verwendung einer größeren Sägeblattabdeckung MUSS der entsprechende Antrieb (Stirntrieb) verwendet werden! Andernfalls besteht Verletzungs- oder Lebensgefahr! Siehe Betriebsanleitung.

Gebruik GEEN grotere bladafdekking zonder de blad aandrijving aan te passen indien dit niet gebeurt, zou dit tot een letsel of de dood kunnen leiden! Zie bedieningshandleiding.

NON usare un riparo del disco di dimensioni più grandi senza cambiare anche la trasmissione del disco nella misura corretta!
 In caso contrario, si possono verificare infortuni o morte!
 Vedere il Manuale d'uso.

ANVÄND INTE ett bladskydd som är större utan att byta till rätt bladöverföring!
 Det kan orsaka personskada eller död!
 Se bruksanvisningen.



*542 16 72-98 *542 04 61-28 **542 16 39-86 542 19 60-29 CE

WARNING

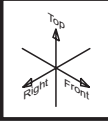
DO NOT CHANGE TO A LARGER BLADE GUARD SIZE WITHOUT CHANGING TO PROPER BELT DRIVE, ENGINE SPEED AND BLADE FLANGES. FAILURE TO COMPLY COULD RESULT IN DEATH OR SERIOUS BODILY INJURY. SEE OPERATOR'S MANUAL FOR INSTRUCTIONS. IF YOU DO NOT HAVE AN OPERATOR'S MANUAL, CALL TOLL FREE 1-800-288-5040



LWA
119 dB

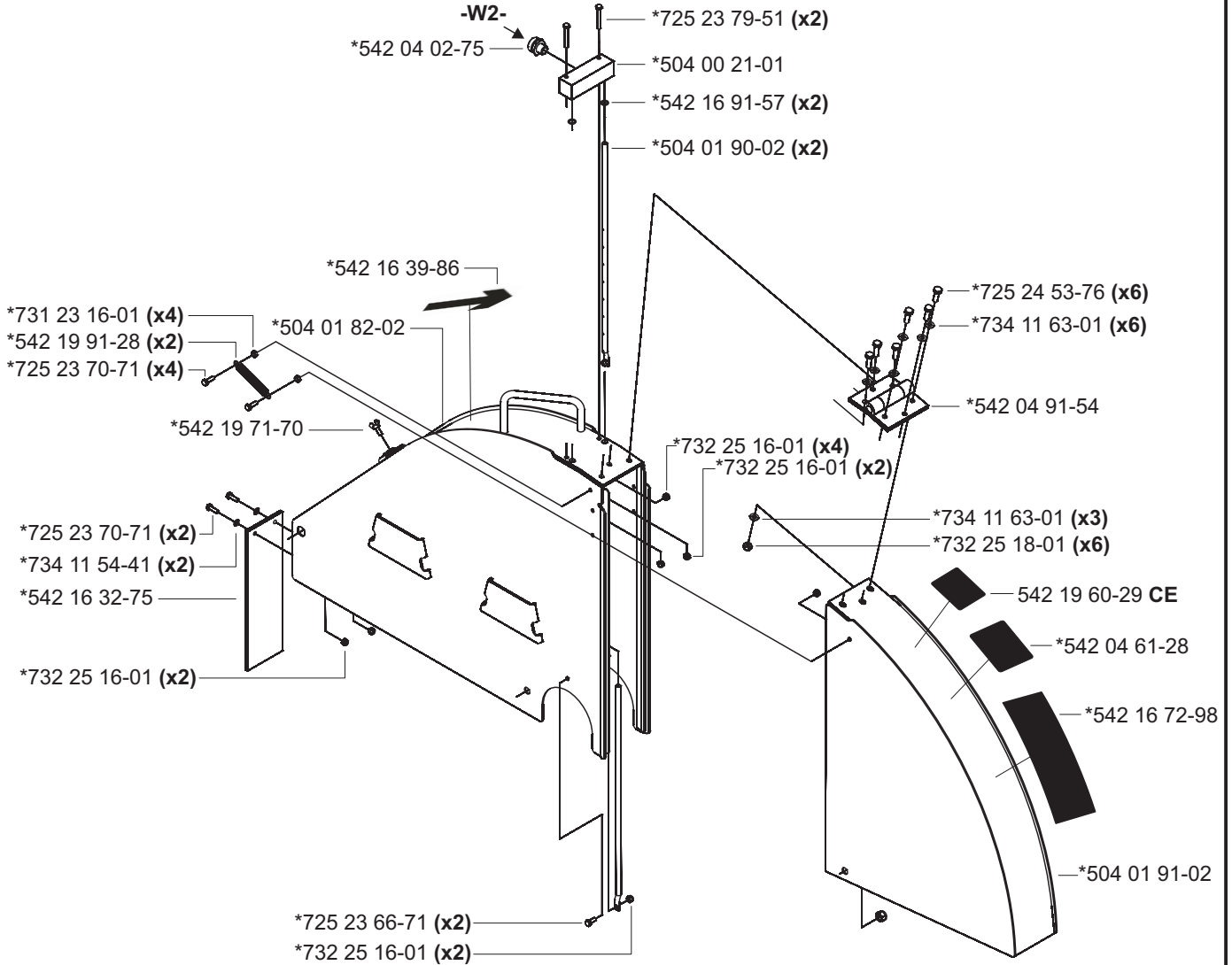
X3 Blade Guard Assy - 42" Slip-On

*504 01 94-01 42" (1000mm) Compl



09.05.07

See Diags
P1 & P3



WARNING

DO NOT use larger size blade guard without changing to correct blade drive! Else injury or death could occur! See Operation Manual.

(NO use un protector de hoja de mayor tamaño sin cambiar el mando de hoja correcto!)

(De lo contrario se pueden producir lesiones graves o mortales! Vea el manual de operación.)

NE PAS utiliser une protection de disque de plus grande taille sans changer en même temps le courroie d'entraînement! Risque de blessures graves, voire mortelles! Voir le manuel.

Bei Verwendung einer größeren Sägeblattabdeckung MUSS der entsprechende Antrieb installiert werden! Andernfalls besteht Verletzungs- oder Lebensgefahr! Siehe Betriebsanleitung.

Gebruik GEEN grotere bladafdekking zonder de aandrijving aan te passen! Andernzins bestaat er een levensgevaar!

NON usare un riparo del disco di dimensioni più grandi senza cambiare anche la trasmissione del disco nella misura corretta!

In caso contrario, si possono verificare infortuni o morti. Vedere il Manuale d'uso.

ANVÄND INTE ett bladskydd som är större utan att byta till rätt bladdriv! Det kan orsaka personskada eller död! Se bruksanvisningen.

*542 16 72-98

*542 04 61-28

*542 16 39-86

542 19 60-29 CE

WARNING

DO NOT CHANGE TO A LARGER BLADE GUARD SIZE WITHOUT CHANGING TO PROPER BELT DRIVE, ENGINE SPEED AND BLADE FLANGES. FAILURE TO COMPLY COULD RESULT IN DEATH OR SERIOUS BODILY INJURY. SEE OPERATOR'S MANUAL FOR INSTRUCTIONS. IF YOU DO NOT HAVE AN OPERATOR'S MANUAL, CALL TOLL FREE 1-800-288-5040



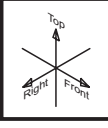
L_{WA}

119 dB

X4 Blade Guard Attachment - 42"(1000mm)

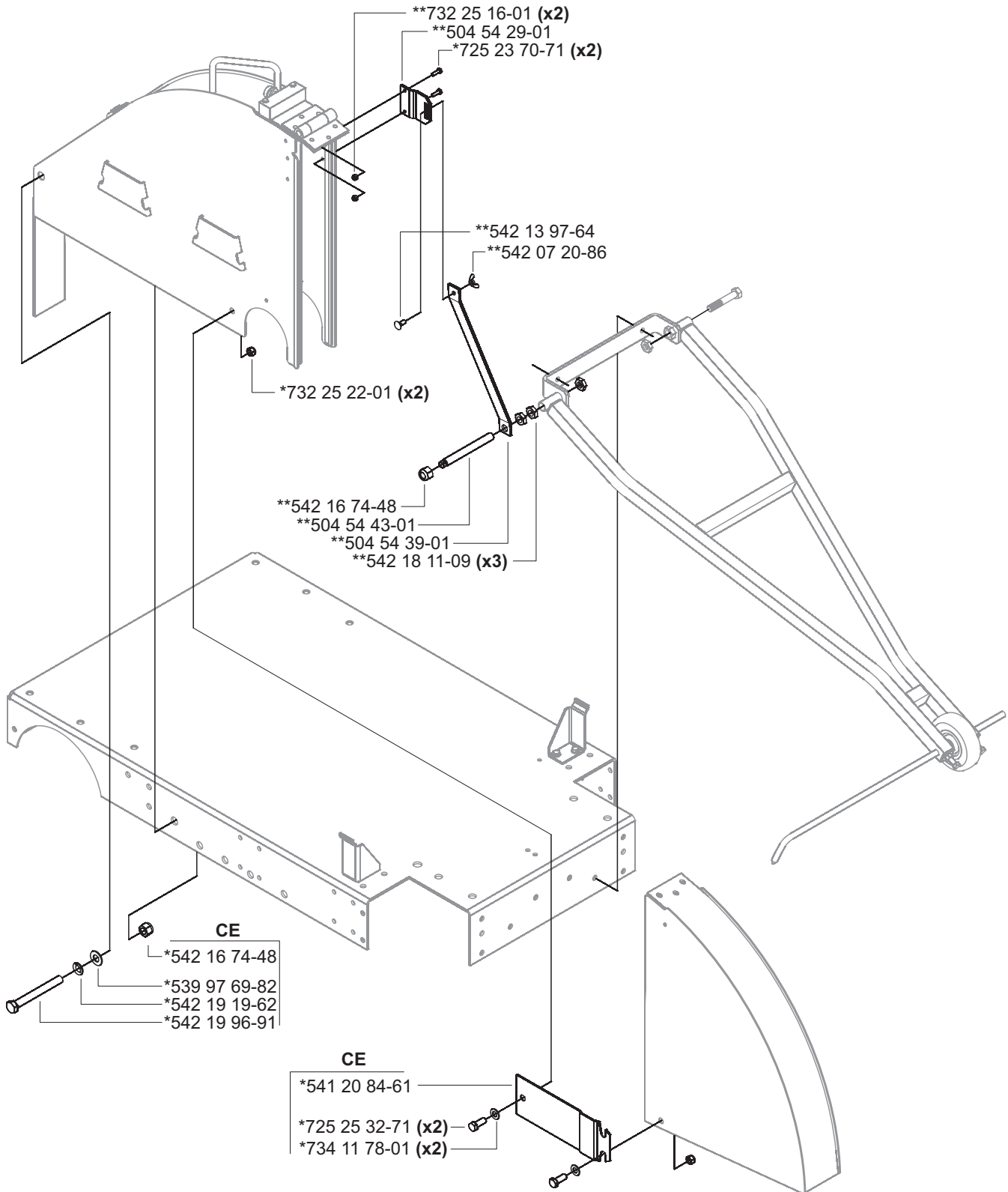
*504 55 83-01 Kit, 42" Blade Guard - Compl

Includes: 504 01 94-01, **504 55 84-01 &
Flange Cover w/ Hardware

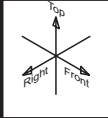


08.26.07

**504 55 84-01 Kit, Attachment

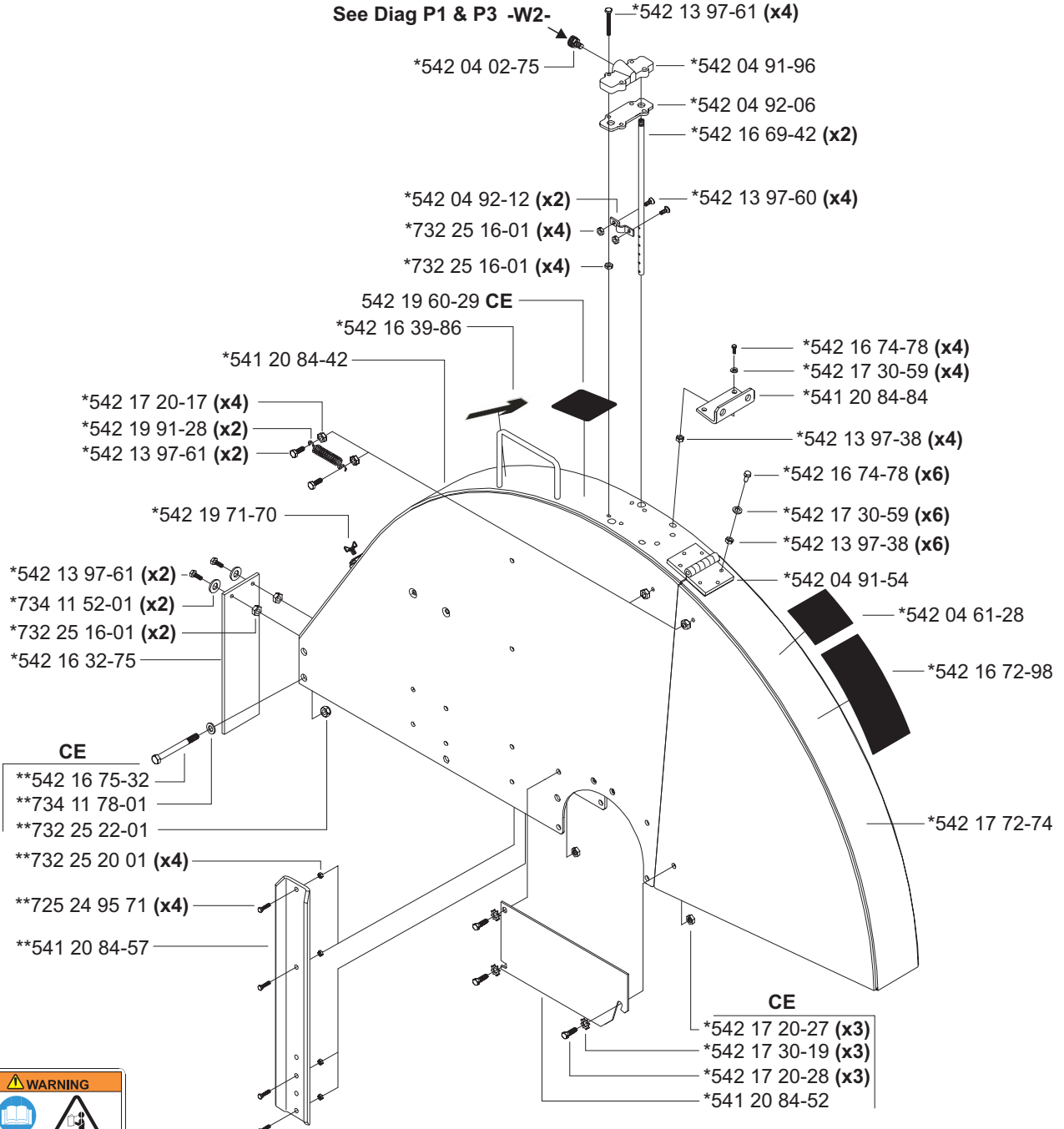


X5 Blade Guard - 48" Bolt-On - FS8400



*542 16 69-32 - Compl 48" (1200mm)

08.27.07



WARNING

DO NOT use larger size blade guard without changing to correct blade drive! Else injury or death could occur! See Operation Manual.

(NO use un protector de hoja de mayor tamaño sin cambiar el mando de hoja correcto!)

(De lo contrario se pueden producir lesiones graves o mortales! Vea el manual de operación.

NE PAS utiliser une protection de disque de plus grande taille sans changer en même temps le courroie d'entraînement ! Risque de blessures graves, voire mortelles ! Voir le manuel.

Bei Verwendung einer größeren Sägeblattabdeckung MUSS der entsprechende Antrieb installiert werden! Andernfalls besteht Verletzungs- oder Lebensgefahr! Siehe Betriebsanleitung.

Gebruik GEEN grotere bladafdekking zonder de aandrijving aan te passen! Indien dit niet gebeurt, zou dit tot een letsel of de dood kunnen leiden! Zie bedieningshandleiding.

NON usare un riparo del disco di dimensioni più grandi senza cambiare anche la trasmissione del disco nella misura corretta!

In caso contrario, si possono verificare infortuni o morti.

ANVÄND INTE ett bladskydd som är större utan att byta till rätt bladstyr!

Det kan orsaka personskada eller död! Se bruksanvisningen.

*542 16 72-98

*542 04 61-28

*542 16 39-86

542 19 60-29 CE

WARNING

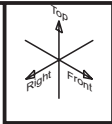
DO NOT CHANGE TO A LARGER BLADE GUARD SIZE WITHOUT CHANGING TO PROPER BELT DRIVE, ENGINE SPEED AND BLADE FLANGES. FAILURE TO COMPLY COULD RESULT IN DEATH OR SERIOUS BODILY INJURY. SEE OPERATOR'S MANUAL FOR INSTRUCTIONS. IF YOU DO NOT HAVE AN OPERATOR'S MANUAL, CALL TOLL FREE 1-800-285-9040



L_{wA}

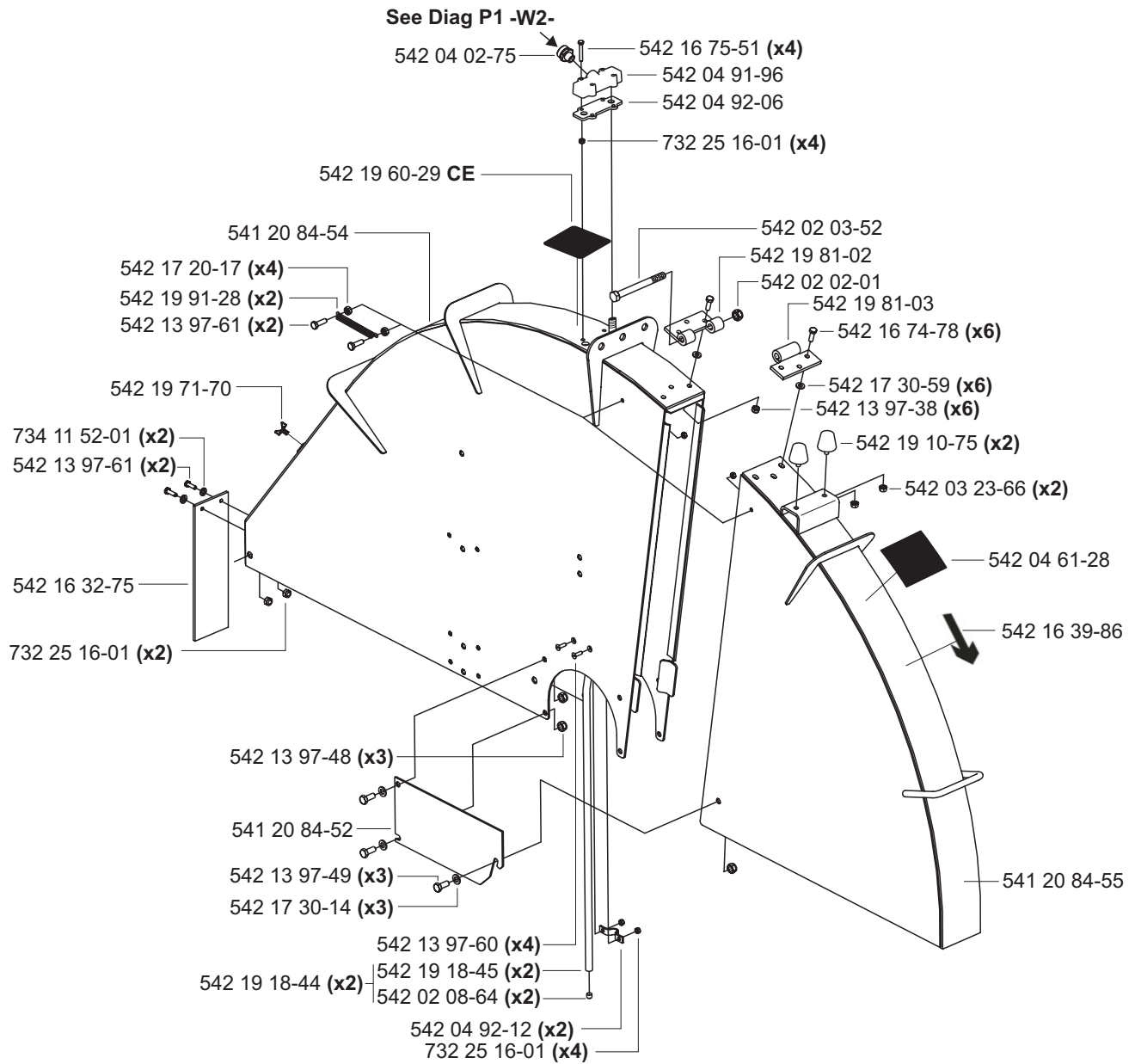
119 dB

X6 Blade Guard - 60" Bolt-On - FS8400



08.27.07

542 19 81-91- **Compl. 60" (1500mm)**
 *Note: 542 19 60-29 Decal not included.
See Diag X7 for Attachment Parts



542 04 61-28



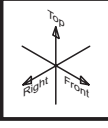
542 16 39-86



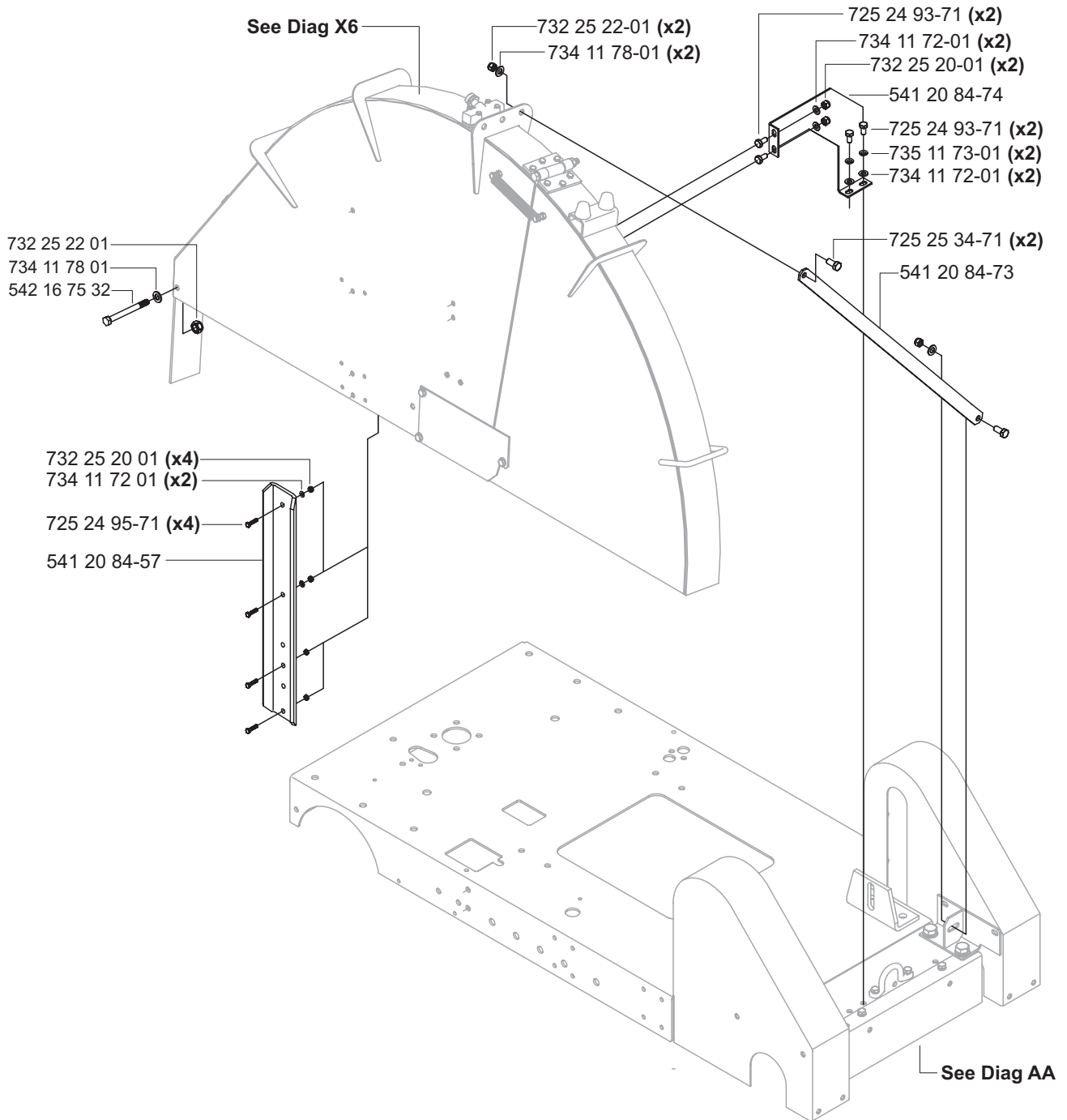
*542 19 60-29 CE



X7 Blade Guard Attachment - 60" (1500mm) - FS8400



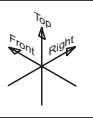
08.27.07



Y Water Pump Kit - FS8400

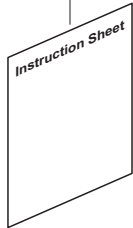
542 19 96-26 - Kit, Compl

*542 19 96-37 Compl



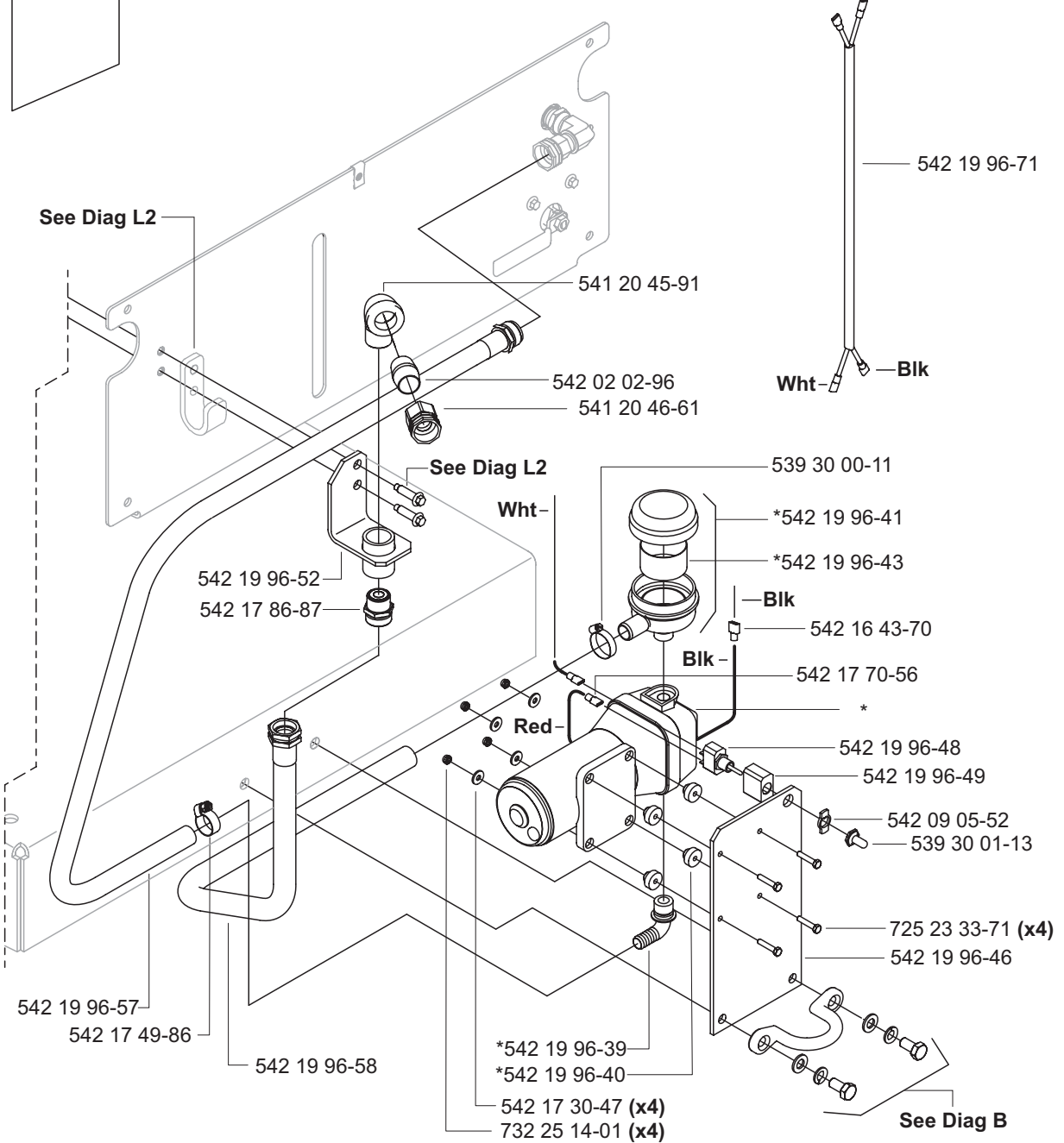
07.24.07

542 20 10-48



See Diag E1 & E2
Main Wiring Diagram
in Operator's Manual
542 16 68-55

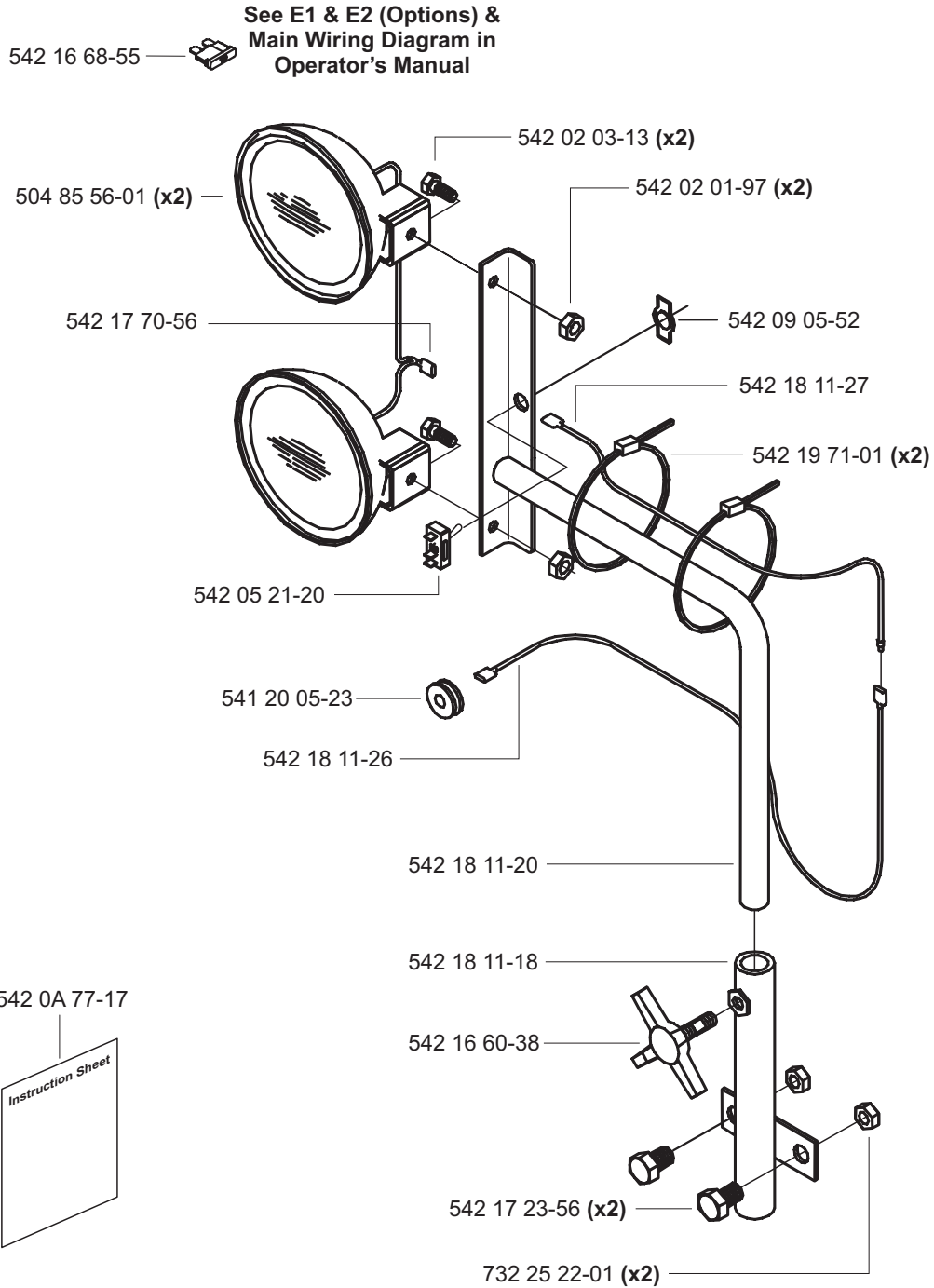
Connects To
Cowl Wiring Harness
See Cowl Wiring Diagram
in Operator's Manual



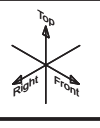
Z Dual Work Light Kit - FS8400

542 18 11 -17 - Kit, Compl

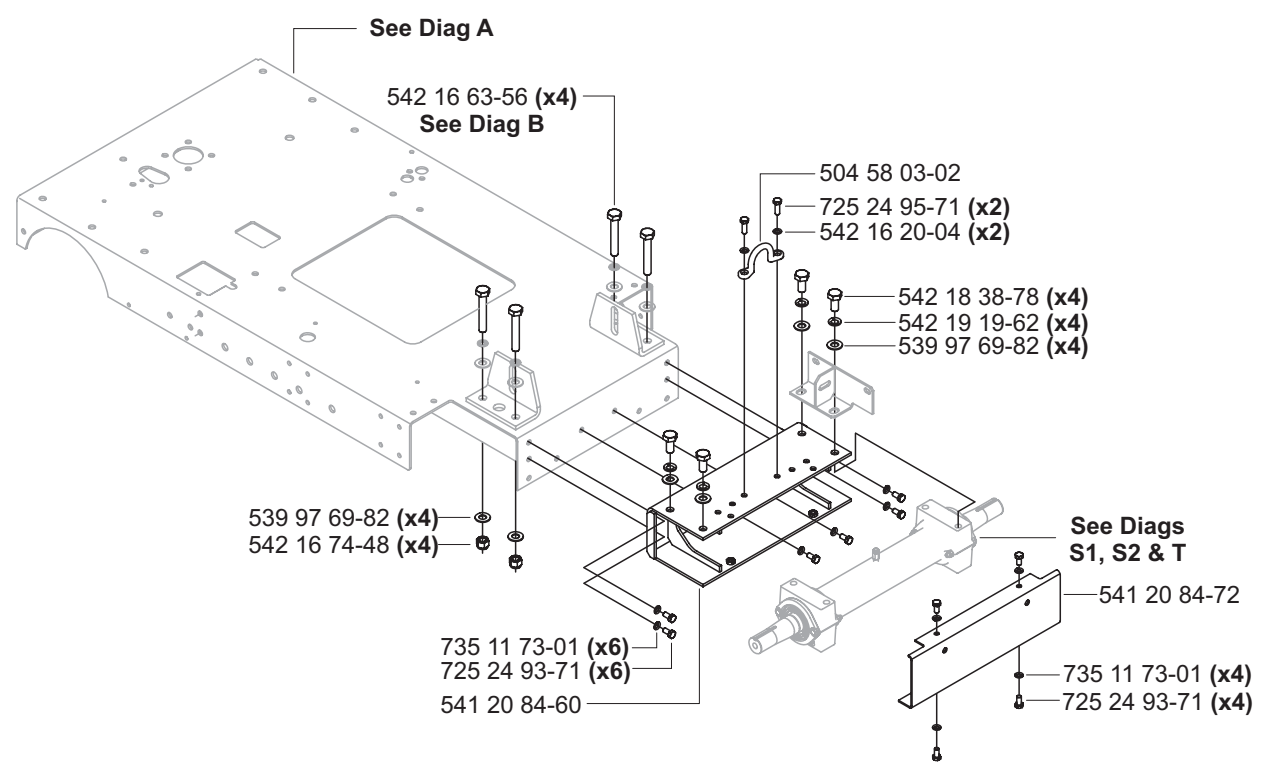
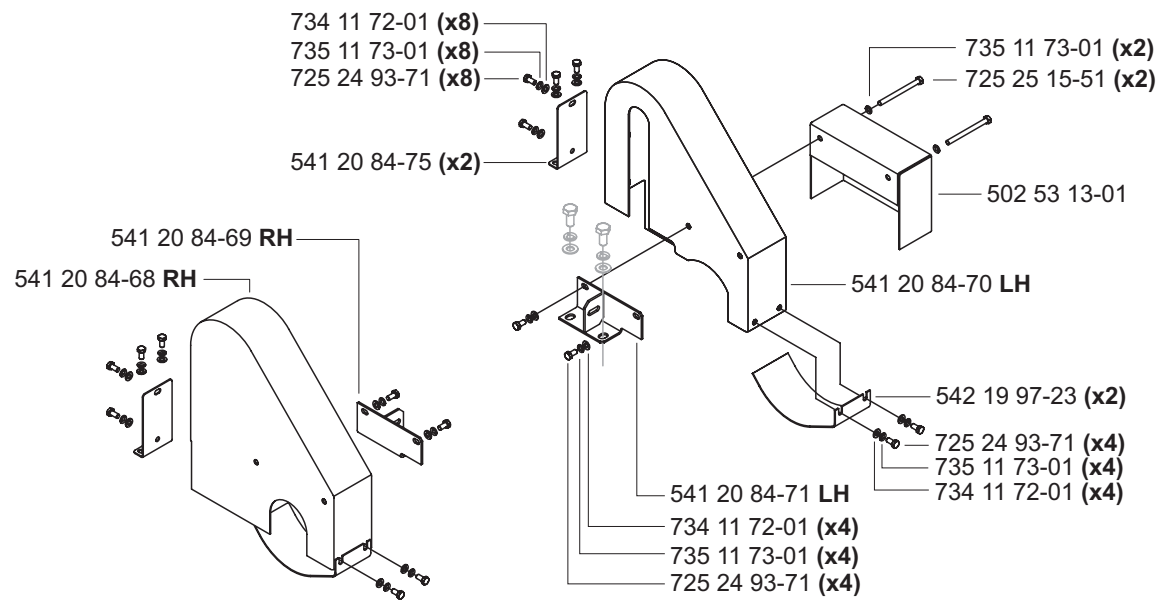
08.27.07



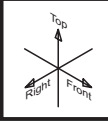
AA Frame Extension - 60" (1500mm) - FS8400



08.27.07

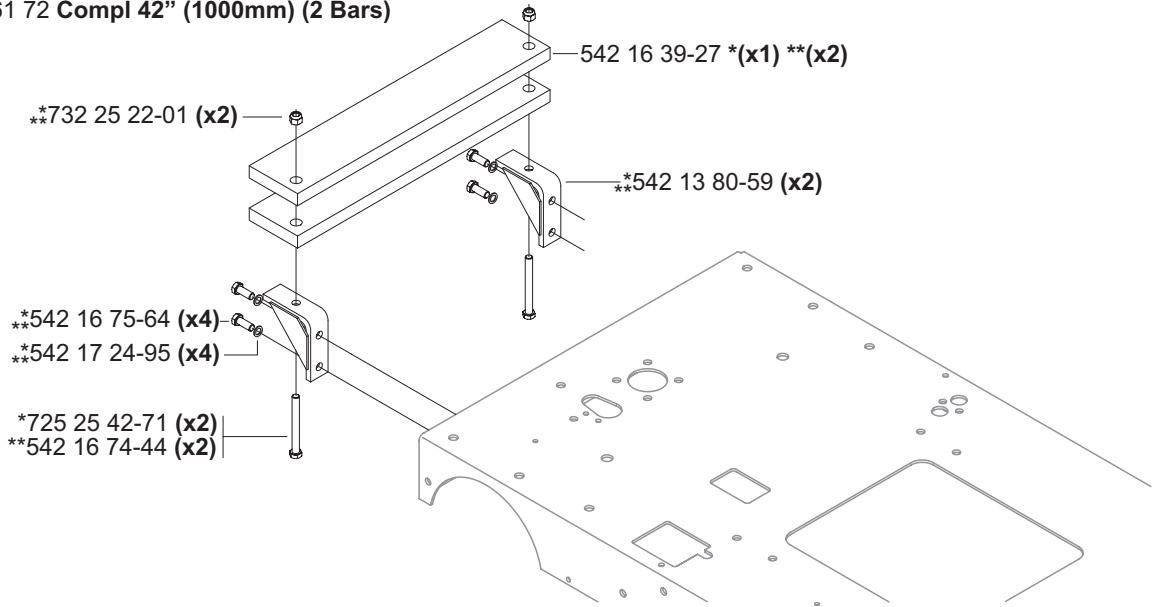


AB Weight Kit- 42"(1000mm), 48"(1200mm) & 60"(1500mm)

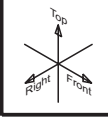


07.27.07

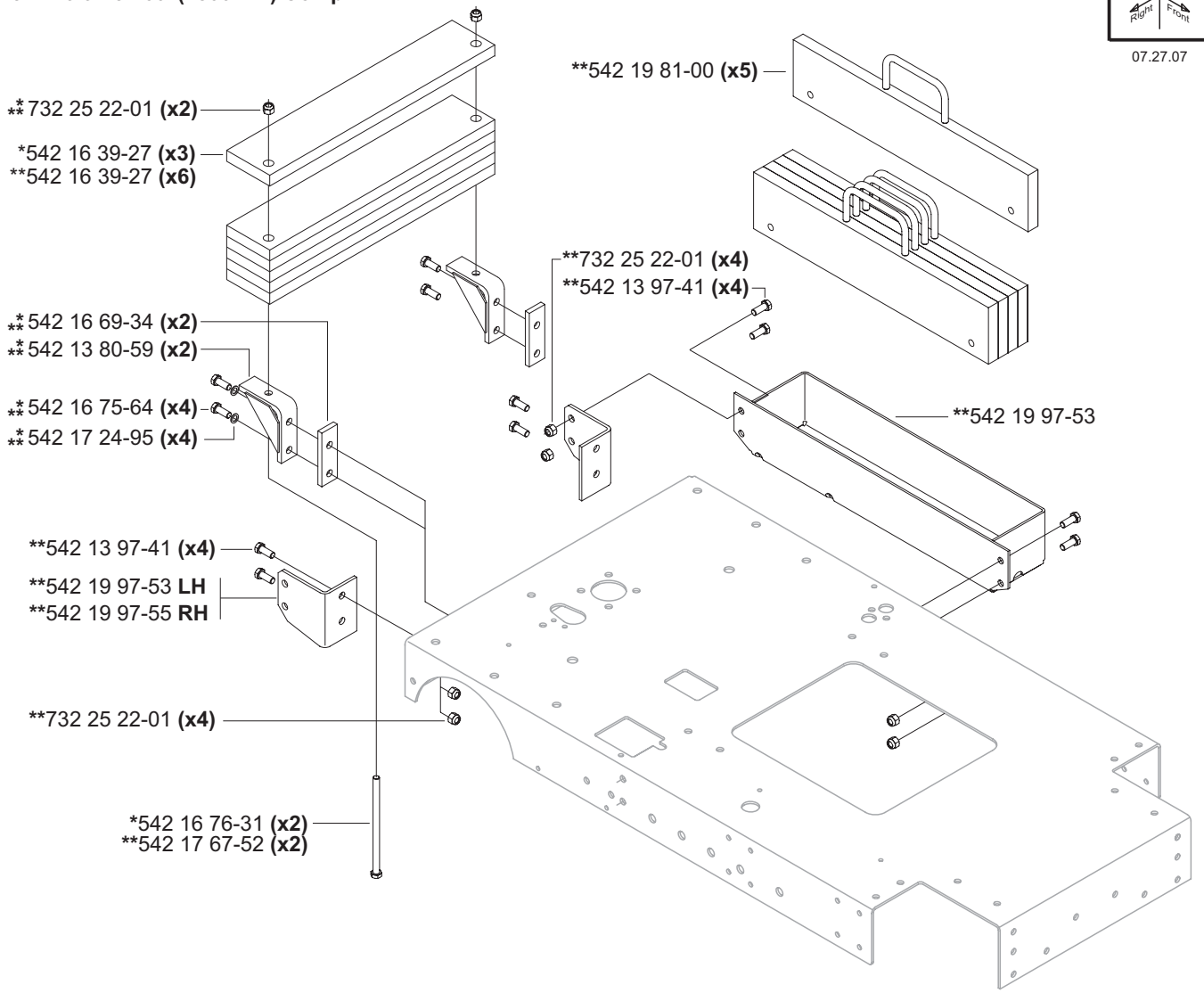
- *542 19 61 71 Compl (1 Bar)
- **542 19 61 72 Compl 42" (1000mm) (2 Bars)



- *542 19 80-22 48"(1200mm) Compl
- **542 19 97-57 60"(1500mm) Compl



07.27.07



Husqvarna Construction Products N. A.
Corporate Office
17400 West 119th Street
Olathe, Kansas 66061
Tel. 913-928-1000
Fax 913-438-7951

Customer Service: 800-288-5040
Customer Serv. Fax: 800-825-0028



DUST WARNING



Cutting, especially when DRY cutting, generates dust that comes from the material being cut, which frequently contains silica. Silica is a basic component of sand, quartz, brick clay, granite and numerous other minerals and rocks. Exposure to excessive amount of such dust can cause:

- Respiratory diseases (affecting your ability to breath), including chronic bronchitis, silicosis and pulmonary fibrosis from exposure to silica. These diseases may be fatal;
- Skin irritation and rash; and
- Cancer according to NTP* and IARC*
* National Toxicology Program / International Agency for Research on Cancer

Take precautionary steps

- Avoid inhalation of and skin contact with dust, mist and fumes;
- Wet cut when feasible, to minimize dust;
- Wear and ensure that all bystanders wear appropriate respiratory protection such as dust masks designed to filter out microscopic particles. (See OSHA 29 CFR Part 1910.1200)

California Prop 65 Warning:

Use of this product can cause exposure to materials known to the State of California to cause cancer and/or birth defects or other reproductive harm.



Printed in the USA