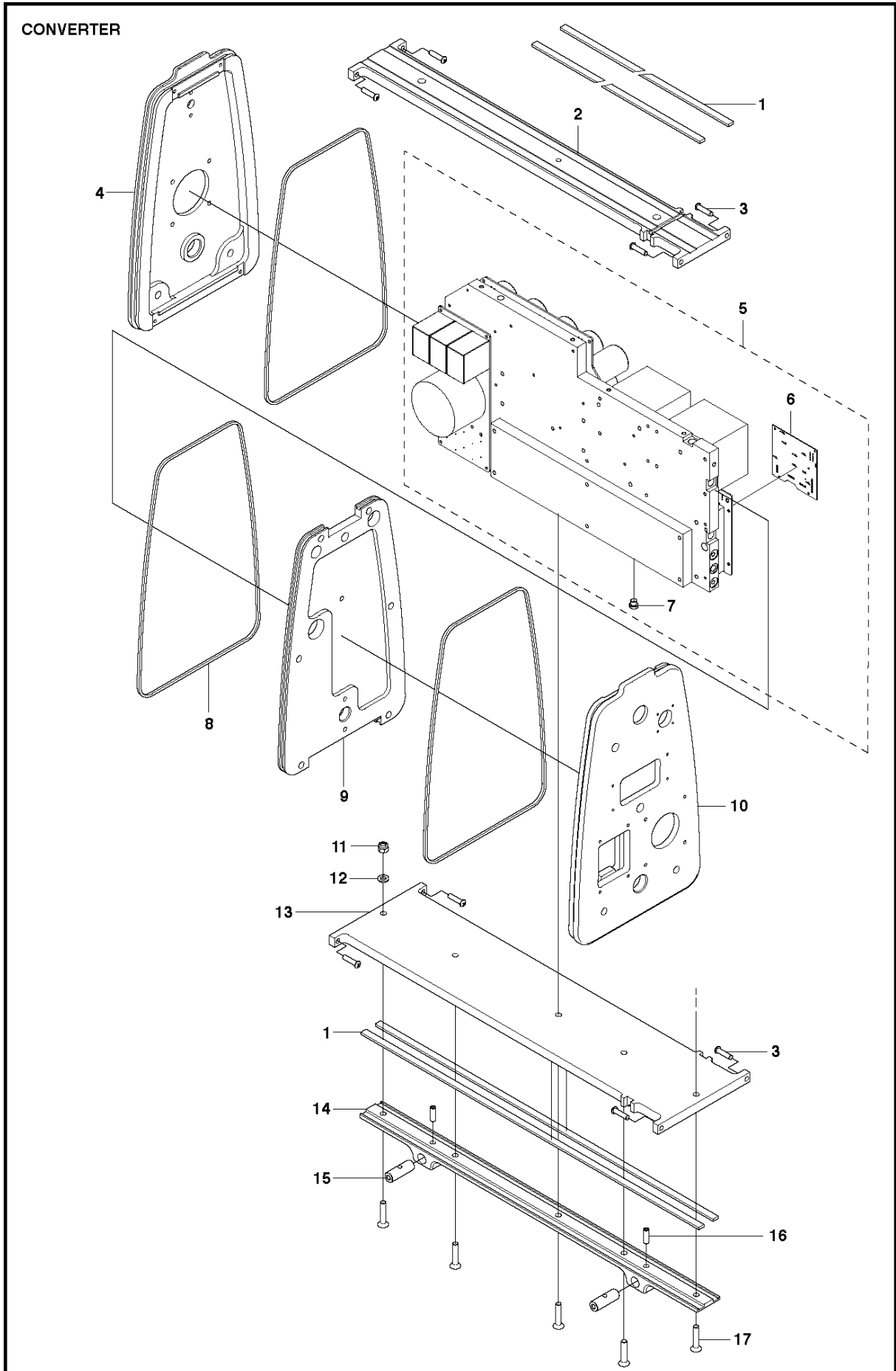




SPARE PARTS LIST

POWER PACKS

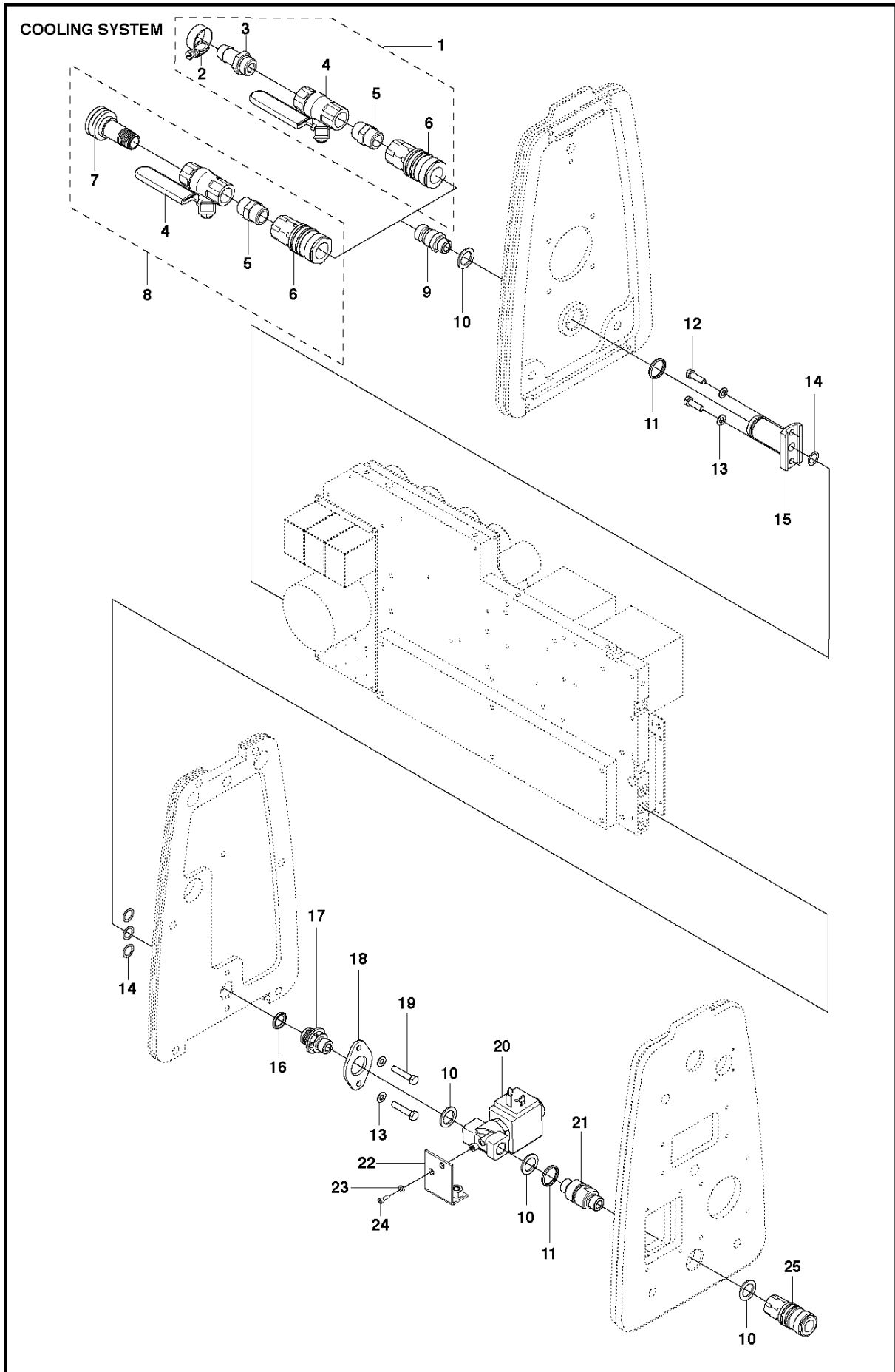
PP 480, Valid from 20134402530, 2013-11



CONVERTER

PP 480, Valid from 20134402530, 2013-11

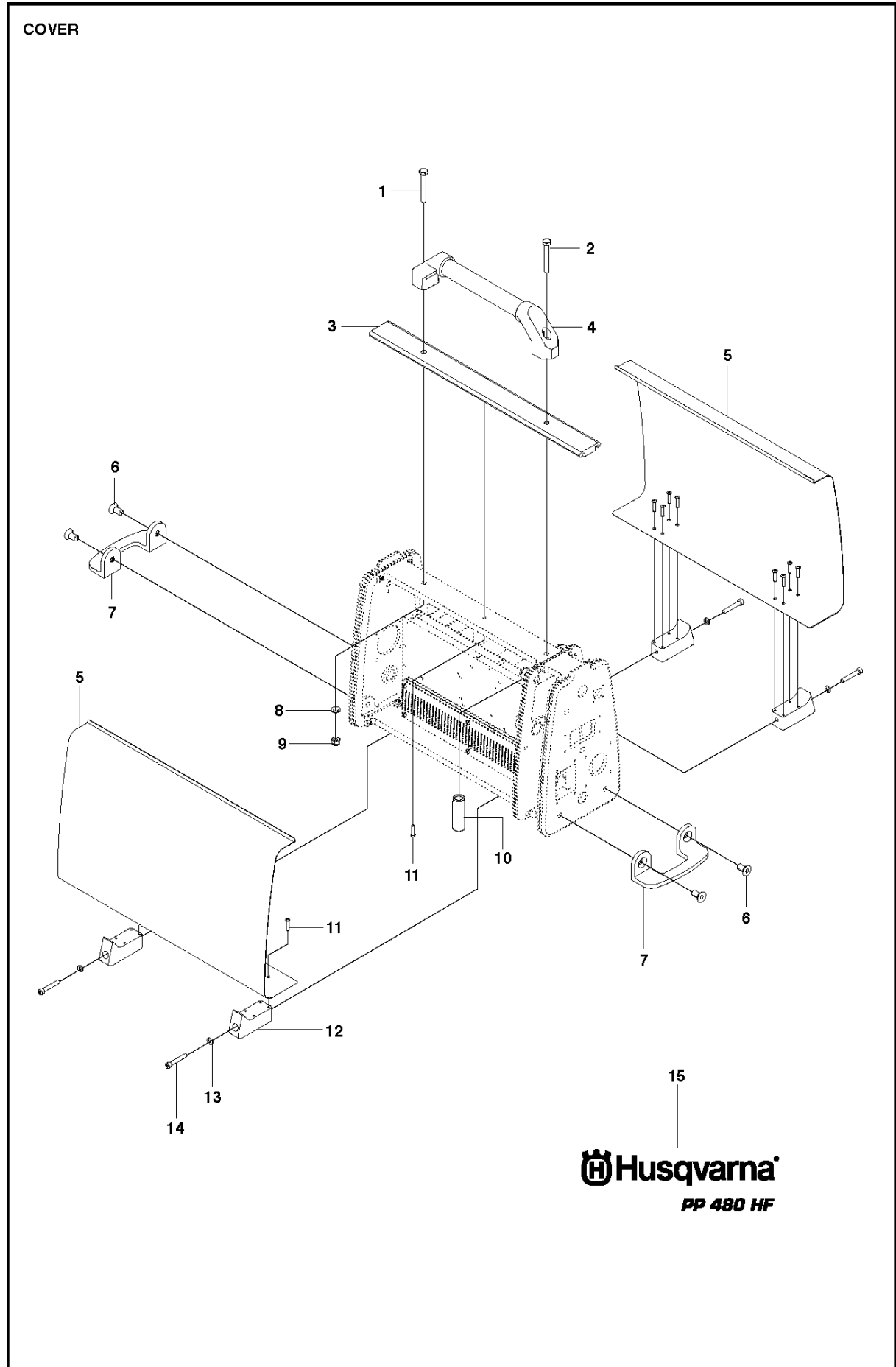
Ref	Part No	Description	Remark	QTY KIT
1	505 52 85-02	SEALING STRIP		4
2	522 61 53-01	SUPPORT PLATE		1
3	575 61 74-03	SCREW		8
4	531 12 34-00	END COVER, INVARD		1
5	581 48 70-02	PRINTED CIRCUIT ASSY	Incl. 6 - 7	1
6	587 02 08-01	PRINTED CIRCUIT ASSY		1
7	531 11 93-37	PLUG		1
8	505 26 61-01	O-RING		3
9	531 12 34-02	PARTITION		1
10	584 83 36-01	GABLE	5-pin	1
10	584 83 36-02	GABLE	4-pin	1
11	732 25 16-01	HEXAGON LOCKING NUT		1
12	734 11 52-01	WASHER		1
13	522 61 52-01	BASEPLATE		1
14	522 61 60-01	GABLE		1
15	531 12 34-17	LOCKING SLEEVE		2
16	728 73 70-05	STOP SCREW		2
17	725 63 74-51	SCREW		5



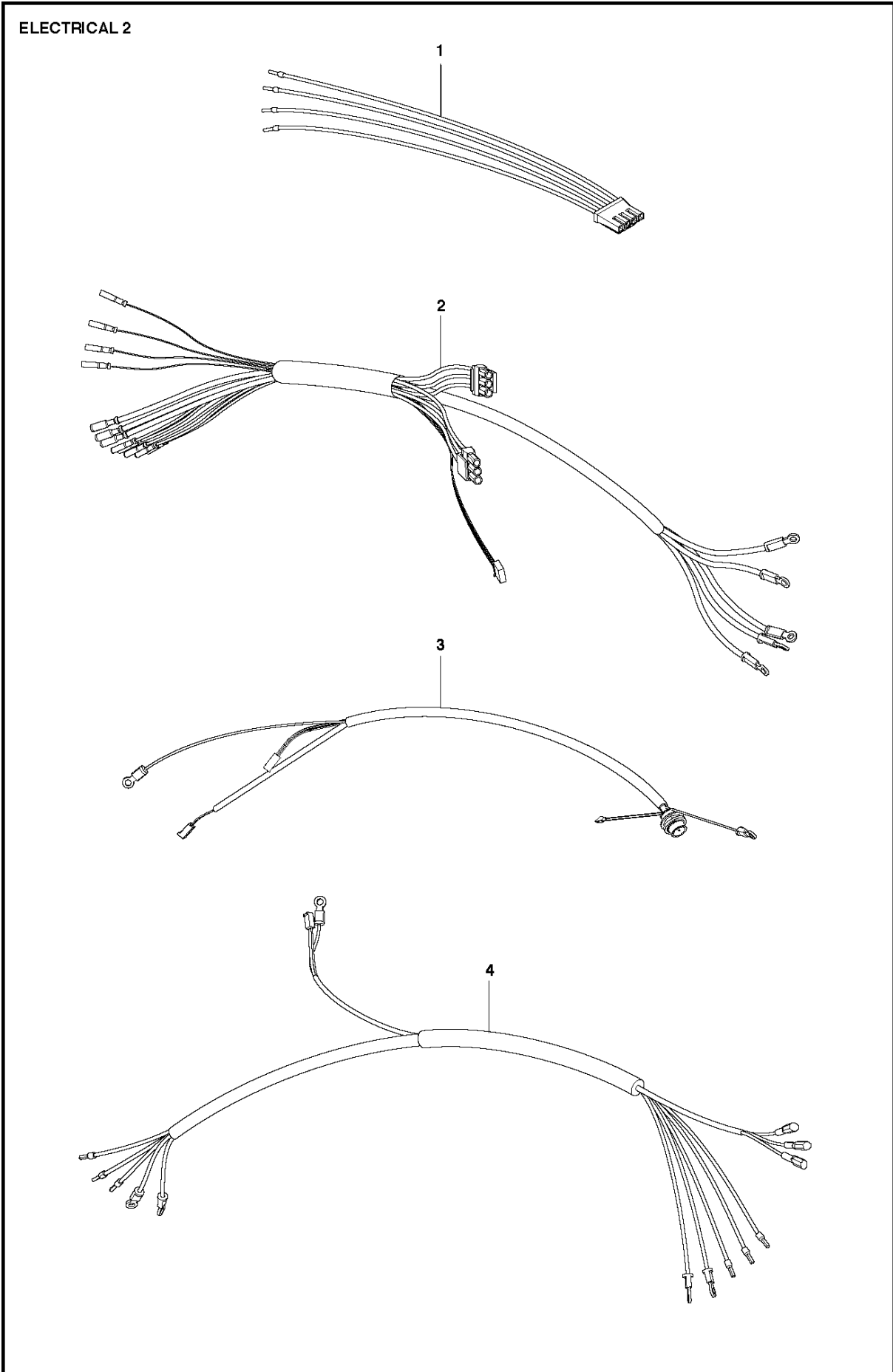
COOLING SYSTEM

PP 480, Valid from 20134402530, 2013-11

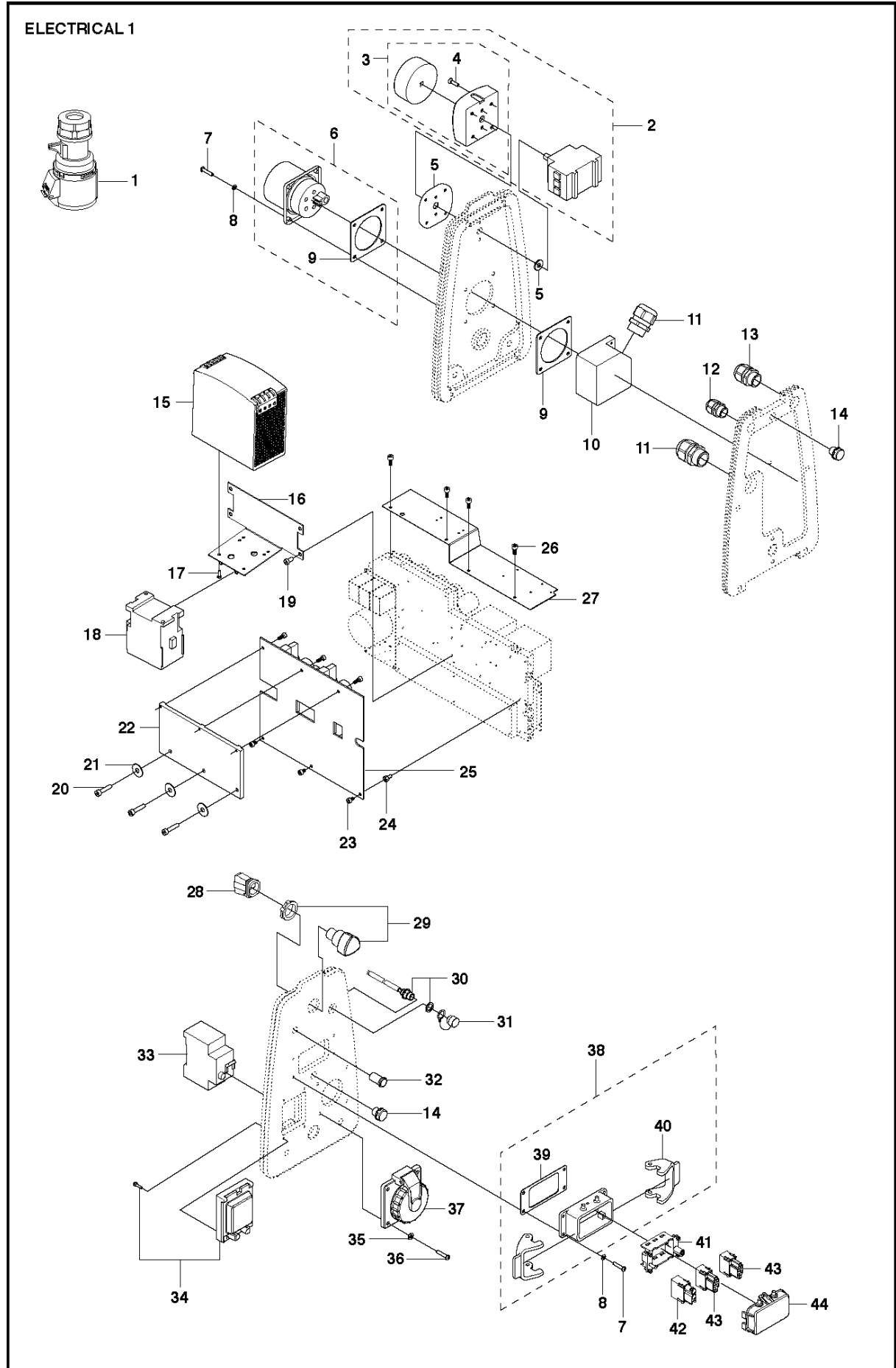
Ref	Part No	Description	Remark	QTY KIT
1	505 42 42-01	VALVE ASSY	Incl. 2 - 6	1
2	531 11 90-14	HOSE CLAMP		1
3	531 11 80-05	NIPPLE		1
4	531 11 80-18	BALL		2
5	505 40 74-01	NIPPLE		2
6	531 11 80-03	HYDRAULIC COUPLING FEMA		2
7	505 56 87-01	CONNECTION		1
8	506 74 83-01	VALVE ASSY	Incl. 4 - 7	1
9	531 11 83-54	NIPPLE		1
10	740 38 27-01	SEALING WASHER		4
11	740 43 13-00	O-RING		2
12	725 53 29-01	SCREW IHSCM		2
13	734 11 46-01	WASHER		4
14	740 42 08-00	O-RING		4
15	531 12 34-10	WATER INLET		1
16	740 43 09-00	O-RING		1
17	531 12 34-11	DISTANCE		1
18	531 12 34-12	CLAMPING WASHER		1
19	725 53 33-01	SCREW IHSCM		2
20	505 52 73-01	VALVE		1
21	531 12 34-13	OUTLETT FROM WATER VALVE		1
22	574 18 48-01	ANGLE BRACKET		1
23	734 11 35-71	WASHER		2
24	725 52 85-01	SCREW IHSCM		2
25	531 11 82-19	QUICK COUPLING		1



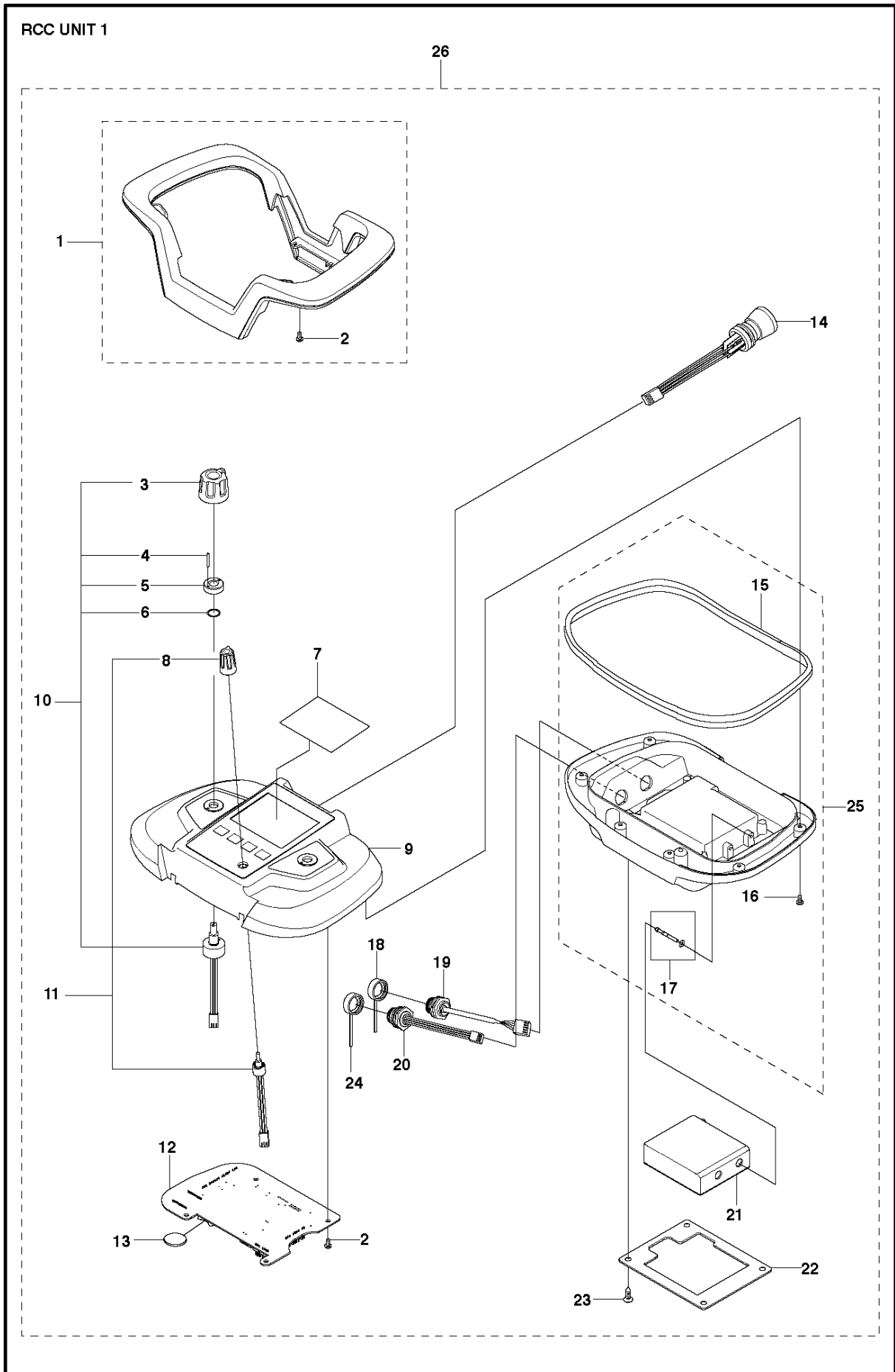
Ref	Part No	Description	Remark	QTY KIT
1	725 54 63-01	SCREW IHSCM		1
2	725 54 69-51	SCREW IHSCM		1
3	522 61 59-01	GABLE		1
4	505 52 72-01	HANDLE		1
5	522 61 61-01	SIDE PANEL		2
6	725 64 91-01	SCREW IHCSFM		4
7	531 12 33-61	PROTECTION BAR		2
8	734 11 63-01	WASHER		1
9	732 25 18-01	HEXAGON LOCKING NUT		1
10	525 58 22-01	DISTANCE		1
11	575 61 74-03	SCREW		17
12	531 12 34-16	FOOT		4
13	734 11 52-01	WASHER		4
14	725 53 78-01	SCREW IHSCM		4
15	504 02 99-12	LABEL		2



Ref	Part No	Description	Remark	QTY KIT
1	505 25 71-01	CABLE KIT		1
2	579 16 43-01	WIRING HARNESS		1
3	505 52 77-02	CABLE KIT		1
4	505 52 78-01	CABLE KIT		1



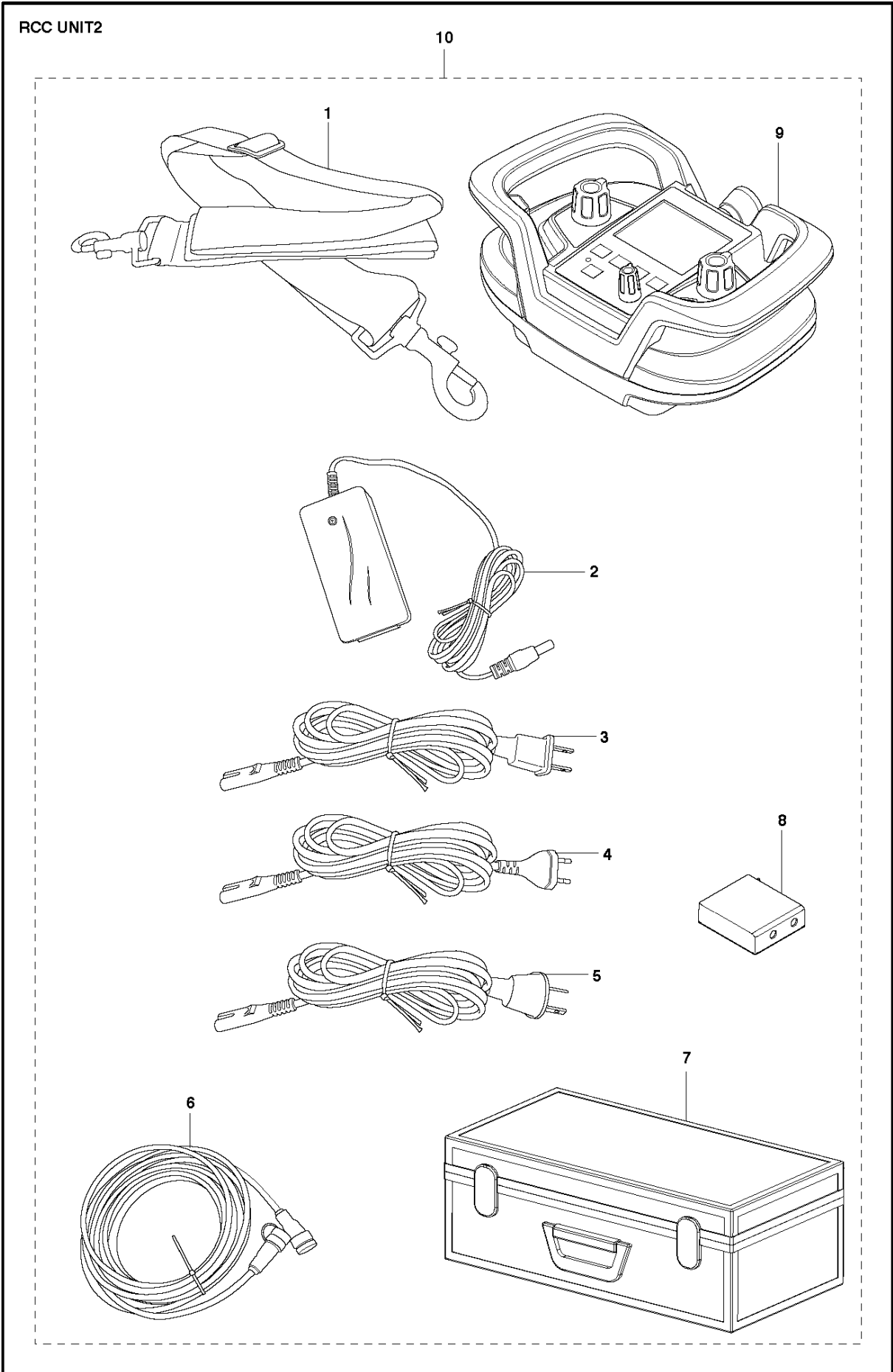
Ref	Part No	Description	Remark	QTY KIT
1	531 11 71-31	SOCKET		1
2	505 52 64-01	SWITCH	Incl. 3-4	1
3	585 56 95-01	HANDLE KIT	Incl. 4	1
4	585 57 45-01	SCREW		6
5	505 52 62-01	GASKET KIT		1
6	531 11 71-52	HOLDER	Incl. 9	1
7	575 61 74-02	SCREW		8
8	734 11 35-71	WASHER		8
9	578 31 05-01	SEALING		2
10	531 12 34-09	CONDUIT ENTRY		1
11	505 52 69-03	CABLE GROMMET		2
12	505 52 69-01	CABLE GROMMET		1
13	505 52 69-02	CABLE GROMMET		1
14	505 52 84-01	VENTILATING VALVE		2
15	505 52 74-01	TRANSFORMER		1
16	581 48 65-02	ANGLE BRACKET		1
17	531 11 95-86	SCREW		4
18	531 11 72-22	CONTACTOR		1
19	531 11 93-89	SCREW		4
20	725 53 31-01	SCREW IHSCM		3
21	531 11 92-60	WASHER		3
22	531 12 33-62	MOTHERBOARD HOLDER		1
23	505 52 83-01	SCREW		3
24	505 52 82-01	DISTANCE		3
25	579 65 78-01	PRINTED CIRCUIT ASSY		1
26	531 11 92-08	SCREW		4
27	522 52 50-01	ATTACHMENT PLATE		1
28	531 11 72-05	CIRCUIT BREAKER		1
29	581 64 53-01	STOP SWITCH		1
30	505 52 77-02	CABLE KIT		1
31	585 47 86-01	RUBBER PLUG		1
32	575 64 71-01	LAMP		1
33	531 11 72-08	PERSONAL SAFETY GUARD	Only 5-pin	1
34	505 52 67-01	PROTECTIVE SHUTTER	Only 5-pin	1
35	734 11 46-01	WASHER	Only 5-pin	4
36	575 61 74-03	SCREW	Only 5-pin	4
37	505 52 68-01	SOCKET	Only 5-pin	1
38	505 52 92-01	CONTACT HOUSING	Incl. 39 - 40	1
39	575 39 41-01	GASKET		1
40	505 24 70-01	SHACKLE		2
41	505 52 89-01	FRAME		1
42	505 52 88-01	CONSOLE		1
43	505 52 87-01	CONSOLE		2
44	575 33 54-01	COVER		1



REMOTE CONTROL

PP 480, Valid from 20134402530, 2013-11

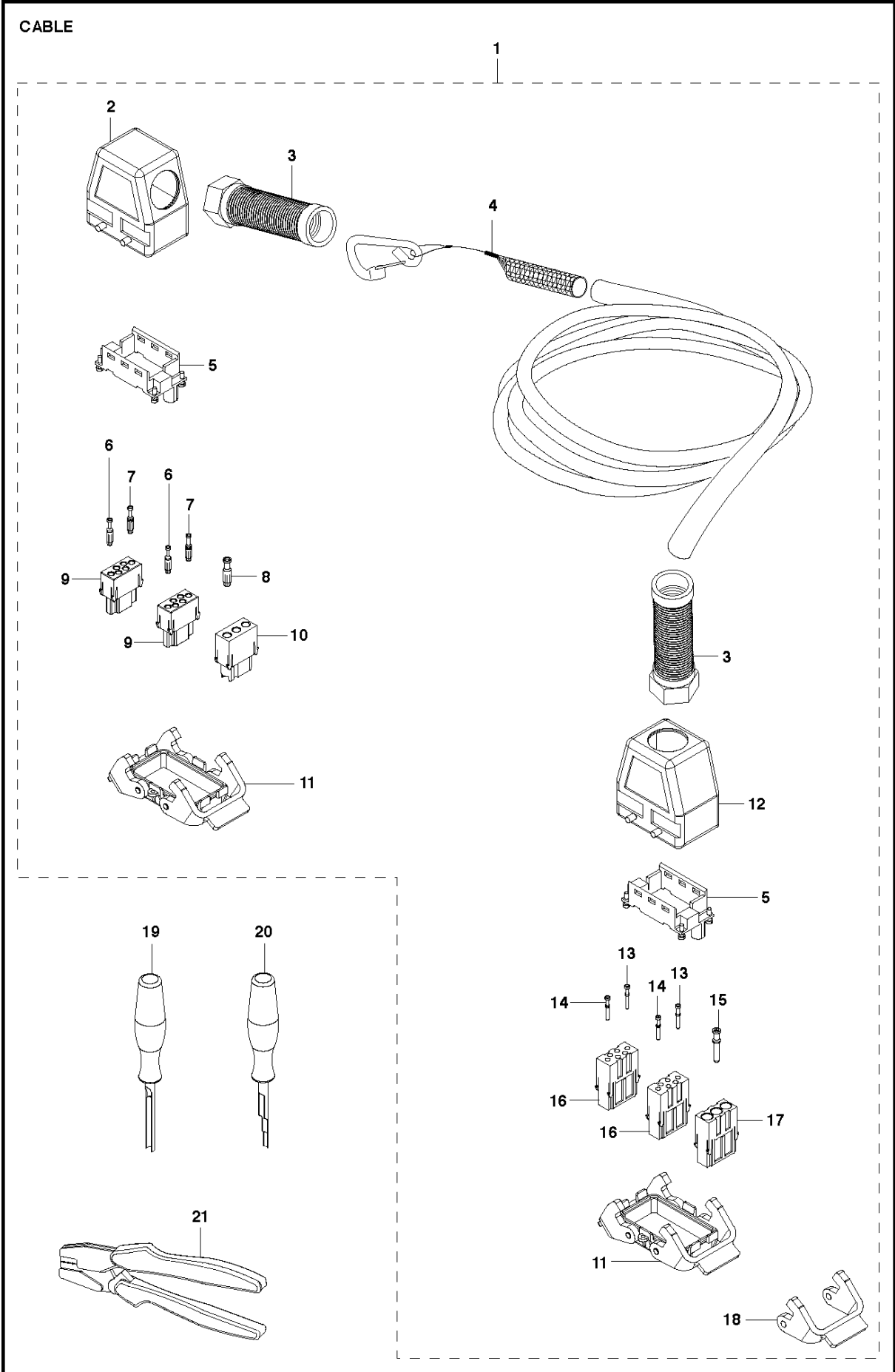
Ref	Part No	Description	Remark	QTY KIT
1	576 25 34-01	HANDLE ASSY		1
2	578 77 61-01	SCREW ITXPANT		10
3	576 25 94-01	TURNING KNOB ASSY		2
4	720 11 90-00	PARALLEL PIN		2
5	576 26 14-01	NUT		2
6	576 26 16-01	O-RING		2
7	585 30 68-01	PROTECTION		1
8	577 73 55-01	KNOB		1
9	585 96 39-01	DISPLAY	Also incl. pos 15	1
10	577 70 95-01	POTENTIOMETER		2
11	577 70 94-01	POTENTIOMETER		1
12	581 00 08-02	PRINTED CIRCUIT ASSY		1
13	577 76 37-01	BATTERY		1
14	576 81 51-01	SWITCH		1
15	576 88 80-02	SEALING STRIP		1
16	578 77 61-02	SCREW ITXPANT		8
17	577 71 10-01	SPRING PIN		2
18	575 24 22-01	LID		1
19	575 22 93-01	CONTACT	USB	1
20	576 87 78-02	CONTACT	CAN	1
21	510 10 91-01	BATTERY		1
22	510 10 85-01	COVER PLATE		1
23	523 00 52-01	SCREW CRCSFT		4
24	585 47 86-01	RUBBER PLUG		1
25	586 18 04-01	COVER		1
26	578284802	REMOTE CONTROL		1



REMOTE CONTROL ACCESSORIES

PP 480, Valid from 20134402530, 2013-11

Ref	Part No	Description	Remark	QTY KIT
1	506 29 76-61	SHOULDER STRAP		1
2	510 28 03-01	BATTERY		1
3	510 28 07-02	CABLE	US	1
4	510 28 07-01	CABLE	Eu	1
5	510 28 07-04	CABLE	Australia	1
6	577 05 99-02	CABLE ASSY		1
7	577 75 86-01	BOX		1
8	510 10 91-01	BATTERY		1
9	578284802	REMOTE CONTROL		1
10	586 11 50-01	CONTROL UNIT	Incl. 1 - 10	1



WIRING HARNESS

PP 480, Valid from 20134402530, 2013-11

Ref	Part No	Description	Remark	QTY KIT
1	579 16 44-01	CABLE	Incl. 2-18	1
2	522 93 14-01	COVER		1
3	575 95 08-01	CABLE GROMMET		2
4	580 76 33-01	CABLE HOLDER		1
5	522 93 15-01	FRAME		1
6	522 93 18-01	CONTACT PIN	Female 0,75mm ²	4
7	531 11 73-62	CONTACT PIN	Female 2,5mm ²	8
8	522 93 17-01	CONTACT PIN	Female 4mm ²	3
9	505 52 87-01	CONSOLE		2
10	505 52 88-01	CONSOLE		1
11	505 32 70-01	COVER		1
12	522 93 20-01	COVER		1
13	531 11 73-20	CONTACT PIN	Male 2,5mm ²	8
14	522 93 08-01	CONTACT PIN	Male 0,75mm ²	4
15	522 93 22-01	CONTACT PIN	Male 4mm ²	3
16	522 93 07-01	CONSOLE		2
17	522 93 21-01	CONSOLE		1
18	505 24 70-01	SHACKLE		4
19	522 93 43-01	TOOL	0,75-2,5mm ²	1
20	522 93 44-01	TOOL	4mm ²	1
21	522 93 41-01	TOOL		1