

PP 440 HF

Reservdelar

Spare parts

Ersatzteile

Pieces de rechange

Piezas de repuesto

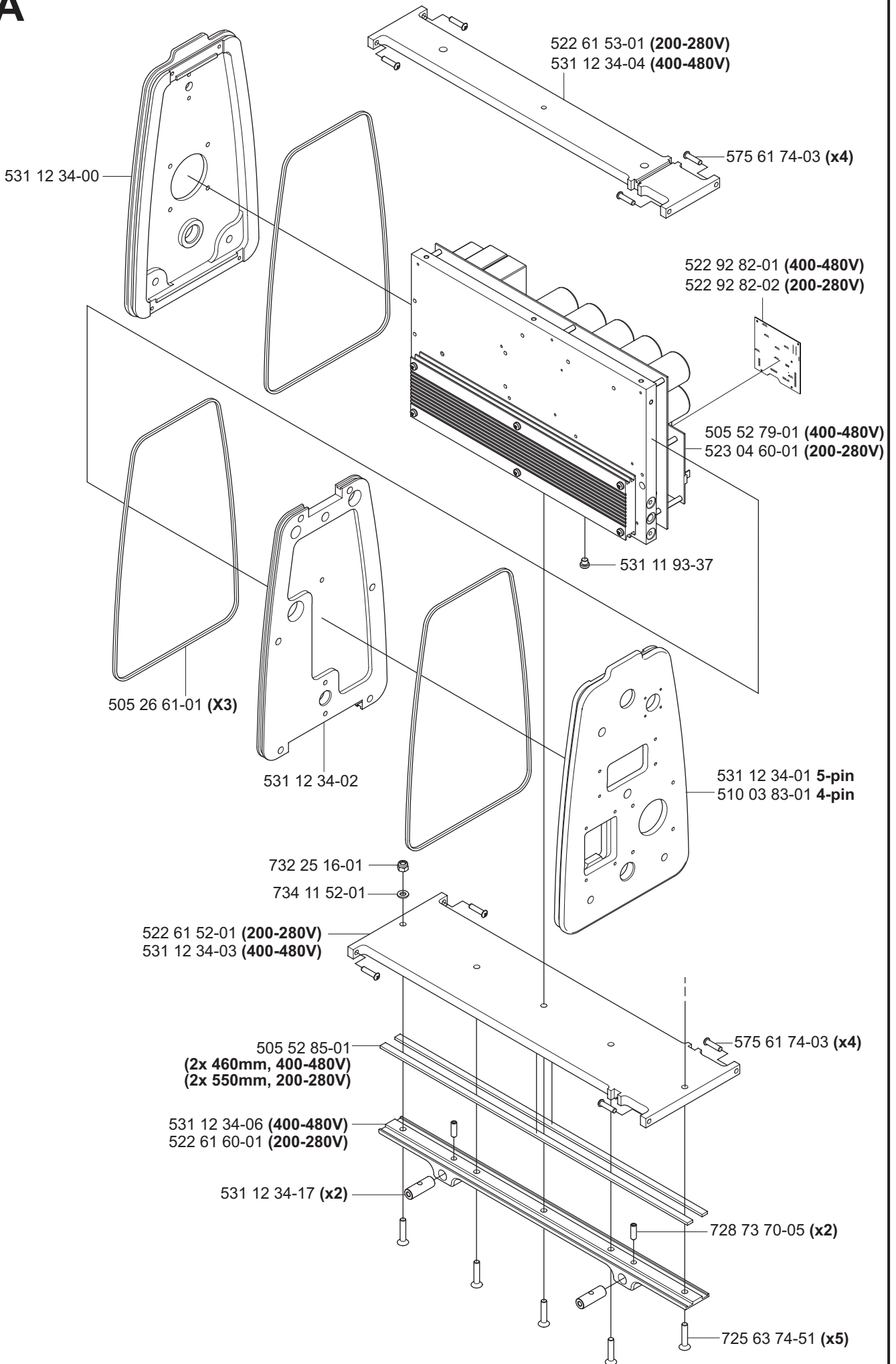
Ricambi

Peças sobresselente

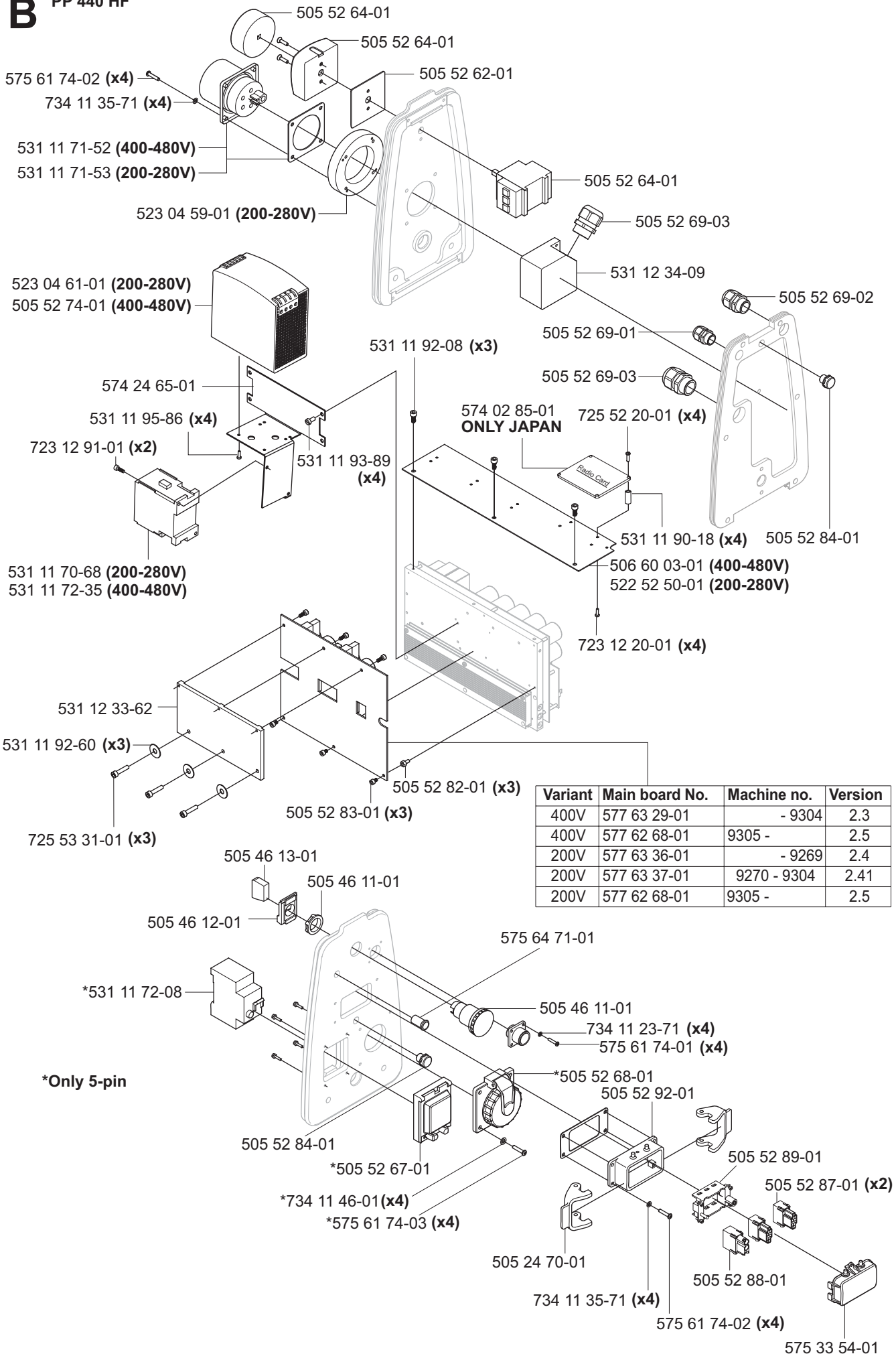
No.	Pos.	Description	No.	Pos.	Description
504 00 40-01	GG1	Type plate	531 11 71-59	GG1	Gasket
504 05 50-01	GG1	Display label	531 11 72-08	B	Personal Safety Guard
505 24 70-01	BF	Shackle	531 11 72-35	B	Contact 400-480V
505 25 71-01	E	Cable	531 11 72-40	GG1	Gasket
505 26 61-01	A	O-ring	531 11 72-51	GG1	Emergency stop
505 32 70-01	F	Cover	531 11 72-52	GG1	Circuite breaker
505 40 74-01	C	Nipple 3/8"	531 11 73-20	F	Contact pin 2,5mm ²
505 46 11-01	B	Emergency stop	531 11 73-62	F	Contact pin
505 46 12-01	B	Adapter	531 11 80-03	C	Quick coupling, female 1800 uv
505 46 13-01	B	Contact	531 11 80-05	C	Nipple 1812
505 52 62-01	B	Gasket kit	531 11 80-18	C	Ball valve 3/8
505 52 64-01	B	Switch	531 11 82-19	C	Quick coupling, female 1300 UV
505 52 67-01	B	Protctive shutter	531 11 83-54	C	Nipple 18110 with net
505 52 68-01	B	Socket	531 11 90-14	C	Hose clamp 13-20
505 52 69-01	B	Cable grommet M16	531 11 90-18	B	Distance
505 52 69-02	B	Cable grommet M20	531 11 91-26	GG1	Strap
505 52 69-03	B	Cable grommet M25	531 11 92-08	B	Screw
505 52 72-01	D	Handle	531 11 92-60	B	Washer
505 52 73-01	C	Water valve	531 11 92-85	G1	Distance
505 52 74-01	B	Transformer 400-480V	531 11 93-37	A	Plug
505 52 76-01	E	Cable kit	531 11 93-89	B	Screw MLC6S 5x10
505 52 77-01	E	Cable kit	531 11 95-86	B	Screw MRX M3x5
505 52 78-01	E	Cable kit	531 12 32-48	F	Cable
505 52 79-01	A	Printed circuit assembly	531 12 32-48	F	Cable
505 52 82-01	B	Distance	531 12 33-61	D	Bumper
505 52 83-01	B	Screw MC6S 4x5	531 12 33-62	B	Attachment plate
505 52 84-01	B	Ventilating valve	531 12 34-00	A	End cover inlet side
505 52 85-01	A	Sealing strip	531 12 34-01	A	End cover outlet side 5-pin
505 52 87-01	BF	Consol 6-pole	531 12 34-02	A	Partition
505 52 88-01	BF	Consol 3-pole	531 12 34-03	A	Base plate
505 52 89-01	B	Frame	531 12 34-04	A	Upper support
505 52 92-01	B	Contact housing	531 12 34-05	D	Cover strip upper
505 56 87-01	C	Water connection	531 12 34-06	A	Cover strip lower
506 60 03-01	B	Attachment plate	531 12 34-09	B	Conduit entry
506 74 83-01	C	Valve Assembled	531 12 34-10	C	Water inlet connection
510 03 83-01	A	End cover outlet side 5-pin 4-pin	531 12 34-11	C	Distance coupling
522 52 50-01	B	Plate	531 12 34-12	C	Clamping washer
522 61 52-01	A	Base plate	531 12 34-13	C	Water connection
522 61 53-01	A	Upper support	531 12 34-15	D	Box side
522 61 59-01	D	Gable top	531 12 34-16	D	Foot
522 61 60-01	A	Cover strip lower	531 12 34-17	A	Locking sleeve
522 61 61-01	D	Box side	531 14 20-11	GG1	Control plate
522 92 82-01	A	Printed circuit assy 400-480V	531 14 20-13	GG1	Potentiometer nut
522 92 82-02	A	Printed circuit assy 200-280V	531 14 20-62	GG1	Remote box
522 93 07-01	F	Module 6-pin	531 14 20-92	G1	Charger cable
522 93 08-01	F	Contact pin 0,75mm ²	574 02 85-01	BG1	Radio card
522 93 14-01	F	Housing	574 18 48-01	C	Bracket
522 93 15-01	F	Frame	574 24 65-01	B	Angle bracket
522 93 17-01	F	Contact pin	575 33 54-01	B	Cover
522 93 18-01	F	Contact pin	575 61 74-01	B	Screw
522 93 20-01	F	Housing	575 61 74-02	B	Screw
522 93 21-01	F	Module 3-pin	575 61 74-03	ABD	Screw
522 93 22-01	F	Contact pin	575 64 71-01	B	Lamp
522 93 41-01	F	Pliar	575 95 08-01	F	Cable grommet
522 93 43-01	F	Removal tool	577 62 68-01	B	Main board PP440/480HF v2.5
522 93 44-01	F	Removal tool	577 62 69-01	GG1	Control board PP440/480HF v2.4
523 04 59-01	B	Adapter	577 62 70-01	G1	Control b. PP440/480HF v2.31
523 04 60-01	A	Printed circuit assy 200-280V	577 62 70-02	G1	Control b. PP440/480HF v2.32
523 04 61-01	B	Transformer 200-280V	577 63 29-01	B	Main board PP440HF v2.3
525 58 22-01	D	Distance	577 63 36-01	B	Main board PP440/480HF v2.4
531 11 50-12	GG1	Can bus cable 6m	577 63 37-01	B	Main board PP440/480HF v2.41
531 11 51-83	GG1	Potentiometer knob compl.	577 63 38-01	G	Control board PP440HF v2.2
531 11 52-38	G1	Battery charger	577 63 60-01	G	Remote control PP440HF v2.2
531 11 70-34	GG1	Cannon connector	577 63 61-01	G1	Remote c. PP440/480HF v2.31
531 11 70-67	GG1	Connection block NO	577 63 61-02	G1	Remote c. PP440/480HF v2.32
531 11 70-68	B	Contact 200-280V	577 63 62-01	G	Remote c. PP440HF v2.4
531 11 70-96	GG1	Potentiometer remote control	577 65 21-01	G1	Remote c. PP440/480HF v2.4
531 11 71-44	GG1	Push-button	723 12 20-01	B	Screw MCS 3x6
531 11 71-52	B	Electric inlet 32A 400V	723 12 24-01	GG1	Screw MCS 3x10
531 11 71-53	B	Electric inlet 63A 200-280V	723 12 91-01	B	Screw MCS 4x12

No.	Pos.	Description	No.	Pos.	Description
723 52 28-01	GG1	Screw MFS 3x16			
725 52 20-01	B	Screw MC6S 3x6			
725 52 85-01	C	Screw MC6S 4x6			
725 53 29-01	C	Screw MC6S M5x16			
725 53 31-01	B	Screw MC6S 5x20			
725 53 33-01	C	Screw MC6S 5x25			
725 53 78-01	D	Screw MC6S 6x40			
725 54 63-01	D	Screw MC6S 8x60			
725 54 69-51	D	Screw MC6S 8x90			
725 63 74-51	A	Screw MF6S 6x30 10.9			
725 64 91-01	D	Screw MF6S 10x20			
728 73 70-05	A	Stop screw S6SS 6x20			
731 23 10-01	GG1	Nut M3			
732 25 16-01	A	Nut M6 Nylock			
732 25 18-01	D	Nut M8 Nylock			
734 11 23-71	B	Washer 3.2x6			
734 11 35-71	BC	Washer 4.3x8			
734 11 46-01	BC	Washer 5,3x10x1			
734 11 52-01	AD	Washer 6.4x12			
734 11 63-01	D	Washer 8.4x16			
740 38 27-01	C	Sealing ring 1/4			
740 42 08-00	C	O-ring 10,1x1,6			
740 42 17-00	GG1	O-ring 19,1x1,6			
740 43 09-00	B	O-ring 11,3x2,4			
740 43 13-00	C	O-ring 15,3x2,4			

A PP 440 HF



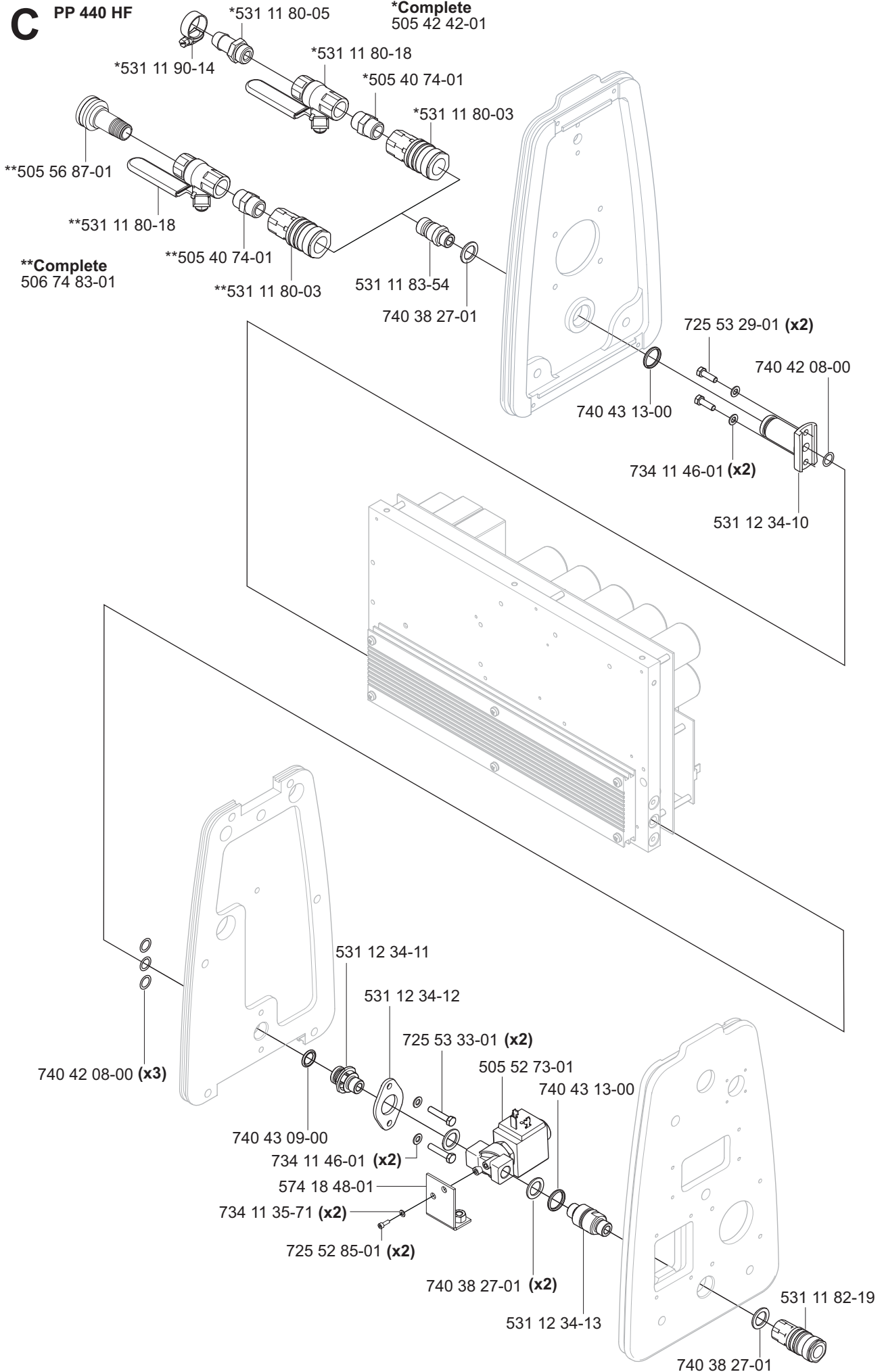
B PP 440 HF



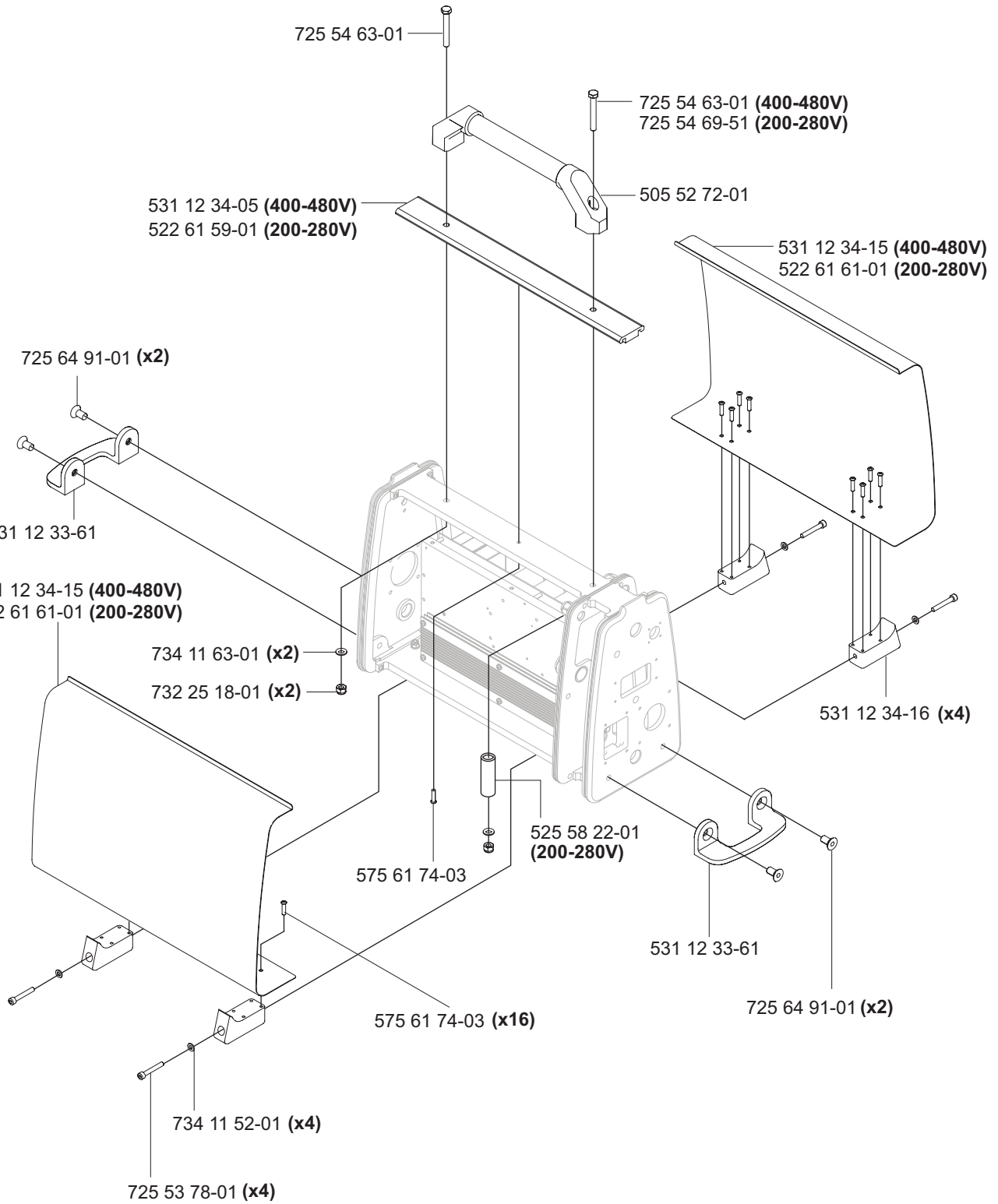
C

PP 440 HF

***Complete**
505 42 42-01



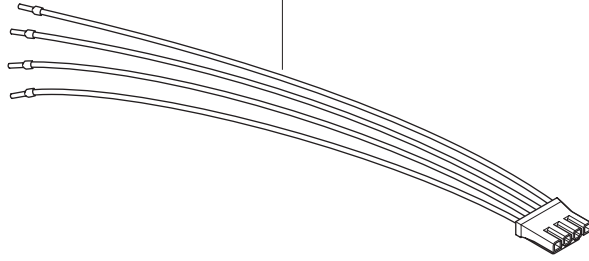
D PP 440 HF



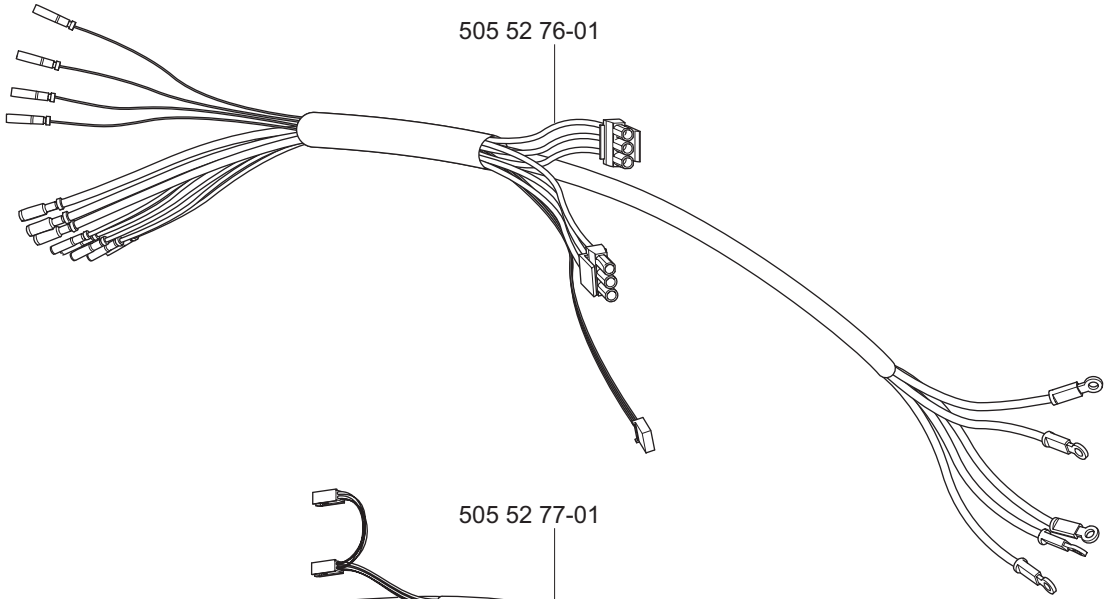
E

PP 440 HF

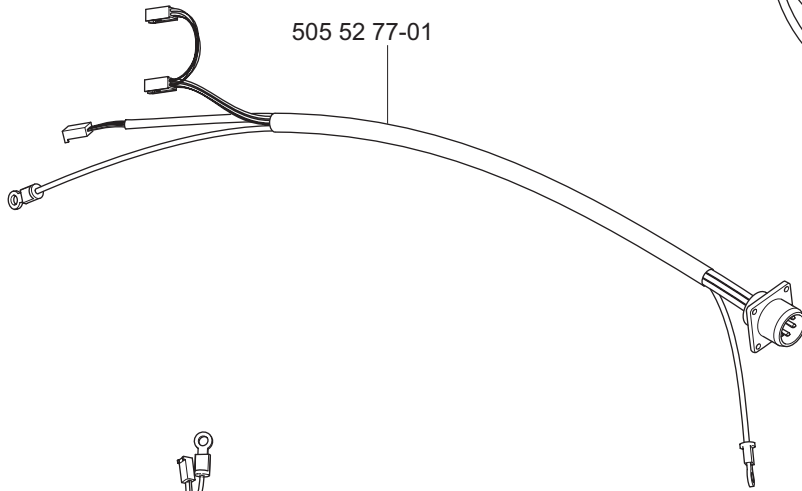
505 25 71-01



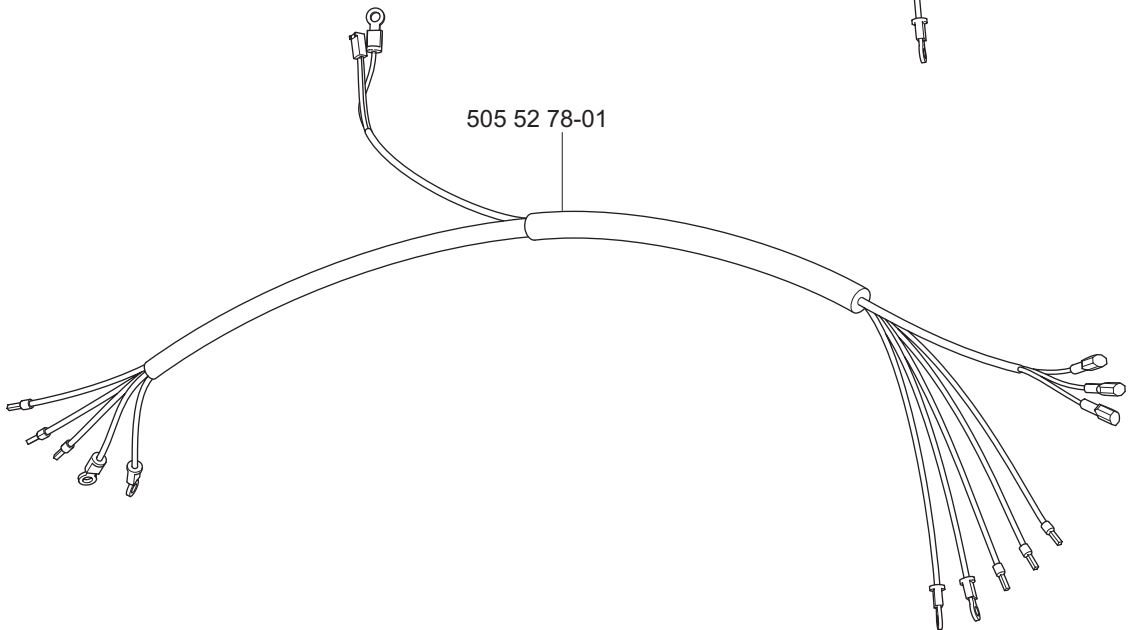
505 52 76-01



505 52 77-01



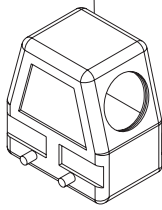
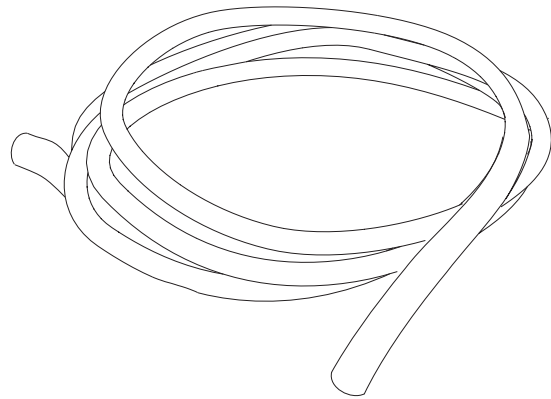
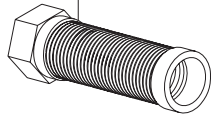
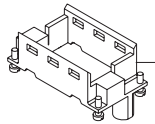
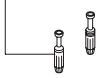
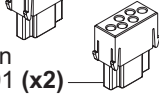
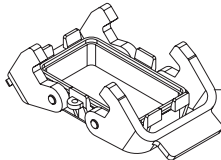
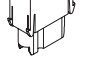
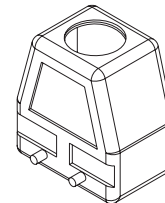
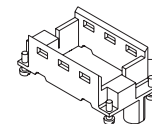
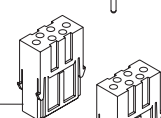
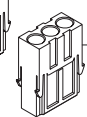
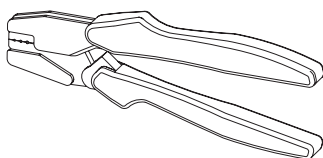
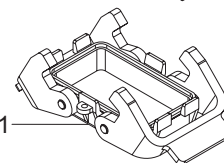
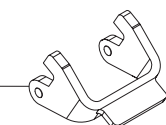
505 52 78-01



F

PP 440 HF

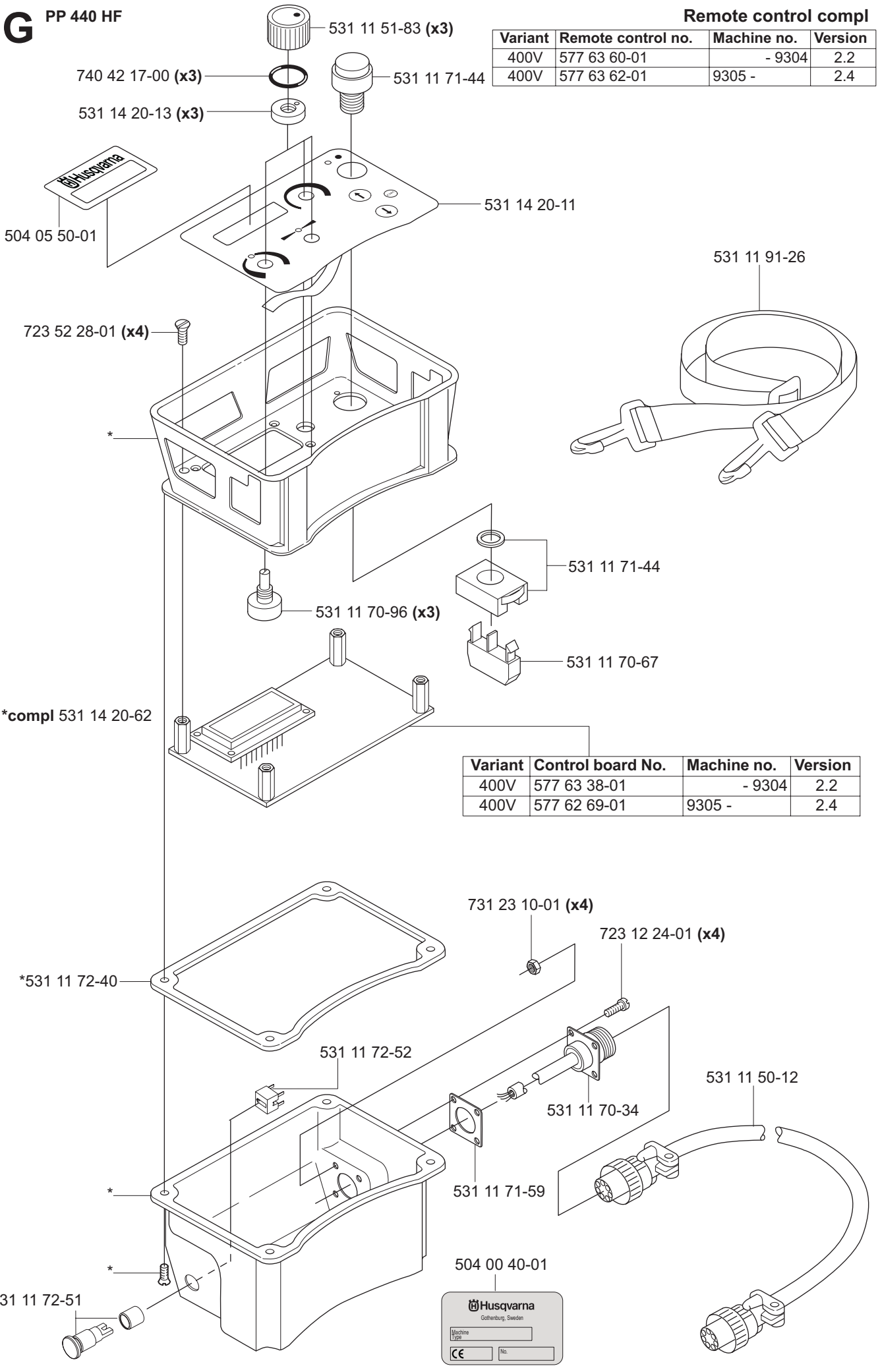
Cable complete 531 12 32-48

Housing
522 93 14-01Cable grommet
575 95 08-01Frame
522 93 15-01Contact pin
female 0,75mm²
522 93 18-01 (x4)Contact pin female
2,5mm² 531 11 73-62 (x8)Contact pin female 4mm²
522 93 17-01 (x3)Module 6-pin
505 52 87-01 (x2)Module 3-pin
505 52 88-01Cover
505 32 70-01Cable grommet
575 95 08-01Housing
522 93 20-01Removal tool for
contact pins 0,75-2,5mm²
522 93 44-01Removal tool for
contact pins 4mm²
522 93 43-01Frame
522 93 15-01Contact pin male 2,5mm²
531 11 73-20 (x8)
Contact pin male 0,75mm²
522 93 08-01 (x4)Contact pin male 4mm²
522 93 22-01 (x3)Module 6-pin
522 93 07-01 (x2)Module 3-pin
522 93 21-01Cover
505 32 70-01Pliar for contact pins
522 93 41-01Shackle
505 24 70-01

G PP 440 HF

Remote control compl

Variant	Remote control no.	Machine no.	Version
400V	577 63 60-01	- 9304	2.2
400V	577 63 62-01	9305 -	2.4



504 05 50-01

740 42 17-00 (x3)

531 14 20-13 (x3)

531 11 51-83 (x3)

531 11 71-44

531 14 20-11

531 11 91-26

723 52 28-01 (x4)

*

531 11 71-44

531 11 70-96 (x3)

531 11 70-67

*compl 531 14 20-62

Variant	Control board No.	Machine no.	Version
400V	577 63 38-01	- 9304	2.2
400V	577 62 69-01	9305 -	2.4

*531 11 72-40

731 23 10-01 (x4)

723 12 24-01 (x4)

531 11 72-52

531 11 70-34

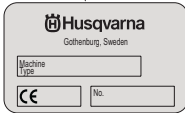
531 11 50-12

*

531 11 71-59

504 00 40-01

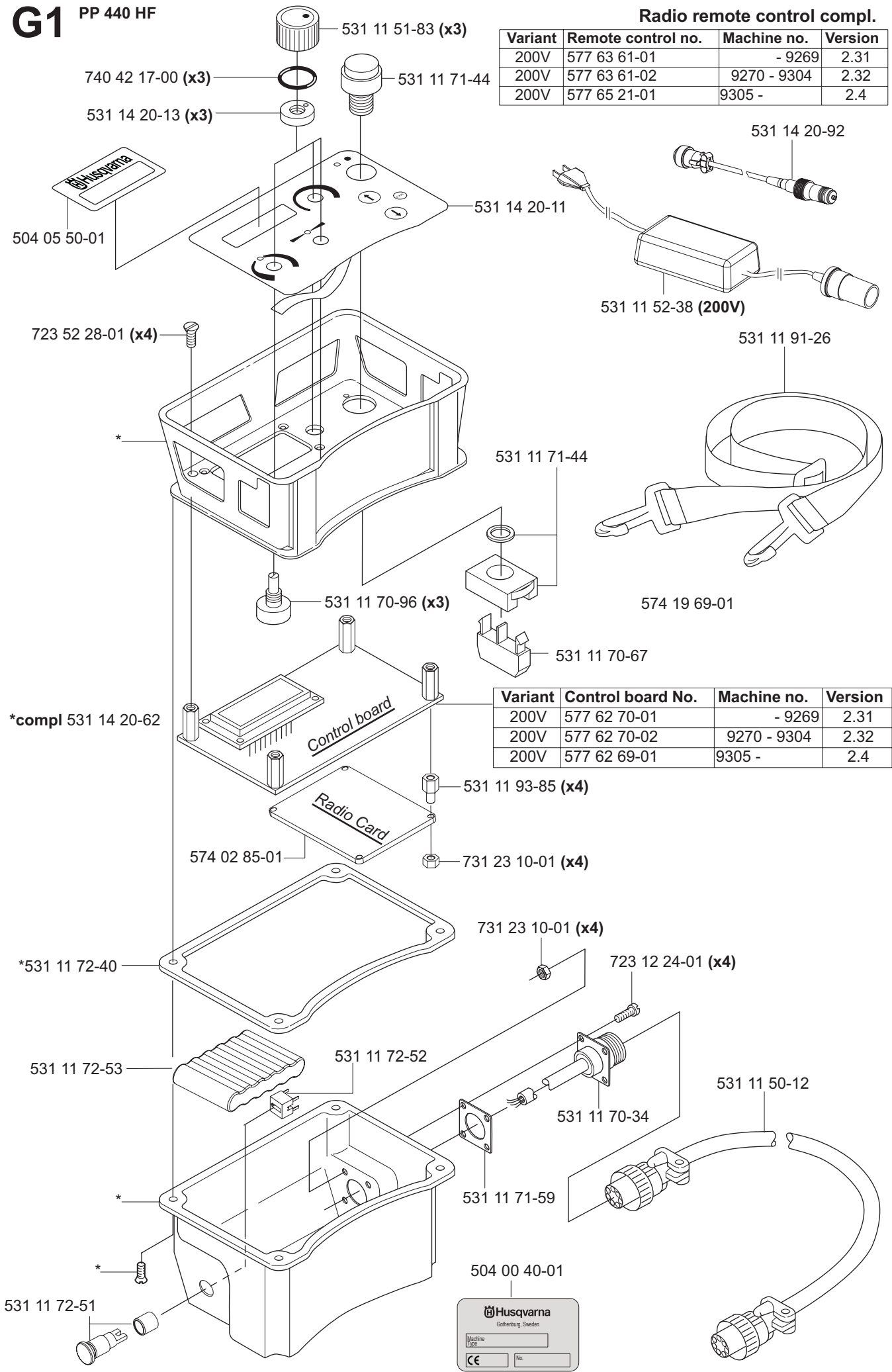
531 11 72-51



G1 PP 440 HF

Radio remote control compl.

Variant	Remote control no.	Machine no.	Version
200V	577 63 61-01	- 9269	2.31
200V	577 63 61-02	9270 - 9304	2.32
200V	577 65 21-01	9305 -	2.4



Variant	Control board No.	Machine no.	Version
200V	577 62 70-01	- 9269	2.31
200V	577 62 70-02	9270 - 9304	2.32
200V	577 62 69-01	9305 -	2.4